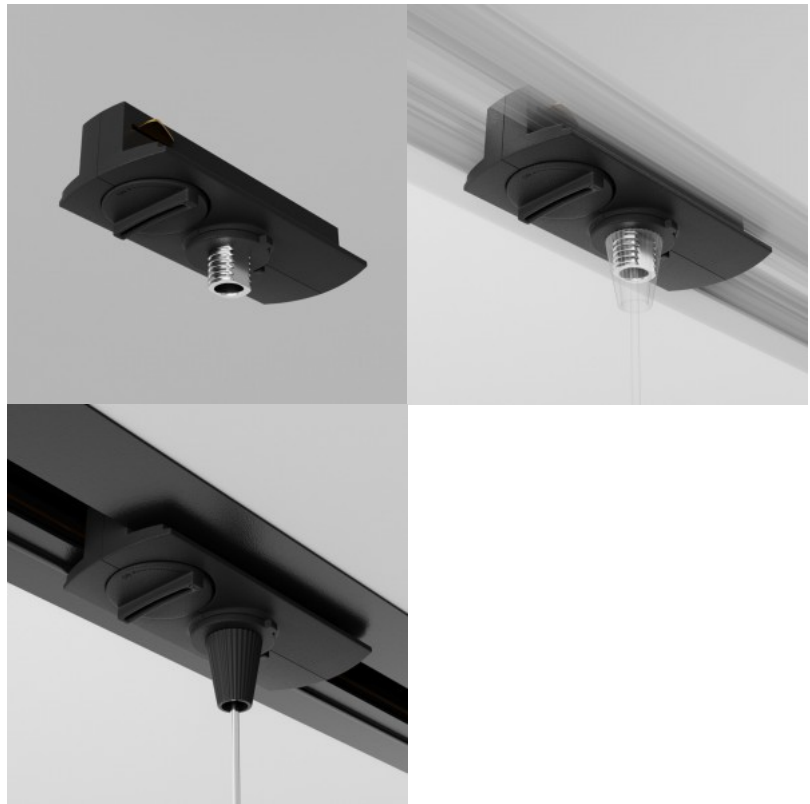


Track lighting accessory Maytoni 1-phase adapter Unity black

Product code 18543

Brand Maytoni
Height 30.0mm
Width 82.0mm
Length 32.0mm
Casing colour black



Track lighting accessory Maytoni 1-phase adapter white

Product code 18541

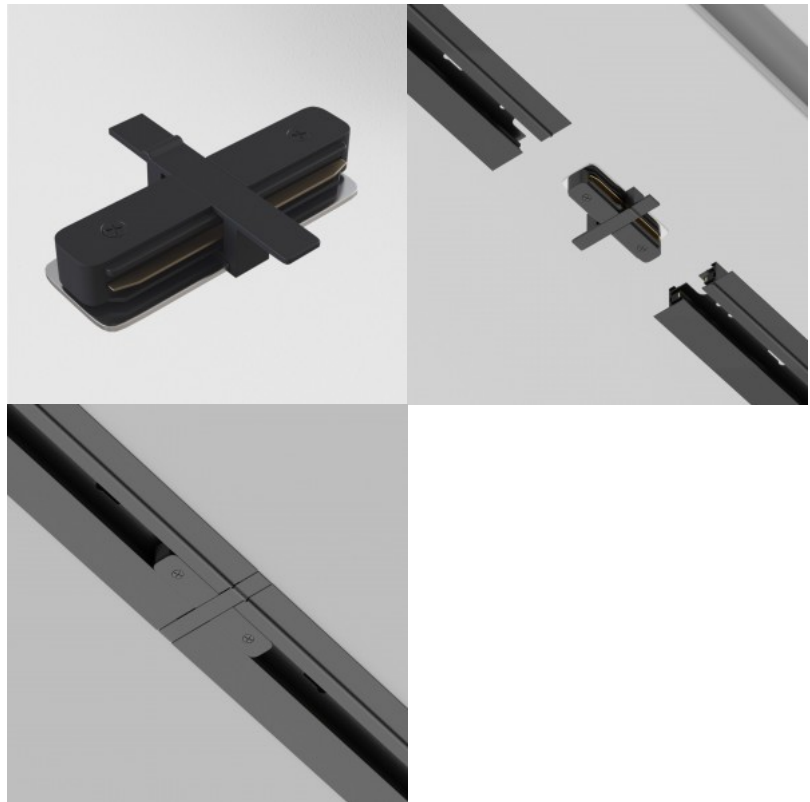
Brand Maytoni
Height 30.0mm
Width 82.0mm
Length 32.0mm
Casing colour white
Casing material plastic
Work environment indoor use



1-phase track accessory Maytoni 1-phase connector black

Product code 20498

Brand Maytoni
Height 20.0mm
Width 80.0mm
Length 60.0mm
Casing colour black
Casing material aluminium
Work environment indoor use



1-phase track accessory Maytoni 1-phase flexible connector Unity black

Product code 18546

Brand Maytoni
Height 20.0mm
Width 280.0mm
Casing colour black
Casing material plastic



1-phase track accessory Maytoni 1-phase flexible connector Unity white IP20

Product code 18542

Brand Maytoni
Protection class IP20
Height 20.0mm
Width 280.0mm
Length 35.0mm
Casing colour white
Casing material plastic
Work environment indoor use



1-phase track accessory Maytoni 1-phase hanger 2m Unity white

Product code 18540

Brand Maytoni
Height 32.0mm
Width 32.0mm
Length 2000.0mm
Casing colour white
Casing material metal
Work environment indoor use



1-phase track accessory Maytoni 1-phase hanger 2m TRA001CW-11B black

Product code 18548

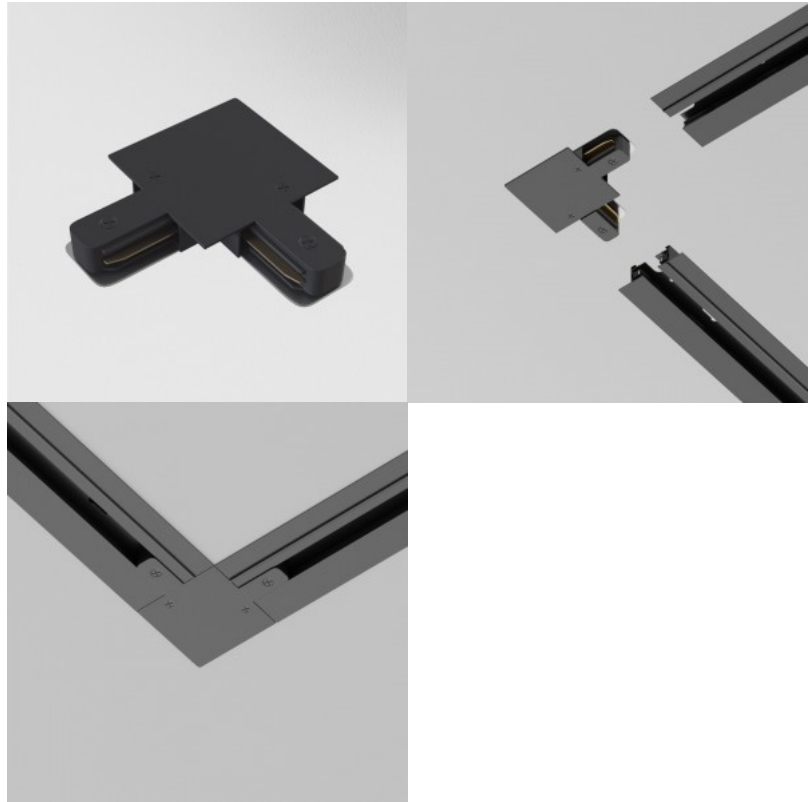
Brand Maytoni
Height 32.0mm
Width 32.0mm
Length 2000.0mm
Casing colour black
Casing material metal
Work environment indoor use



1-phase track accessory Maytoni 1-phase L-connector black

Product code 20500

Brand Maytoni
Height 20.0mm
Width 95.0mm
Length 95.0mm
Casing colour black
Casing material aluminium
Work environment indoor use



1-phase track accessory Maytoni 1-phase L-connector white

Product code 20496

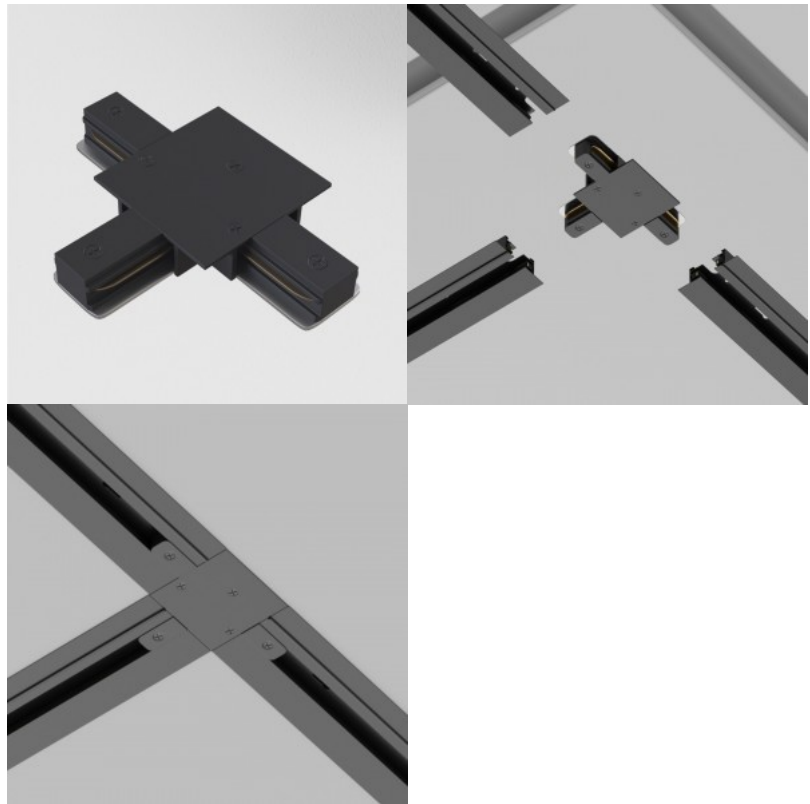
Brand Maytoni
Height 20.0mm
Width 95.0mm
Length 95.0mm
Casing colour white
Casing material aluminium
Work environment indoor use



1-phase track accessory Maytoni 1-phase T-connector black

Product code 20501

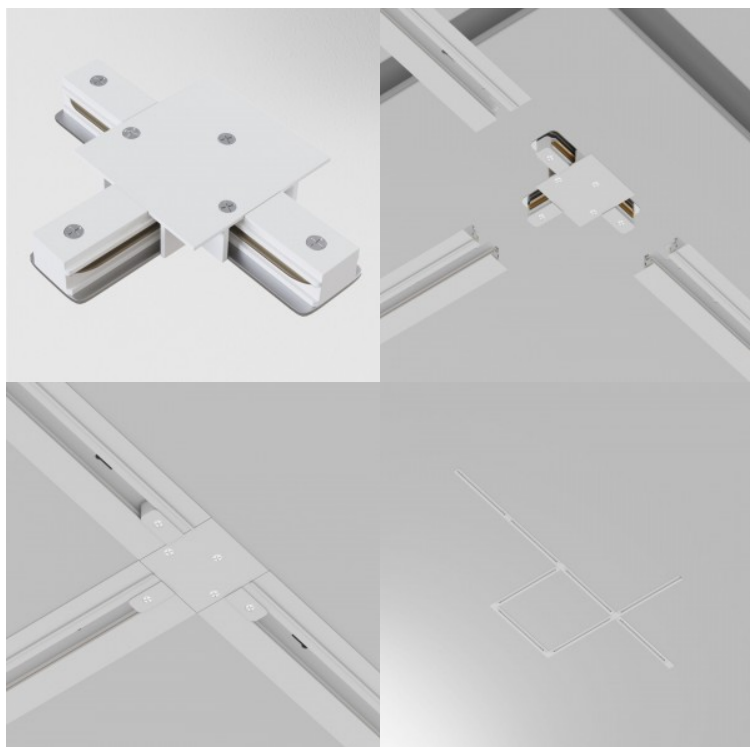
Brand Maytoni
Height 20.0mm
Width 130.0mm
Length 95.0mm
Casing colour black
Casing material aluminium
Work environment indoor use



1-phase track accessory Maytoni 1-phase T-connector white

Product code 20497

Brand Maytoni
Height 20.0mm
Width 130.0mm
Length 95.0mm
Casing colour white
Casing material aluminium
Work environment indoor use



Power track Maytoni 2 m Unity black 230V

Product code 20598

Brand Maytoni
Supply voltage 230V
Height 20.0mm
Width 34.0mm
Length 2000.0mm
In package 1pc
Casing colour black



The track lighting system is a modern and functional lighting solution. One of the advantages of the system is the easy adjustment of light placement and the ability to add additional lights when needed. The power supply and end cap are included in the set. To assemble a complete lighting system, choose MAYTONI track systems and 1-phase luminaires.

1-phase track accessory Maytoni L-connector Unity white IP20

Product code 18536

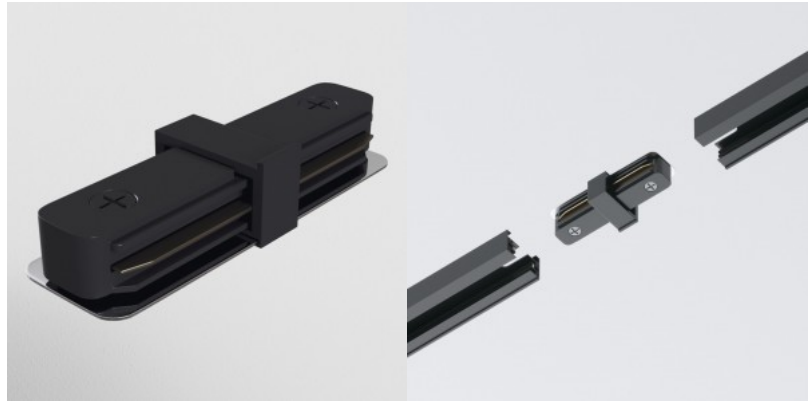
Brand Maytoni
Protection class IP20
Height 17.0mm
Width 70.0mm
Length 70.0mm
Casing colour white
Casing material plastic
Work environment indoor use



1-phase track accessory Maytoni Unity 1-phase connector black IP20

Product code 20502

Brand Maytoni
Protection class IP20
Height 20.0mm
Width 71.0mm
Length 33.0mm
Casing colour black
Casing material plastic
Work environment indoor use



1-phase track accessory Maytoni Unity 1-phase connector white

Product code 20495

Brand Maytoni
Height 20.0mm
Width 80.0mm
Length 60.0mm
Casing colour white
Casing material aluminium
Work environment indoor use



Power track Maytoni Unity 1-phase connector white IP20

Product code 18535

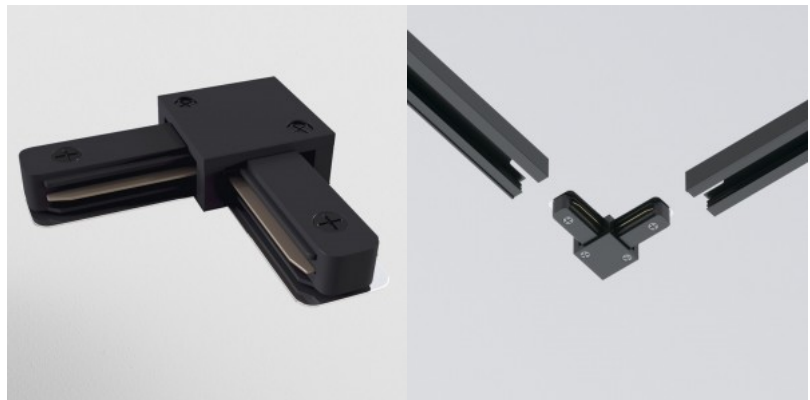
Brand Maytoni
Protection class IP20
Height 20.0mm
Width 33.0mm
Length 71.0mm
Casing colour white
Casing material plastic
Work environment indoor use



1-phase track accessory Maytoni Unity 1-phase L connector black IP20

Product code 18544

Brand Maytoni
Protection class IP20
Height 17.0mm
Width 70.0mm
Length 70.0mm
Casing colour black
Casing material plastic
Work environment indoor use



1-phase track accessory Maytoni Unity 1-phase T connector black IP20

Product code 18549

Brand Maytoni
Protection class IP20
Height 17.0mm
Width 70.0mm
Length 106.0mm
Casing colour black
Casing material plastic
Work environment indoor use



1-phase track accessory Maytoni Unity 1-phase X connector black IP20

Product code 18547

Brand Maytoni
Protection class IP20
Height 23.0mm
Width 110.0mm
Length 110.0mm
Casing colour black
Casing material plastic
Work environment indoor use



Power track Maytoni Unity 1-phase X connector white IP20

Product code 18538

Brand Maytoni
Protection class IP20
Height 23.0mm
Width 110.0mm
Length 110.0mm
Casing colour white
Casing material plastic
Work environment indoor use



Power track Maytoni Unity 1F 1m black 230V

Product code 20491

Brand Maytoni
Supply voltage 230V
Height 20.0mm
Width 1000.0mm
Length 60.0mm
Weight 460 g
Package weight 460 g
In package 1pc
Casing colour black
Casing material aluminium
Work environment indoor use
Warranty 2 years



Power supply and end cap included.

Power track Maytoni Unity 1F 1m white 230V

Product code 20492

Brand Maytoni
Supply voltage 230V
Height 20.0mm
Width 1000.0mm
Length 60.0mm
Weight 460 g
Package weight 460 g
In package 1pc
Casing colour white
Casing material aluminium
Work environment indoor use
Warranty 2 years

Power supply and end cap included.

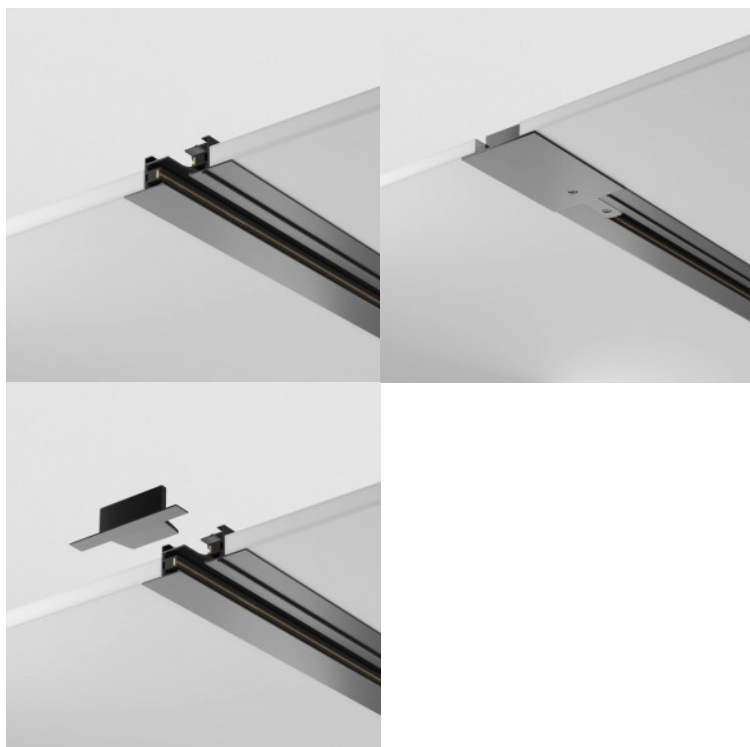


Power track Maytoni Unity 1F 2m black 230V

Product code 20494

Brand Maytoni
Supply voltage 230V
Height 20.0mm
Width 1000.0mm
Length 60.0mm
Weight 460 g
Package weight 460 g
In package 1pc
Casing colour black
Casing material aluminium
Work environment indoor use
Warranty 2 years

Power supply and end cap included.



Power track Maytoni Unity 1F 2m white 230V

Product code 20493

Brand Maytoni
Supply voltage 230V
Height 20.0mm
Width 2000.0mm
Length 60.0mm
Weight 460 g
Package weight 460 g
In package 1pc
Casing colour white
Casing material aluminium
Work environment indoor use
Warranty 2 years

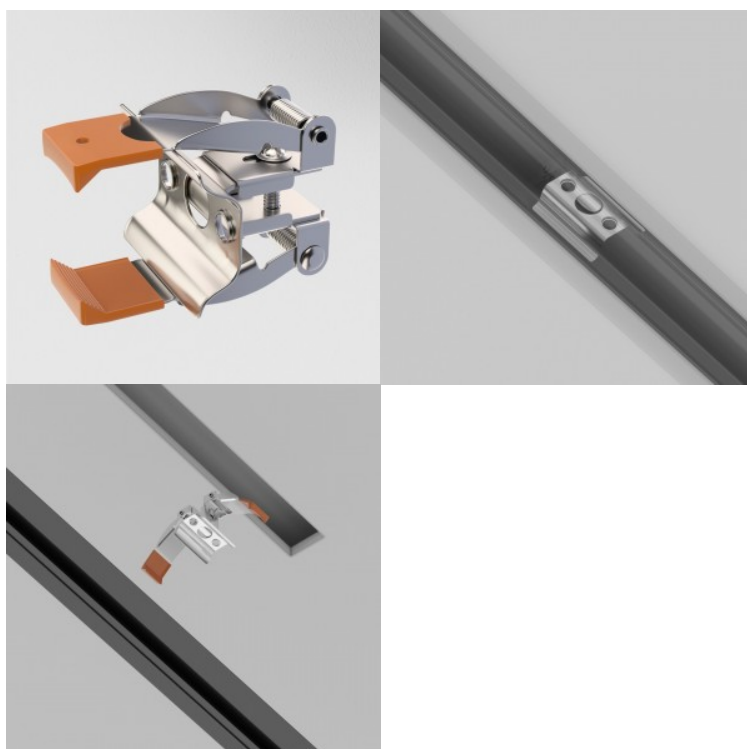
Power supply and end cap included.



1-phase track accessory Maytoni Unity IP20

Product code 21490

Brand Maytoni
Protection class IP20
Height 37.0mm
Width 32.0mm
Length 45.0mm
Work environment indoor use
Warranty 2 years



1-phase track accessory Maytoni Unity T connector white IP20

Product code 18539

Brand Maytoni
Protection class IP20
Height 17.0mm
Width 70.0mm
Length 106.0mm
Casing colour white
Casing material plastic
Work environment indoor use
Warranty 2 years

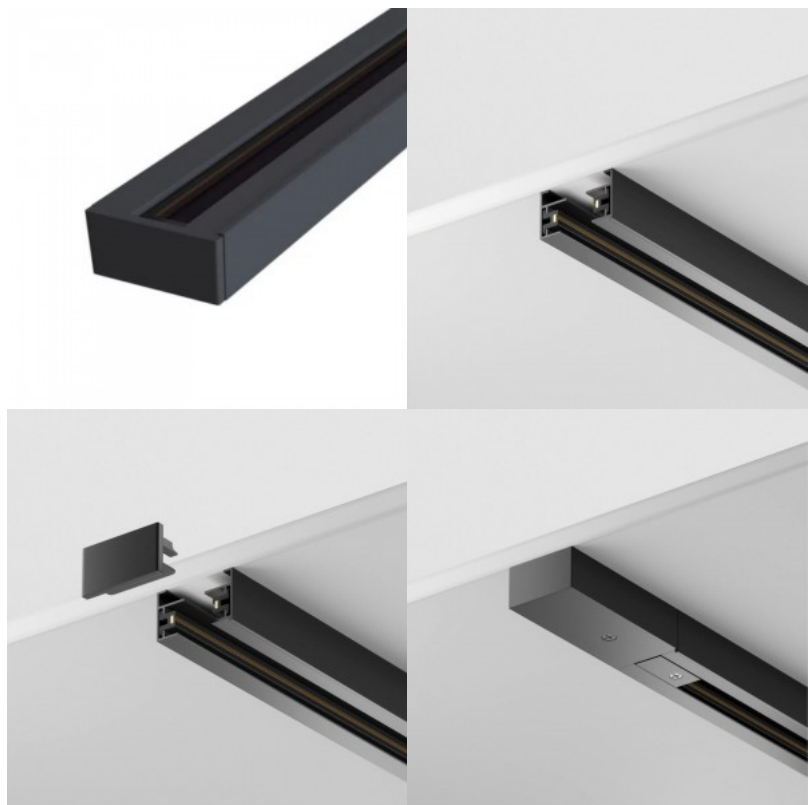


Power track Unity 1F 1m black 230V

Product code 18349

Supply voltage 230V
Height 20.0mm
Width 34.0mm
Length 1000.0mm
In package 1pc
Casing colour black

The track lighting system is a modern and functional lighting solution. One of the advantages of the system is the easy adjustment of light placement and the ability to add additional lights when needed. The power supply and end cap are included in the set. To assemble a complete lighting system, choose MAYTONI track systems and 1-phase luminaires.



Power track Unity 1F 1m white 230V

Product code 18353

Supply voltage 230V
Height 20.0mm
Width 1000.0mm
Length 34.0mm
In package 1pc
Casing colour white



Power track Unity 1F 2m black 230V

Product code 18351

Supply voltage 230V
Height 20.0mm
Width 34.0mm
Length 2000.0mm
In package 1pc
Casing colour black

The track lighting system is a modern and functional lighting solution. One of the advantages of the system is the easy adjustment of light placement and the ability to add additional lights when needed. The power supply and end cap are included in the set. To assemble a complete lighting system, choose MAYTONI track systems and 1-phase luminaires.



Power track Unity 1F 2m white 230V

Product code 18352

Supply voltage 230V
Height 20.0mm
Width 34.0mm
Length 2000.0mm
In package 1pc
Casing colour white

The track lighting system is a modern and functional lighting solution. One of the advantages of the system is the easy adjustment of light placement and the ability to add additional lights when needed. The power supply and end cap are included in the set. To assemble a complete lighting system, choose MAYTONI track systems and 1-phase luminaires.

