

## Power track Maytoni Flarity 1m brass 24V

### Product code 20525

Brand Maytoni  
 Supply voltage 24V  
 Height 15.0mm  
 Width 1000.0mm  
 Length 8.5mm  
 Weight 450 g  
 Package weight 930 g  
 In package 1pc  
 Casing colour brass  
 Casing material aluminium  
 Work environment indoor use  
 Warranty 2 years

1. DESCRIPTION AND INTENDED USE OF THE DEVICE The Flarity Magnetic Modular Track System serves as the foundation for constructing track lighting systems. It is designed to mount and supply power to Flarity track luminaires in a DC network with a nominal voltage of 24V. The system supports both wall and ceiling mounting options and is compatible with materials that are normally flammable. Mounting can be achieved using either rigid fixtures or cable hanger. Track is available in the following color: Brass with electroplated finish. Comes in three configurations: Straight segments: 1 meter and 2 meters in length. Circular tracks: 650 mm and 800 mm in diameter. Semi-circular cross-section tracks: 650 mm and 800 mm in diameter. The segments can be cut at any point using specialized equipment, allowing for the creation of various configurations, ranging from simple to multi-level light installations. The Flarity system supports group dimming functions when used with appropriate power supplies that operate on the DALI protocol. Additionally, it supports dimming methods such as 0/1-10V, Triac, and PWM (using dimmers, controllers, and remotes for LED strips)



## Power track Maytoni Flarity 2m brass 24V

**Product code 20526**

Brand Maytoni  
 Supply voltage 24V  
 Height 15.0mm  
 Width 2000.0mm  
 Length 8.5mm  
 Weight 450 g  
 Package weight 930 g  
 In package 1pc  
 Casing colour brass  
 Casing material aluminium  
 Work environment indoor use  
 Warranty 2 years

1. DESCRIPTION AND INTENDED USE OF THE DEVICE The Flarity Magnetic Modular Track System serves as the foundation for constructing track lighting systems. It is designed to mount and supply power to Flarity track luminaires in a DC network with a nominal voltage of 24V. The system supports both wall and ceiling mounting options and is compatible with materials that are normally flammable. Mounting can be achieved using either rigid fixtures or cable hanger. Track is available in the following color: Brass with electroplated finish. Comes in three configurations: Straight segments: 1 meter and 2 meters in length. Circular tracks: 650 mm and 800 mm in diameter. Semi-circular cross-section tracks: 650 mm and 800 mm in diameter. The segments can be cut at any point using specialized equipment, allowing for the creation of various configurations, ranging from simple to multi-level light installations. The Flarity system supports group dimming functions when used with appropriate power supplies that operate on the DALI protocol. Additionally, it supports dimming methods such as 0/1-10V, Triac, and PWM (using dimmers, controllers, and remotes for LED strips)

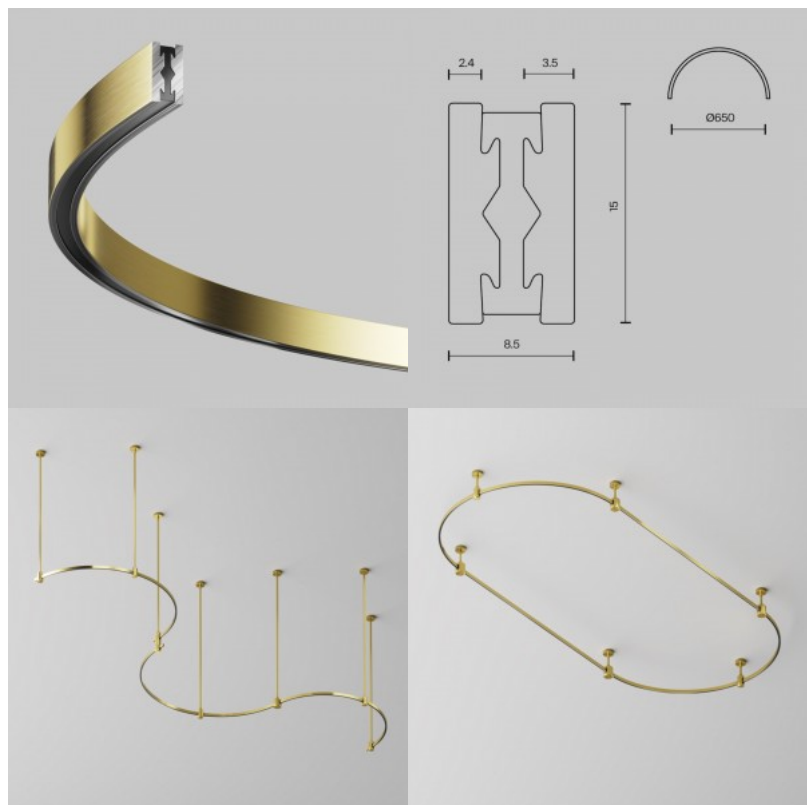


## Power track Maytoni Flarity 650 brass 24V

### Product code 20523

Brand Maytoni  
 Supply voltage 24V  
 Height 15.0mm  
 Width 650.0mm  
 Length 8.5mm  
 Weight 450 g  
 Package weight 930 g  
 In package 1pc  
 Casing colour brass  
 Casing material aluminium  
 Work environment indoor use  
 Warranty 2 years

1. DESCRIPTION AND INTENDED USE OF THE DEVICE The Flarity Magnetic Modular Track System serves as the foundation for constructing track lighting systems. It is designed to mount and supply power to Flarity track luminaires in a DC network with a nominal voltage of 24V. The system supports both wall and ceiling mounting options and is compatible with materials that are normally flammable. Mounting can be achieved using either rigid fixtures or cable hanger. Track is available in the following color: Brass with electroplated finish. Comes in three configurations: Straight segments: 1 meter and 2 meters in length. Circular tracks: 650 mm and 800 mm in diameter. Semi-circular cross-section tracks: 650 mm and 800 mm in diameter. The segments can be cut at any point using specialized equipment, allowing for the creation of various configurations, ranging from simple to multi-level light installations. The Flarity system supports group dimming functions when used with appropriate power supplies that operate on the DALI protocol. Additionally, it supports dimming methods such as 0/1-10V, Triac, and PWM (using dimmers, controllers, and remotes for LED strips)



## Power track Maytoni Flarity 760 brass 24V

### Product code 20565

Brand Maytoni  
 Supply voltage 24V  
 Height 745.0mm  
 Diameter 29.0mm  
 Weight 140 g  
 Package weight 340 g  
 In package 1pc  
 Casing colour brass  
 Casing material aluminium  
 Work environment indoor use  
 Warranty 2 years

1. DESCRIPTION AND INTENDED USE OF THE DEVICE The Flarity Magnetic Modular Track System serves as the foundation for constructing track lighting systems. It is designed to mount and supply power to Flarity track luminaires in a DC network with a nominal voltage of 24V. The system supports both wall and ceiling mounting options and is compatible with materials that are normally flammable. Mounting can be achieved using either rigid fixtures or cable hanger. Track is available in the following color: Brass with electroplated finish. Comes in three configurations: Straight segments: 1 meter and 2 meters in length. Circular tracks: 650 mm and 800 mm in diameter. Semi-circular cross-section tracks: 650 mm and 800 mm in diameter. The segments can be cut at any point using specialized equipment, allowing for the creation of various configurations, ranging from simple to multi-level light installations. The Flarity system supports group dimming functions when used with appropriate power supplies that operate on the DALI protocol. Additionally, it supports dimming methods such as 0/1-10V, Triac, and PWM (using dimmers, controllers, and remotes for LED strips)



## Power track Maytoni Flarity 800 brass 24V

### Product code 20524

Brand Maytoni  
 Supply voltage 24V  
 Height 15.0mm  
 Width 800.0mm  
 Length 8.5mm  
 Weight 450 g  
 Package weight 930 g  
 In package 1pc  
 Casing colour brass  
 Casing material aluminium  
 Work environment indoor use  
 Warranty 2 years

1. DESCRIPTION AND INTENDED USE OF THE DEVICE The Flarity Magnetic Modular Track System serves as the foundation for constructing track lighting systems. It is designed to mount and supply power to Flarity track luminaires in a DC network with a nominal voltage of 24V. The system supports both wall and ceiling mounting options and is compatible with materials that are normally flammable. Mounting can be achieved using either rigid fixtures or cable hanger. Track is available in the following color: Brass with electroplated finish. Comes in three configurations: Straight segments: 1 meter and 2 meters in length. Circular tracks: 650 mm and 800 mm in diameter. Semi-circular cross-section tracks: 650 mm and 800 mm in diameter. The segments can be cut at any point using specialized equipment, allowing for the creation of various configurations, ranging from simple to multi-level light installations. The Flarity system supports group dimming functions when used with appropriate power supplies that operate on the DALI protocol. Additionally, it supports dimming methods such as 0/1-10V, Triac, and PWM (using dimmers, controllers, and remotes for LED strips)



## Power track Maytoni Flarity brass 24V

### Product code 20529

Brand Maytoni  
Supply voltage 24V  
Height 254.0mm  
Width 29.0mm  
Length 55.0mm  
Weight 510 g  
Package weight 760 g  
In package 1pc  
Casing colour brass  
Casing material aluminium  
Work environment indoor use  
Warranty 2 years

1. DESCRIPTION AND INTENDED USE OF THE DEVICE The Flarity Magnetic Modular Track System serves as the foundation for constructing track lighting systems. It is designed to mount and supply power to Flarity track luminaires in a DC network with a nominal voltage of 24V. The system supports both wall and ceiling mounting options and is compatible with materials that are normally flammable. Mounting can be achieved using either rigid fixtures or cable hanger. Track is available in the following color: Brass with electroplated finish. Comes in three configurations: Straight segments: 1 meter and 2 meters in length. Circular tracks: 650 mm and 800 mm in diameter. Semi-circular cross-section tracks: 650 mm and 800 mm in diameter. The segments can be cut at any point using specialized equipment, allowing for the creation of various configurations, ranging from simple to multi-level light installations. The Flarity system supports group dimming functions when used with appropriate power supplies that operate on the DALI protocol. Additionally, it supports dimming methods such as 0/1-10V, Triac, and PWM (using dimmers, controllers, and remotes for LED strips)

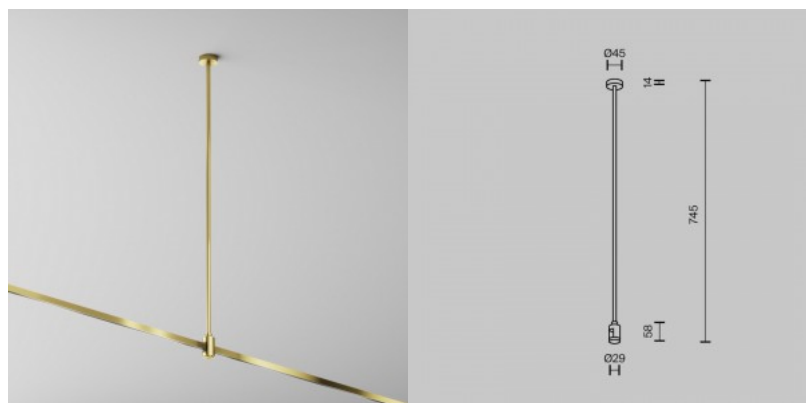


## Power track Maytoni Flarity brass 24V

### Product code 20530

Brand Maytoni  
 Supply voltage 24V  
 Height 745.0mm  
 Diameter 29.0mm  
 Weight 230 g  
 Package weight 490 g  
 In package 1pc  
 Casing colour brass  
 Casing material aluminium  
 Work environment indoor use  
 Warranty 2 years

1. DESCRIPTION AND INTENDED USE OF THE DEVICE The Flarity Magnetic Modular Track System serves as the foundation for constructing track lighting systems. It is designed to mount and supply power to Flarity track luminaires in a DC network with a nominal voltage of 24V. The system supports both wall and ceiling mounting options and is compatible with materials that are normally flammable. Mounting can be achieved using either rigid fixtures or cable hanger. Track is available in the following color: Brass with electroplated finish. Comes in three configurations: Straight segments: 1 meter and 2 meters in length. Circular tracks: 650 mm and 800 mm in diameter. Semi-circular cross-section tracks: 650 mm and 800 mm in diameter. The segments can be cut at any point using specialized equipment, allowing for the creation of various configurations, ranging from simple to multi-level light installations. The Flarity system supports group dimming functions when used with appropriate power supplies that operate on the DALI protocol. Additionally, it supports dimming methods such as 0/1-10V, Triac, and PWM (using dimmers, controllers, and remotes for LED strips)



## Power track Maytoni Flarity brass 24V

### Product code 20531

Brand Maytoni  
Supply voltage 24V  
Height 280.0mm  
Diameter 35.0mm  
Weight 90 g  
Package weight 150 g  
In package 1pc  
Casing colour brass  
Casing material aluminium  
Work environment indoor use  
Warranty 2 years

1. DESCRIPTION AND INTENDED USE OF THE DEVICE The Flarity Magnetic Modular Track System serves as the foundation for constructing track lighting systems. It is designed to mount and supply power to Flarity track luminaires in a DC network with a nominal voltage of 24V. The system supports both wall and ceiling mounting options and is compatible with materials that are normally flammable. Mounting can be achieved using either rigid fixtures or cable hanger. Track is available in the following color: Brass with electroplated finish. Comes in three configurations: Straight segments: 1 meter and 2 meters in length. Circular tracks: 650 mm and 800 mm in diameter. Semi-circular cross-section tracks: 650 mm and 800 mm in diameter. The segments can be cut at any point using specialized equipment, allowing for the creation of various configurations, ranging from simple to multi-level light installations. The Flarity system supports group dimming functions when used with appropriate power supplies that operate on the DALI protocol. Additionally, it supports dimming methods such as 0/1-10V, Triac, and PWM (using dimmers, controllers, and remotes for LED strips)



## Power track Maytoni Flarity brass 24V

### Product code 20532

Brand Maytoni  
Supply voltage 24V  
Height 406.0mm  
Diameter 40.0mm  
Weight 200 g  
Package weight 400 g  
In package 1pc  
Casing colour brass  
Casing material aluminium  
Work environment indoor use  
Warranty 2 years

1. DESCRIPTION AND INTENDED USE OF THE DEVICE The Flarity Magnetic Modular Track System serves as the foundation for constructing track lighting systems. It is designed to mount and supply power to Flarity track luminaires in a DC network with a nominal voltage of 24V. The system supports both wall and ceiling mounting options and is compatible with materials that are normally flammable. Mounting can be achieved using either rigid fixtures or cable hanger. Track is available in the following color: Brass with electroplated finish. Comes in three configurations: Straight segments: 1 meter and 2 meters in length. Circular tracks: 650 mm and 800 mm in diameter. Semi-circular cross-section tracks: 650 mm and 800 mm in diameter. The segments can be cut at any point using specialized equipment, allowing for the creation of various configurations, ranging from simple to multi-level light installations. The Flarity system supports group dimming functions when used with appropriate power supplies that operate on the DALI protocol. Additionally, it supports dimming methods such as 0/1-10V, Triac, and PWM (using dimmers, controllers, and remotes for LED strips)



## Power track Maytoni Flarity brass 24V

### Product code 20538

Brand Maytoni  
 Supply voltage 24V  
 Height 806.0mm  
 Diameter 40.0mm  
 Weight 230 g  
 Package weight 630 g  
 In package 1pc  
 Casing colour brass  
 Casing material aluminium  
 Work environment indoor use  
 Warranty 2 years

1. DESCRIPTION AND INTENDED USE OF THE DEVICE The Flarity Magnetic Modular Track System serves as the foundation for constructing track lighting systems. It is designed to mount and supply power to Flarity track luminaires in a DC network with a nominal voltage of 24V. The system supports both wall and ceiling mounting options and is compatible with materials that are normally flammable. Mounting can be achieved using either rigid fixtures or cable hanger. Track is available in the following color: Brass with electroplated finish. Comes in three configurations: Straight segments: 1 meter and 2 meters in length. Circular tracks: 650 mm and 800 mm in diameter. Semi-circular cross-section tracks: 650 mm and 800 mm in diameter. The segments can be cut at any point using specialized equipment, allowing for the creation of various configurations, ranging from simple to multi-level light installations. The Flarity system supports group dimming functions when used with appropriate power supplies that operate on the DALI protocol. Additionally, it supports dimming methods such as 0/1-10V, Triac, and PWM (using dimmers, controllers, and remotes for LED strips)

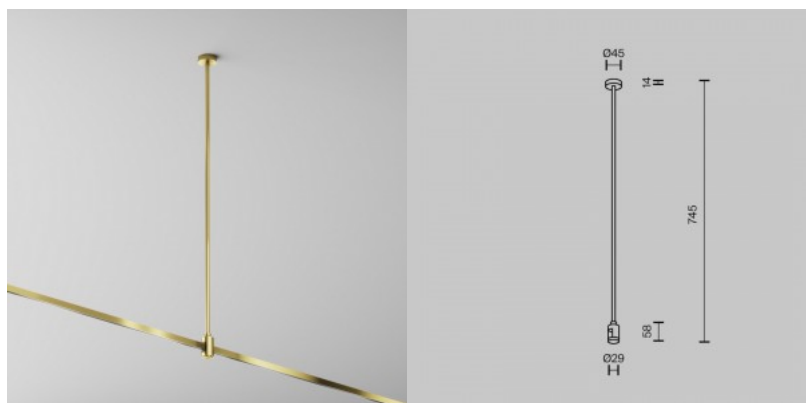


## Power track Maytoni Flarity brass 24V

### Product code 20539

Brand Maytoni  
 Supply voltage 24V  
 Height 745.0mm  
 Diameter 29.0mm  
 Weight 230 g  
 Package weight 490 g  
 In package 1pc  
 Casing colour brass  
 Casing material aluminium  
 Work environment indoor use  
 Warranty 2 years

**1. DESCRIPTION AND INTENDED USE OF THE DEVICE** The Flarity Magnetic Modular Track System serves as the foundation for constructing track lighting systems. It is designed to mount and supply power to Flarity track luminaires in a DC network with a nominal voltage of 24V. The system supports both wall and ceiling mounting options and is compatible with materials that are normally flammable. Mounting can be achieved using either rigid fixtures or cable hanger. Track is available in the following color: Brass with electroplated finish. Comes in three configurations: Straight segments: 1 meter and 2 meters in length. Circular tracks: 650 mm and 800 mm in diameter. Semi-circular cross-section tracks: 650 mm and 800 mm in diameter. The segments can be cut at any point using specialized equipment, allowing for the creation of various configurations, ranging from simple to multi-level light installations. The Flarity system supports group dimming functions when used with appropriate power supplies that operate on the DALI protocol. Additionally, it supports dimming methods such as 0/1-10V, Triac, and PWM (using dimmers, controllers, and remotes for LED strips)



## Power track Maytoni Flarity brass 24V

### Product code 20540

Brand Maytoni  
 Supply voltage 24V  
 Height 806.0mm  
 Diameter 29.0mm  
 Weight 280 g  
 Package weight 640 g  
 In package 1pc  
 Casing colour brass  
 Casing material aluminium  
 Work environment indoor use  
 Warranty 2 years

**1. DESCRIPTION AND INTENDED USE OF THE DEVICE** The Flarity Magnetic Modular Track System serves as the foundation for constructing track lighting systems. It is designed to mount and supply power to Flarity track luminaires in a DC network with a nominal voltage of 24V. The system supports both wall and ceiling mounting options and is compatible with materials that are normally flammable. Mounting can be achieved using either rigid fixtures or cable hanger. Track is available in the following color: Brass with electroplated finish. Comes in three configurations: Straight segments: 1 meter and 2 meters in length. Circular tracks: 650 mm and 800 mm in diameter. Semi-circular cross-section tracks: 650 mm and 800 mm in diameter. The segments can be cut at any point using specialized equipment, allowing for the creation of various configurations, ranging from simple to multi-level light installations. The Flarity system supports group dimming functions when used with appropriate power supplies that operate on the DALI protocol. Additionally, it supports dimming methods such as 0/1-10V, Triac, and PWM (using dimmers, controllers, and remotes for LED strips)



## Power track Maytoni Flarity brass 24V

### Product code 20541

Brand Maytoni  
 Supply voltage 24V  
 Height 745.0mm  
 Diameter 29.0mm  
 Weight 140 g  
 Package weight 340 g  
 In package 1pc  
 Casing colour brass  
 Casing material aluminium  
 Work environment indoor use  
 Warranty 2 years

1. DESCRIPTION AND INTENDED USE OF THE DEVICE The Flarity Magnetic Modular Track System serves as the foundation for constructing track lighting systems. It is designed to mount and supply power to Flarity track luminaires in a DC network with a nominal voltage of 24V. The system supports both wall and ceiling mounting options and is compatible with materials that are normally flammable. Mounting can be achieved using either rigid fixtures or cable hanger. Track is available in the following color: Brass with electroplated finish. Comes in three configurations: Straight segments: 1 meter and 2 meters in length. Circular tracks: 650 mm and 800 mm in diameter. Semi-circular cross-section tracks: 650 mm and 800 mm in diameter. The segments can be cut at any point using specialized equipment, allowing for the creation of various configurations, ranging from simple to multi-level light installations. The Flarity system supports group dimming functions when used with appropriate power supplies that operate on the DALI protocol. Additionally, it supports dimming methods such as 0/1-10V, Triac, and PWM (using dimmers, controllers, and remotes for LED strips)



## Power track Maytoni Flarity brass 24V

### Product code 20542

Brand Maytoni  
Supply voltage 24V  
Height 745.0mm  
Diameter 29.0mm  
Weight 470 g  
Package weight 800 g  
In package 1pc  
Casing colour brass  
Casing material aluminium  
Work environment indoor use  
Warranty 2 years

1. DESCRIPTION AND INTENDED USE OF THE DEVICE The Flarity Magnetic Modular Track System serves as the foundation for constructing track lighting systems. It is designed to mount and supply power to Flarity track luminaires in a DC network with a nominal voltage of 24V. The system supports both wall and ceiling mounting options and is compatible with materials that are normally flammable. Mounting can be achieved using either rigid fixtures or cable hanger. Track is available in the following color: Brass with electroplated finish. Comes in three configurations: Straight segments: 1 meter and 2 meters in length. Circular tracks: 650 mm and 800 mm in diameter. Semi-circular cross-section tracks: 650 mm and 800 mm in diameter. The segments can be cut at any point using specialized equipment, allowing for the creation of various configurations, ranging from simple to multi-level light installations. The Flarity system supports group dimming functions when used with appropriate power supplies that operate on the DALI protocol. Additionally, it supports dimming methods such as 0/1-10V, Triac, and PWM (using dimmers, controllers, and remotes for LED strips)



## Power track Maytoni Flarity brass 24V

### Product code 20563

Brand Maytoni  
 Supply voltage 24V  
 Height 346.0mm  
 Diameter 29.0mm  
 Weight 150 g  
 Package weight 350 g  
 In package 1pc  
 Casing colour brass  
 Casing material aluminium  
 Work environment indoor use  
 Warranty 2 years

1. DESCRIPTION AND INTENDED USE OF THE DEVICE The Flarity Magnetic Modular Track System serves as the foundation for constructing track lighting systems. It is designed to mount and supply power to Flarity track luminaires in a DC network with a nominal voltage of 24V. The system supports both wall and ceiling mounting options and is compatible with materials that are normally flammable. Mounting can be achieved using either rigid fixtures or cable hanger. Track is available in the following color: Brass with electroplated finish. Comes in three configurations: Straight segments: 1 meter and 2 meters in length. Circular tracks: 650 mm and 800 mm in diameter. Semi-circular cross-section tracks: 650 mm and 800 mm in diameter. The segments can be cut at any point using specialized equipment, allowing for the creation of various configurations, ranging from simple to multi-level light installations. The Flarity system supports group dimming functions when used with appropriate power supplies that operate on the DALI protocol. Additionally, it supports dimming methods such as 0/1-10V, Triac, and PWM (using dimmers, controllers, and remotes for LED strips)



## Power track Maytoni Flarity brass 24V

### Product code 20566

Brand Maytoni  
Supply voltage 24V  
Height 406.0mm  
Diameter 29.0mm  
Weight 140 g  
Package weight 340 g  
In package 1pc  
Casing colour brass  
Casing material aluminium  
Work environment indoor use  
Warranty 2 years

1. DESCRIPTION AND INTENDED USE OF THE DEVICE The Flarity Magnetic Modular Track System serves as the foundation for constructing track lighting systems. It is designed to mount and supply power to Flarity track luminaires in a DC network with a nominal voltage of 24V. The system supports both wall and ceiling mounting options and is compatible with materials that are normally flammable. Mounting can be achieved using either rigid fixtures or cable hanger. Track is available in the following color: Brass with electroplated finish. Comes in three configurations: Straight segments: 1 meter and 2 meters in length. Circular tracks: 650 mm and 800 mm in diameter. Semi-circular cross-section tracks: 650 mm and 800 mm in diameter. The segments can be cut at any point using specialized equipment, allowing for the creation of various configurations, ranging from simple to multi-level light installations. The Flarity system supports group dimming functions when used with appropriate power supplies that operate on the DALI protocol. Additionally, it supports dimming methods such as 0/1-10V, Triac, and PWM (using dimmers, controllers, and remotes for LED strips)



## Power track Maytoni Flarity brass 24V

### Product code 20569

Brand Maytoni  
Supply voltage 24V  
Height 1200.0mm  
Diameter 29.0mm  
Weight 180 g  
Package weight 240 g  
In package 1pc  
Casing colour brass  
Casing material aluminium  
Work environment indoor use  
Warranty 2 years

1. DESCRIPTION AND INTENDED USE OF THE DEVICE The Flarity Magnetic Modular Track System serves as the foundation for constructing track lighting systems. It is designed to mount and supply power to Flarity track luminaires in a DC network with a nominal voltage of 24V. The system supports both wall and ceiling mounting options and is compatible with materials that are normally flammable. Mounting can be achieved using either rigid fixtures or cable hanger. Track is available in the following color: Brass with electroplated finish. Comes in three configurations: Straight segments: 1 meter and 2 meters in length. Circular tracks: 650 mm and 800 mm in diameter. Semi-circular cross-section tracks: 650 mm and 800 mm in diameter. The segments can be cut at any point using specialized equipment, allowing for the creation of various configurations, ranging from simple to multi-level light installations. The Flarity system supports group dimming functions when used with appropriate power supplies that operate on the DALI protocol. Additionally, it supports dimming methods such as 0/1-10V, Triac, and PWM (using dimmers, controllers, and remotes for LED strips)

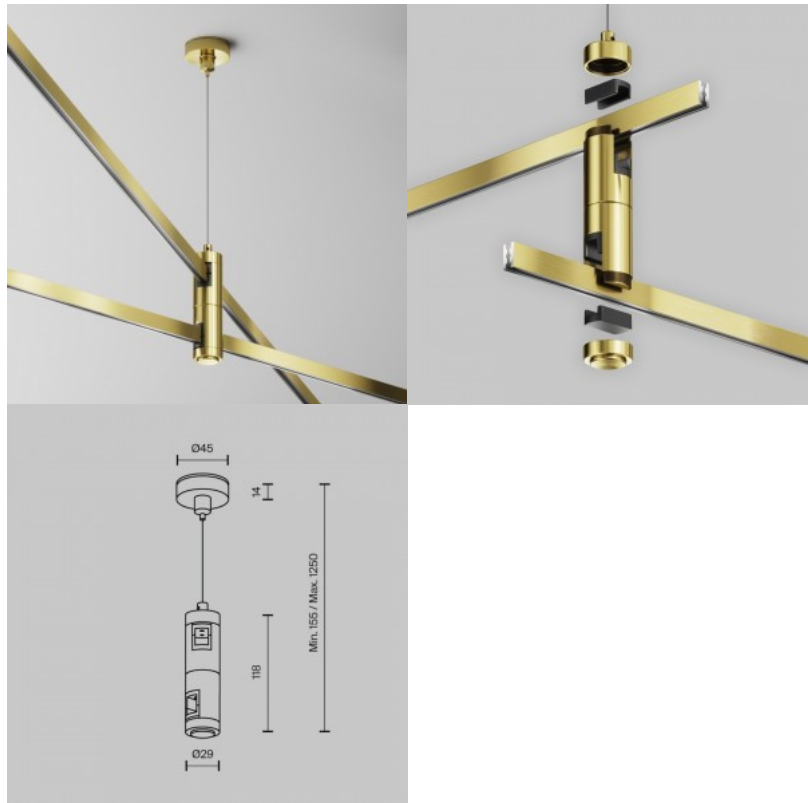


## Power track Maytoni Flarity brass 24V

### Product code 20570

Brand Maytoni  
 Supply voltage 24V  
 Height 1100.0mm  
 Diameter 29.0mm  
 Weight 180 g  
 Package weight 240 g  
 In package 1pc  
 Casing colour brass  
 Casing material aluminium  
 Work environment indoor use  
 Warranty 2 years

1. DESCRIPTION AND INTENDED USE OF THE DEVICE The Flarity Magnetic Modular Track System serves as the foundation for constructing track lighting systems. It is designed to mount and supply power to Flarity track luminaires in a DC network with a nominal voltage of 24V. The system supports both wall and ceiling mounting options and is compatible with materials that are normally flammable. Mounting can be achieved using either rigid fixtures or cable hanger. Track is available in the following color: Brass with electroplated finish. Comes in three configurations: Straight segments: 1 meter and 2 meters in length. Circular tracks: 650 mm and 800 mm in diameter. Semi-circular cross-section tracks: 650 mm and 800 mm in diameter. The segments can be cut at any point using specialized equipment, allowing for the creation of various configurations, ranging from simple to multi-level light installations. The Flarity system supports group dimming functions when used with appropriate power supplies that operate on the DALI protocol. Additionally, it supports dimming methods such as 0/1-10V, Triac, and PWM (using dimmers, controllers, and remotes for LED strips)



## Power track Maytoni Flarity brass 24V

### Product code 20571

Brand Maytoni  
Supply voltage 24V  
Height 89.0mm  
Diameter 29.0mm  
Weight 180 g  
Package weight 240 g  
In package 1pc  
Casing colour brass  
Casing material aluminium  
Work environment indoor use  
Warranty 2 years



## Power track Maytoni Flarity brass 24V

**Product code 20572**

Brand Maytoni  
 Supply voltage 24V  
 Height 149.0mm  
 Diameter 29.0mm  
 Weight 90 g  
 Package weight 150 g  
 In package 1pc  
 Casing colour brass  
 Casing material aluminium  
 Work environment indoor use  
 Warranty 2 years

**1. DESCRIPTION AND INTENDED USE OF THE DEVICE** The Flarity Magnetic Modular Track System serves as the foundation for constructing track lighting systems. It is designed to mount and supply power to Flarity track luminaires in a DC network with a nominal voltage of 24V. The system supports both wall and ceiling mounting options and is compatible with materials that are normally flammable. Mounting can be achieved using either rigid fixtures or cable hanger. Track is available in the following color: Brass with electroplated finish. Comes in three configurations: Straight segments: 1 meter and 2 meters in length. Circular tracks: 650 mm and 800 mm in diameter. Semi-circular cross-section tracks: 650 mm and 800 mm in diameter. The segments can be cut at any point using specialized equipment, allowing for the creation of various configurations, ranging from simple to multi-level light installations. The Flarity system supports group dimming functions when used with appropriate power supplies that operate on the DALI protocol. Additionally, it supports dimming methods such as 0/1-10V, Triac, and PWM (using dimmers, controllers, and remotes for LED strips)

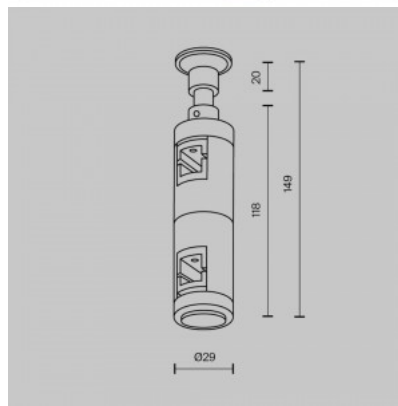


## Power track Maytoni Flarity brass 24V

### Product code 20573

Brand Maytoni  
 Supply voltage 24V  
 Height 149.0mm  
 Diameter 29.0mm  
 Weight 180 g  
 Package weight 240 g  
 In package 1pc  
 Casing colour brass  
 Casing material aluminium  
 Work environment indoor use  
 Warranty 2 years

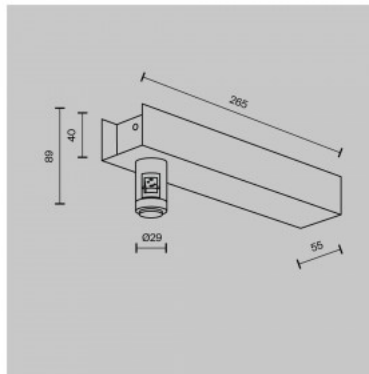
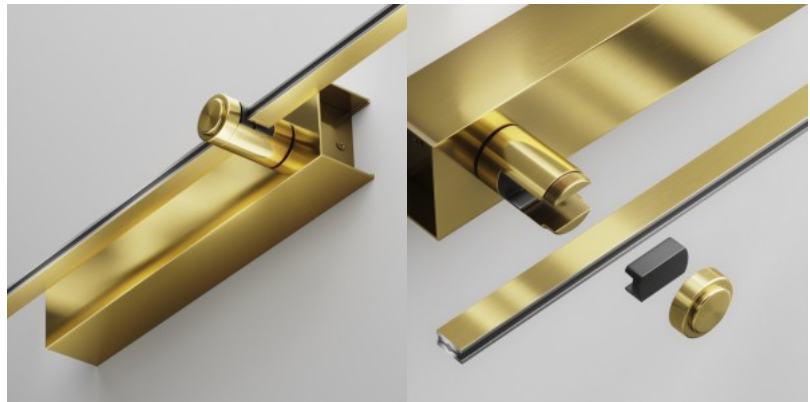
1. DESCRIPTION AND INTENDED USE OF THE DEVICE The Flarity Magnetic Modular Track System serves as the foundation for constructing track lighting systems. It is designed to mount and supply power to Flarity track luminaires in a DC network with a nominal voltage of 24V. The system supports both wall and ceiling mounting options and is compatible with materials that are normally flammable. Mounting can be achieved using either rigid fixtures or cable hanger. Track is available in the following color: Brass with electroplated finish. Comes in three configurations: Straight segments: 1 meter and 2 meters in length. Circular tracks: 650 mm and 800 mm in diameter. Semi-circular cross-section tracks: 650 mm and 800 mm in diameter. The segments can be cut at any point using specialized equipment, allowing for the creation of various configurations, ranging from simple to multi-level light installations. The Flarity system supports group dimming functions when used with appropriate power supplies that operate on the DALI protocol. Additionally, it supports dimming methods such as 0/1-10V, Triac, and PWM (using dimmers, controllers, and remotes for LED strips)



## Power track Maytoni Flarity brass 24V

**Product code 20574**

Brand Maytoni  
 Supply voltage 24V  
 Height 55.0mm  
 Width 265.0mm  
 Length 40.0mm  
 Weight 310 g  
 Package weight 370 g  
 In package 1pc  
 Casing colour brass  
 Casing material aluminium  
 Work environment indoor use  
 Warranty 2 years



## Power track Maytoni Flarity brass 24V

**Product code 20575**

Brand Maytoni  
 Supply voltage 24V  
 Height 124.0mm  
 Diameter 29.0mm  
 Weight 110 g  
 Package weight 170 g  
 In package 1pc  
 Casing colour brass  
 Casing material aluminium  
 Work environment indoor use  
 Warranty 2 years

**1. DESCRIPTION AND INTENDED USE OF THE DEVICE** The Flarity Magnetic Modular Track System serves as the foundation for constructing track lighting systems. It is designed to mount and supply power to Flarity track luminaires in a DC network with a nominal voltage of 24V. The system supports both wall and ceiling mounting options and is compatible with materials that are normally flammable. Mounting can be achieved using either rigid fixtures or cable hanger. Track is available in the following color: Brass with electroplated finish. Comes in three configurations: Straight segments: 1 meter and 2 meters in length. Circular tracks: 650 mm and 800 mm in diameter. Semi-circular cross-section tracks: 650 mm and 800 mm in diameter. The segments can be cut at any point using specialized equipment, allowing for the creation of various configurations, ranging from simple to multi-level light installations. The Flarity system supports group dimming functions when used with appropriate power supplies that operate on the DALI protocol. Additionally, it supports dimming methods such as 0/1-10V, Triac, and PWM (using dimmers, controllers, and remotes for LED strips)



## Power track Maytoni Flarity brass 24V

### Product code 20576

Brand Maytoni  
Supply voltage 24V  
Height 184.0mm  
Diameter 29.0mm  
Weight 180 g  
Package weight 240 g  
In package 1pc  
Casing colour brass  
Casing material aluminium  
Work environment indoor use  
Warranty 2 years

1. DESCRIPTION AND INTENDED USE OF THE DEVICE The Flarity Magnetic Modular Track System serves as the foundation for constructing track lighting systems. It is designed to mount and supply power to Flarity track luminaires in a DC network with a nominal voltage of 24V. The system supports both wall and ceiling mounting options and is compatible with materials that are normally flammable. Mounting can be achieved using either rigid fixtures or cable hanger. Track is available in the following color: Brass with electroplated finish. Comes in three configurations: Straight segments: 1 meter and 2 meters in length. Circular tracks: 650 mm and 800 mm in diameter. Semi-circular cross-section tracks: 650 mm and 800 mm in diameter. The segments can be cut at any point using specialized equipment, allowing for the creation of various configurations, ranging from simple to multi-level light installations. The Flarity system supports group dimming functions when used with appropriate power supplies that operate on the DALI protocol. Additionally, it supports dimming methods such as 0/1-10V, Triac, and PWM (using dimmers, controllers, and remotes for LED strips)



## Power track Maytoni Flarity brass 24V

### Product code 20577

Brand Maytoni  
Supply voltage 24V  
Height 124.0mm  
Diameter 40.0mm  
Weight 150 g  
Package weight 190 g  
In package 1pc  
Casing colour brass  
Casing material aluminium  
Work environment indoor use  
Warranty 2 years

1. DESCRIPTION AND INTENDED USE OF THE DEVICE The Flarity Magnetic Modular Track System serves as the foundation for constructing track lighting systems. It is designed to mount and supply power to Flarity track luminaires in a DC network with a nominal voltage of 24V. The system supports both wall and ceiling mounting options and is compatible with materials that are normally flammable. Mounting can be achieved using either rigid fixtures or cable hanger. Track is available in the following color: Brass with electroplated finish. Comes in three configurations: Straight segments: 1 meter and 2 meters in length. Circular tracks: 650 mm and 800 mm in diameter. Semi-circular cross-section tracks: 650 mm and 800 mm in diameter. The segments can be cut at any point using specialized equipment, allowing for the creation of various configurations, ranging from simple to multi-level light installations. The Flarity system supports group dimming functions when used with appropriate power supplies that operate on the DALI protocol. Additionally, it supports dimming methods such as 0/1-10V, Triac, and PWM (using dimmers, controllers, and remotes for LED strips)



## Power track Maytoni Flarity brass 24V

### Product code 20578

Brand Maytoni  
Supply voltage 24V  
Height 406.0mm  
Diameter 29.0mm  
Weight 200 g  
Package weight 400 g  
In package 1pc  
Casing colour brass  
Casing material aluminium  
Work environment indoor use  
Warranty 2 years

1. DESCRIPTION AND INTENDED USE OF THE DEVICE The Flarity Magnetic Modular Track System serves as the foundation for constructing track lighting systems. It is designed to mount and supply power to Flarity track luminaires in a DC network with a nominal voltage of 24V. The system supports both wall and ceiling mounting options and is compatible with materials that are normally flammable. Mounting can be achieved using either rigid fixtures or cable hanger. Track is available in the following color: Brass with electroplated finish. Comes in three configurations: Straight segments: 1 meter and 2 meters in length. Circular tracks: 650 mm and 800 mm in diameter. Semi-circular cross-section tracks: 650 mm and 800 mm in diameter. The segments can be cut at any point using specialized equipment, allowing for the creation of various configurations, ranging from simple to multi-level light installations. The Flarity system supports group dimming functions when used with appropriate power supplies that operate on the DALI protocol. Additionally, it supports dimming methods such as 0/1-10V, Triac, and PWM (using dimmers, controllers, and remotes for LED strips)



## Power track Maytoni Flarity brass 24V

### Product code 20580

Brand Maytoni  
 Supply voltage 24V  
 Height 346.0mm  
 Diameter 40.0mm  
 Weight 200 g  
 Package weight 400 g  
 In package 1pc  
 Casing colour brass  
 Casing material aluminium  
 Work environment indoor use  
 Warranty 2 years

**1. DESCRIPTION AND INTENDED USE OF THE DEVICE** The Flarity Magnetic Modular Track System serves as the foundation for constructing track lighting systems. It is designed to mount and supply power to Flarity track luminaires in a DC network with a nominal voltage of 24V. The system supports both wall and ceiling mounting options and is compatible with materials that are normally flammable. Mounting can be achieved using either rigid fixtures or cable hanger. Track is available in the following color: Brass with electroplated finish. Comes in three configurations: Straight segments: 1 meter and 2 meters in length. Circular tracks: 650 mm and 800 mm in diameter. Semi-circular cross-section tracks: 650 mm and 800 mm in diameter. The segments can be cut at any point using specialized equipment, allowing for the creation of various configurations, ranging from simple to multi-level light installations. The Flarity system supports group dimming functions when used with appropriate power supplies that operate on the DALI protocol. Additionally, it supports dimming methods such as 0/1-10V, Triac, and PWM (using dimmers, controllers, and remotes for LED strips)

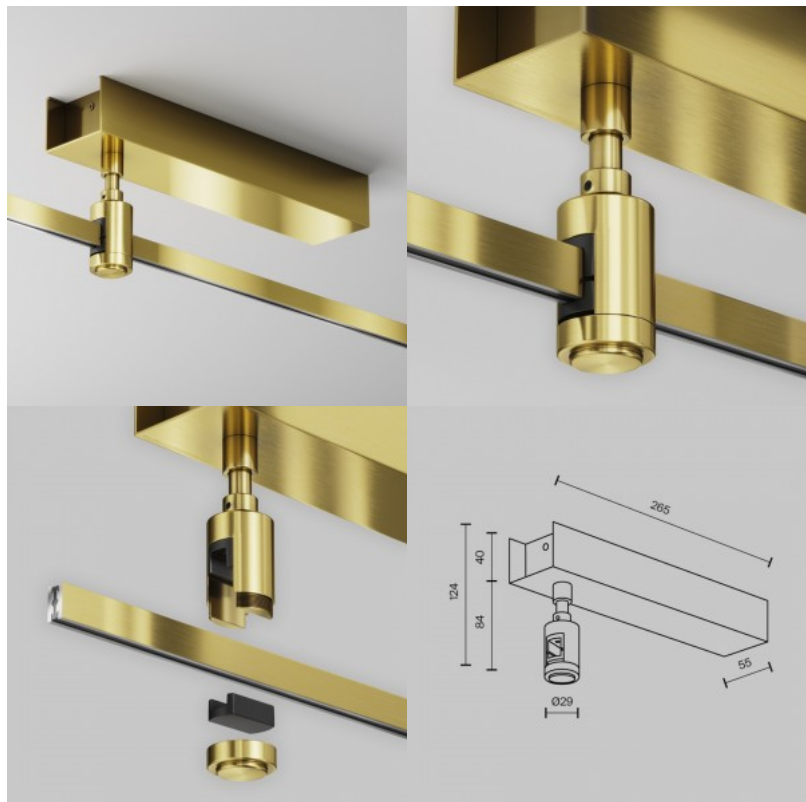


## Power track Maytoni Flarity brass 24V

### Product code 20581

Brand Maytoni  
Supply voltage 24V  
Height 124.0mm  
Width 265.0mm  
Weight 320 g  
Package weight 370 g  
In package 1pc  
Casing colour brass  
Casing material aluminium  
Work environment indoor use  
Warranty 2 years

1. DESCRIPTION AND INTENDED USE OF THE DEVICE The Flarity Magnetic Modular Track System serves as the foundation for constructing track lighting systems. It is designed to mount and supply power to Flarity track luminaires in a DC network with a nominal voltage of 24V. The system supports both wall and ceiling mounting options and is compatible with materials that are normally flammable. Mounting can be achieved using either rigid fixtures or cable hanger. Track is available in the following color: Brass with electroplated finish. Comes in three configurations: Straight segments: 1 meter and 2 meters in length. Circular tracks: 650 mm and 800 mm in diameter. Semi-circular cross-section tracks: 650 mm and 800 mm in diameter. The segments can be cut at any point using specialized equipment, allowing for the creation of various configurations, ranging from simple to multi-level light installations. The Flarity system supports group dimming functions when used with appropriate power supplies that operate on the DALI protocol. Additionally, it supports dimming methods such as 0/1-10V, Triac, and PWM (using dimmers, controllers, and remotes for LED strips)



## Power track Maytoni Flarity Ring 650 brass 24V

### Product code 20527

Brand Maytoni  
Supply voltage 24V  
Height 15.0mm  
Length 8.5mm  
Diameter 650.0mm  
Weight 1.35 kg  
Package weight 1.9 kg  
In package 1pc  
Casing colour brass  
Casing material aluminium  
Work environment indoor use  
Warranty 2 years

1. DESCRIPTION AND INTENDED USE OF THE DEVICE The Flarity Magnetic Modular Track System serves as the foundation for constructing track lighting systems. It is designed to mount and supply power to Flarity track luminaires in a DC network with a nominal voltage of 24V. The system supports both wall and ceiling mounting options and is compatible with materials that are normally flammable. Mounting can be achieved using either rigid fixtures or cable hanger. Track is available in the following color: Brass with electroplated finish. Comes in three configurations: Straight segments: 1 meter and 2 meters in length. Circular tracks: 650 mm and 800 mm in diameter. Semi-circular cross-section tracks: 650 mm and 800 mm in diameter. The segments can be cut at any point using specialized equipment, allowing for the creation of various configurations, ranging from simple to multi-level light installations. The Flarity system supports group dimming functions when used with appropriate power supplies that operate on the DALI protocol. Additionally, it supports dimming methods such as 0/1-10V, Triac, and PWM (using dimmers, controllers, and remotes for LED strips)



## Power track Maytoni Flarity Ring 800 brass 24V

### Product code 20528

Brand Maytoni  
Supply voltage 24V  
Height 15.0mm  
Length 8.5mm  
Diameter 800.0mm  
Weight 2.1 kg  
Package weight 2.7 kg  
In package 1pc  
Casing colour brass  
Casing material aluminium  
Work environment indoor use  
Warranty 2 years

1. DESCRIPTION AND INTENDED USE OF THE DEVICE The Flarity Magnetic Modular Track System serves as the foundation for constructing track lighting systems. It is designed to mount and supply power to Flarity track luminaires in a DC network with a nominal voltage of 24V. The system supports both wall and ceiling mounting options and is compatible with materials that are normally flammable. Mounting can be achieved using either rigid fixtures or cable hanger. Track is available in the following color: Brass with electroplated finish. Comes in three configurations: Straight segments: 1 meter and 2 meters in length. Circular tracks: 650 mm and 800 mm in diameter. Semi-circular cross-section tracks: 650 mm and 800 mm in diameter. The segments can be cut at any point using specialized equipment, allowing for the creation of various configurations, ranging from simple to multi-level light installations. The Flarity system supports group dimming functions when used with appropriate power supplies that operate on the DALI protocol. Additionally, it supports dimming methods such as 0/1-10V, Triac, and PWM (using dimmers, controllers, and remotes for LED strips)



