

## LED bulb AIGOSTAR MR16 A5 12V 3W 225lm CRI80 GU5.3 120° 3000K warm white

### Product code 14022

Price 1,99+VAT

Equivalent 25W regular bulb  
Brand AIGOSTAR  
Supply voltage 12V  
Output 3W  
Electric current 30mA  
Luminous flux 225lumens  
Luminaire's efficiency 75W  
Correlated colour temperature (cct)  
warm white 3000K  
Lens angle 120  
Socket GU5.3  
Cri 80  
Lifespan 25000h  
Height 52.5mm  
Diameter 50.0mm  
In package 5pcs  
In box 50pcs  
Casing material aluminum + plastic  
No. of switches 12500pcs  
Work environment indoor use  
Operation temperature -10°C-40°C  
Certificates CE,RoHS,TUV-GS  
Warranty 2 years



## LED bulb AIGOSTAR MR16 A5 12V 6W 390lm CRI80 GU5.3 120° 3000K warm white

**Product code 14313**

Price 2,25+VAT

Equivalent 40W regular bulb  
Brand AIGOSTAR  
Supply voltage 12V  
Output 6W  
Electric current 60mA  
Luminous flux 390lumens  
Luminaire's efficiency 65W  
Correlated colour temperature (cct)  
warm white 3000K  
Lens angle 120  
Socket GU5.3  
Cri 80  
Lifespan 25000h  
Height 52.0mm  
Diameter 50.0mm  
Casing material plastic  
No. of switches 12500pcs  
Work environment indoor use  
Certificates CE,RoHS  
Warranty 2 years



## LED bulb AIGOSTAR MR16 A5 230V 3W 240lm CRI80 GU10 120° 3000K warm white

**Product code 14118**

Price 1,68+VAT

Equivalent 20W regular bulb  
Brand AIGOSTAR  
Supply voltage 230V  
Output 3W  
Electric current 30mA  
Luminous flux 240lumens  
Luminaire's efficiency 80W  
Correlated colour temperature (cct)  
warm white 3000K  
Lens angle 120  
Socket GU10  
Cri 80  
Lifespan 25000h  
Height 51.0mm  
Diameter 50.0mm  
In package 5pcs  
In box 50pcs  
Casing material aluminum + plastic  
No. of switches 12500pcs  
Work environment indoor use  
Operation temperature -10~+40°C  
Certificates CE,RoHS,TUV-GS  
Warranty 2 years



## LED bulb AIGOSTAR MR16 A5 230V 4W 260lm CRI80 GU10 120° 6500K cold white

### Product code 14128

Price 1,39+VAT

Equivalent 25W regular bulb  
Brand AIGOSTAR  
Supply voltage 230V  
Output 4W  
Electric current 50mA  
Luminous flux 260lumens  
Luminaire's efficiency 65W  
Correlated colour temperature (cct)  
cold white 6500K  
Lens angle 120  
Socket GU10  
Cri 80  
Lifespan 25000h  
Height 51.0mm  
Diameter 50.0mm  
In package 5pcs  
In box 50pcs  
Casing material aluminum + plastic  
Polishing matt  
No. of switches 12500pcs  
Work environment indoor use  
Operation temperature -10~+40°C  
Certificates CE,RoHS,TUV-GS  
Warranty 2 years



## LED bulb AIGOSTAR MR16 A5 230V 8W 600lm CRI80 GU10 120° 6400K cold white

### Product code 16504

---

Equivalent 20W regular bulb  
Brand AIGOSTAR  
Supply voltage 230V  
Output 8W  
Electric current 30mA  
Luminous flux 600lumens  
Luminaire's efficiency 75W  
Correlated colour temperature (cct)  
cold white 6400K  
Lens angle 120  
Socket GU10  
Cri 80  
Lifespan 25000h  
Height 55.0mm  
Diameter 50.0mm  
In package 5pcs  
In box 50pcs  
Casing material aluminum + plastic  
No. of switches 12500pcs  
Work environment indoor use  
Operation temperature -10~+40°C  
Certificates CE,RoHS,TUV-GS  
Warranty 2 years



## **LED bulb AIGOSTAR MR16 A5 COB 12V 6W 300lm CRI80 GU5.3 30° 3000K warm white**

**Product code 14030**

Price 2,83+VAT

---

Equivalent 30W regular bulb  
Brand AIGOSTAR  
Supply voltage 12V  
Output 6W  
Luminous flux 300lumens  
Luminaire's efficiency 50W  
Correlated colour temperature (cct)  
warm white 3000K  
Lens angle 30  
Socket GU5.3  
Cri 80  
Lifespan 25000h  
Height 52.5mm  
Diameter 50.0mm  
In package 5pcs  
In box 50pcs  
Casing material aluminum + plastic  
No. of switches 12500pcs  
Work environment indoor use  
Operation temperature -10°C-40°C  
Certificates CE  
Warranty 2 years



## LED bulb AIGOSTAR MR16 A5 COB 230V 6W 300lm CRI80 GU10 30° 3000K warm white

### Product code 14013

Price 1,87+VAT

Equivalent 30W regular bulb  
Brand AIGOSTAR  
Supply voltage 230V  
Output 6W  
Electric current 45mA  
Luminous flux 300lumens  
Luminaire's efficiency 50W  
Correlated colour temperature (cct)  
warm white 3000K  
Lens angle 30  
Socket GU10  
Cri 80  
Lifespan 25000h  
Height 54.0mm  
Diameter 50.0mm  
In package 5pcs  
In box 50pcs  
Casing material aluminum + plastic  
No. of switches 12500pcs  
Work environment indoor use  
Operation temperature -10°C-40°C  
Certificates CE  
Warranty 2 years



## LED bulb CB 230V 1W 90lm CRI80 GU10 120° IP20 3000K warm white

### Product code 16501

Price 1,32+VAT

Supply voltage 230V  
Output 1W  
Luminous flux 90lumens  
Luminaire's efficiency 90W  
Correlated colour temperature (cct)  
warm white 3000K  
Lens angle 120  
Socket GU10  
Cri 80  
Sdcm - macadam ellipses 6  
Protection class IP20  
Lifespan 10000h  
Height 56.0mm  
Diameter 50.0mm  
Weight 40g  
In package 1pc  
In box 100pcs  
No. of switches 10000pcs  
Work environment indoor use  
Certificates CE  
Warranty 2 years



## LED bulb EMOS CLASSIC MR16 230V 4,2W 333lm CRI80 GU10 110° IP20 3000K warm white

### Product code 16629

Price 2,20+VAT

Equivalent 36W regular bulb  
Brand [EMOS](#)  
Supply voltage 230V  
Output 4,2W  
Luminous flux 333lumens  
Correlated colour temperature (cct)  
warm white 3000K  
Lens angle 110  
Socket GU10  
Cri 80  
Protection class IP20  
Lifespan 30000h  
Height 52.0mm  
Diameter 50.0mm  
In package 1pc  
In box 10pcs  
No. of switches 25000pcs  
Work environment indoor use  
Certificates CE, RoHS  
Warranty 3 years



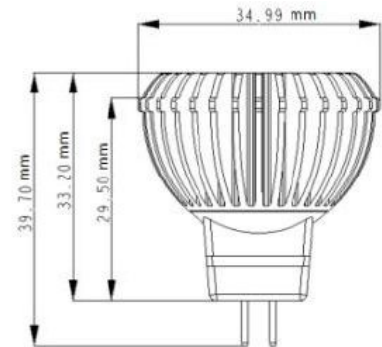
## LED bulb MR11 Luxeon 12V 3W 125lm CRI80 G4 45° 2700K warm white

**Product code 13065**

Price 10,00+VAT

Promotional price 5,00+VAT

Supply voltage 12V  
Output 3W  
Luminous flux 125lumens  
Luminaire's efficiency 42W  
Correlated colour temperature (cct)  
warm white 2700K  
Lens angle 45  
Socket G4  
Source of light [LUMILEDS](#)  
Cri 80  
Lifespan 30000h  
Certificates CE



## LED bulb NB 230V 1W 90lm CRI80 GU10 120° IP20 4000K pure white

**Product code 16488**

Price 1,50+VAT

Supply voltage 230V  
Output 1W  
Luminous flux 90lumens  
Luminaire's efficiency 90W  
Correlated colour temperature (cct)  
pure white 4000K  
Lens angle 120  
Socket GU10  
Cri 80  
Sdcm - macadam ellipses 6  
Protection class IP20  
Lifespan 10000h  
Height 56.0mm  
Diameter 50.0mm  
Weight 40g  
In package 1pc  
In box 100pcs  
No. of switches 10000pcs  
Work environment indoor use  
Certificates CE  
Warranty 2 years





## LED bulb PHILIPS Corepro LEDspot 230V 4,9W 550lm CRI80 GU10 120° 3000K warm white

**Product code 16392**

Price 4,28+VAT

Brand [PHILIPS](#)

Supply voltage 230V

Output 4,9W

Luminous flux 550lumens

Correlated colour temperature (cct)

warm white 3000K

Lens angle 120

Socket GU10

Cri 80

Lifespan 15000h

Weight 38g

In package 1pc

In box 10pcs

Casing material glass

No. of switches 50000pcs

Work environment indoor use

Certificates CE, RoHS

Warranty 2 years



## LED bulb PHILIPS Corepro LEDspot 230V 4,9W 550lm CRI80 GU10 120° 4000K pure white

**Product code 16391**

Price 4,24+VAT

Brand [PHILIPS](#)

Supply voltage 230V

Output 4,9W

Luminous flux 550lumens

Correlated colour temperature (cct)

pure white 4000K

Lens angle 120

Socket GU10

Cri 80

Lifespan 15000h

Weight 38g

In package 1pc

In box 10pcs

Casing material glass

No. of switches 50000pcs

Work environment indoor use

Certificates CE, RoHS

Warranty 2 years

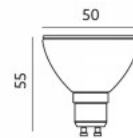


## LED bulb PREMIUM SAMSUNG 230V 5W 430lm CRI80 GU10 38° 3000K warm white

### Product code 15980

Price 2,13+VAT

Brand PREMIUM  
Supply voltage 230V  
Output 5W  
Luminous flux 430lumens  
Luminaire's efficiency 86W  
Correlated colour temperature (cct)  
warm white 3000K  
Lens angle 38  
Socket GU10  
Source of light [SAMSUNG LED](#)  
Cri 80  
Lifespan 30000h  
Height 55.0mm  
Diameter 50.0mm  
Weight 30g  
In package 1pc  
In box 100pcs  
No. of switches 20000pcs  
Work environment indoor use  
Operation temperature -20°C - 40°C  
Certificates CE  
Warranty 3 years

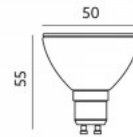


## LED bulb PREMIUM SAMSUNG 230V 5W 430lm CRI80 GU10 80° 3000K warm white

**Product code 15643**

Price 1,85+VAT

Brand PREMIUM  
Supply voltage 230V  
Output 5W  
Luminous flux 430lumens  
Luminaire's efficiency 86W  
Correlated colour temperature (cct)  
warm white 3000K  
Lens angle 80  
Socket GU10  
Source of light [SAMSUNG LED](#)  
Cri 80  
Lifespan 30000h  
Height 55.0mm  
Diameter 50.0mm  
In package 1pc  
In box 100pcs  
No. of switches 20000pcs  
Work environment indoor use  
Operation temperature -20°C - 40°C  
Certificates CE  
Warranty 3 years



## LED bulb PROLUMEN CITIZEN DL170L COB TRIAC 230V 10W 1000lm CRI80 36° IP20 3000K warm white

**Product code 14897 TRIAC dimmable**

Price 23,91+VAT

Brand [PROLUMEN](#)  
Supply voltage 230V  
Dimmable TRIAC  
Output 10W  
Luminous flux 1000lumens  
Luminaire's efficiency 100W  
Correlated colour temperature (cct)  
warm white 3000K  
Lens angle 36  
Source of light CITIZEN LED  
Cri 80  
Sdcm - macadam ellipses 6  
Protection class IP20  
Lifespan 50000h  
Lmf L70 @25°C 50.000h  
Height 51.0mm  
Diameter 49.0mm  
In box 100pcs  
Casing material aluminum  
Work environment indoor use  
Certificates CE, RoHS  
Warranty 3 years



## LED bulb PROLUMEN CITIZEN DL170L COB TRIAC 230V 10W 1000lm CRI80 36° IP20 4000K pure white

**Product code 15280 TRIAC dimmable**

Brand [PROLUMEN](#)  
Supply voltage 230V  
Dimmable TRIAC  
Output 10W  
Luminous flux 1000lumens  
Luminaire's efficiency 100W  
Correlated colour temperature (cct)  
pure white 4000K  
Lens angle 36  
Source of light CITIZEN LED  
Cri 80  
Sdcm - macadam ellipses 6  
Protection class IP20  
Lifespan 50000h  
Llmf L70 @25°C 50.000h  
Height 51.0mm  
Diameter 49.0mm  
In box 100pcs  
Casing material aluminum  
Work environment indoor use  
Certificates CE, RoHS  
Warranty 3 years



## LED bulb PROLUMEN CITIZEN DL170L COB TRIAC 230V 13W 1300lm CRI80 36° IP20 3000K warm white

**Product code 14847 TRIAC dimmable**  
Price 23,10+VAT

Brand [PROLUMEN](#)  
Supply voltage 230V  
Dimmable TRIAC  
Output 13W  
Luminous flux 1300lumens  
Luminaire's efficiency 100W  
Correlated colour temperature (cct)  
warm white 3000K  
Lens angle 36  
Source of light CITIZEN LED  
Cri 80  
Sdcm - macadam ellipses 6  
Protection class IP20  
Lifespan 50000h  
Llmf L70 @25°C 50.000h  
Height 61.0mm  
Diameter 49.0mm  
In box 100pcs  
Casing material aluminum  
Work environment indoor use  
Certificates CE, RoHS  
Warranty 3 years



## LED bulb PROLUMEN CITIZEN DL170L COB TRIAC 230V 18W 1800lm CRI80 36° IP20 3000K warm white

**Product code 14848 TRIAC dimmable**

Price 35,22+VAT

Brand [PROLUMEN](#)

Supply voltage 230V

Dimmable TRIAC

Output 18W

Luminous flux 1800lumens

Luminaire's efficiency 100W

Correlated colour temperature (cct)

warm white 3000K

Lens angle 36

Source of light CITIZEN LED

Cri 80

Sdcm - macadam ellipses 6

Protection class IP20

Lifespan 50000h

Llmf L70 @25°C 50.000h

Height 81.0mm

Diameter 50.0mm

Casing material aluminum

Work environment indoor use

Certificates CE, RoHS

Warranty 3 years



## LED bulb PROLUMEN CREE LED 230V 7W 630lm CRI93 30° IP20 2700K warm white

**Product code 14601**

Price 18,60+VAT

Promotional price 17,02+VAT

Brand [PROLUMEN](#)

Supply voltage 230V

Output 7W

Luminous flux 630lumens

Luminaire's efficiency 90W

Correlated colour temperature (cct)  
warm white 2700K

Lens angle 30

Source of light [CREE LED](#)

Cri 93

Protection class IP20

Lifespan 50000h

Height 49.0mm

Width 47.0mm

Diameter 50.0mm

Casing material aluminum

No. of switches 30000pcs

Work environment indoor use

Operation temperature -20- +40°C

Certificates CE, RoHS

Warranty 3 years



Power supply is included.

## LED bulb REVAL BULB ALU PAR30 TRIAC 230V 25W 1750lm CRI90 E27 60° IP20 3000K warm white

**Product code 15416 TRIAC dimmable**

Equivalent 50W regular bulb  
Brand [REVAL BULB](#)  
Supply voltage 230V  
Dimmable TRIAC  
Output 25W  
Luminous flux 1750lumens  
Luminaire's efficiency 70W  
Correlated colour temperature (cct)  
warm white 3000K  
Lens angle 60  
Socket E27  
Source of light [CREE LED](#)  
Cri 90  
Sdcm - macadam ellipses 6  
Protection class IP20  
Lifespan 35000h  
Height 125.0mm  
Diameter 95.0mm  
Casing material aluminum  
Certificates CE  
Warranty 2 years



## LED bulb REVAL BULB ALU PAR30 TRIAC 230V 25W 2300lm CRI90 E27 30° IP20 3000K warm white

**Product code 15415 TRIAC dimmable**

Equivalent 50W regular bulb  
Brand [REVAL BULB](#)  
Supply voltage 230V  
Dimmable TRIAC  
Output 25W  
Luminous flux 2300lumens  
Luminaire's efficiency 92W  
Correlated colour temperature (cct)  
warm white 3000K  
Lens angle 30  
Socket E27  
Source of light [CREE LED](#)  
Cri 90  
Protection class IP20  
Lifespan 35000h  
Height 125.0mm  
Diameter 95.0mm  
Casing material aluminum  
Certificates CE  
Warranty 2 years



## LED bulb REVAL BULB Summer Star 24V 8W 400lm CRI90 30° IP20 RGB + 2700K RGBW warm

**Product code 16189**

Price 50,00+VAT

Brand [REVAL BULB](#)

Supply voltage 24V

Output 8W

Luminous flux 400lumens

Luminaire's efficiency 50W

Correlated colour temperature (cct)

RGBW warm RGB + 2700K

Lens angle 30

Cri 90

Protection class IP20

Lifespan 35000h

Height 52.0mm

Diameter 49.0mm

Casing material aluminum

Work environment indoor use

Certificates CE

Warranty 3 years



## LED bulb Star Trading 347-68-3 TRIAC 230V 5,7W 610lm CRI80 GU10 36° IP20 4000K pure white

**Product code 16438 TRIAC dimmable**

Price 5,21+VAT

Equivalent 71W regular bulb

Brand [Star Trading](#)

Supply voltage 230V

Dimmable TRIAC

Output 5,7W

Luminous flux 610lumens

Correlated colour temperature (cct)

pure white 4000K

Lens angle 36

Socket GU10

Cri 80

Sdcm - macadam ellipses 5

Protection class IP20

Lifespan 15000h

Height 54.0mm

Diameter 50.0mm

In package 1pc

No. of switches 7500pcs

Work environment indoor use

Operation temperature -20° - +40°C

Certificates CE, RoHS

Warranty 2 years





## LED bulb Star Trading MR16 TRIAC, 346-11-1 12V 7.5W 620lm CRI80 GU5.3 36° IP20 2700K warm white

**Product code 16580 TRIAC dimmable**

Price 7,00+VAT

Equivalent 50W regular bulb  
Brand [Star Trading](#)  
Supply voltage 12V  
Dimmable TRIAC  
Output 7.5W  
Luminous flux 620lumens  
Luminaire's efficiency 83W  
Correlated colour temperature (cct)  
warm white 2700K  
Lens angle 36  
Socket GU5.3  
Cri 80  
Protection class IP20  
Lifespan 15000h  
Height 44.0mm  
Width 50.0mm  
No. of switches 12500pcs  
Operation temperature -20 +40°C  
Certificates CE, RoHS  
Warranty 2 years



## LED bulb Star Trading MR16 TRIAC, 347-30-1 220-240V 4,8W 500lm CRI80 GU10 100° IP20 3000K warm white

**Product code 16273 TRIAC dimmable**

Price 5,05+VAT

Equivalent 50W regular bulb  
Brand [Star Trading](#)  
Supply voltage 220-240V  
Dimmable TRIAC  
Output 4,8W  
Luminous flux 500lumens  
Correlated colour temperature (cct)  
warm white 3000K  
Lens angle 100  
Socket GU10  
Cri 80  
Sdcm - macadam ellipses 6  
Protection class IP20  
Lifespan 15000h  
Height 55.0mm  
Width 50.0mm  
Length 50.0mm  
Diameter 50.0mm  
No. of switches 7500pcs  
Operation temperature -20 +40°C  
Certificates CE, RoHS  
Warranty 2 years



## LED bulb Star Trading MR16 ST TRIAC, 346-09-1 12V 4.4W 345lm CRI80 GU5.3 36° 2700K warm white

**Product code 16598 TRIAC dimmable**

Price 4,00+VAT

Equivalent 35W regular bulb  
Brand [Star Trading](#)  
Supply voltage 12V  
Dimmable TRIAC  
Output 4.4W  
Electric current 440mA  
Luminous flux 345lumens  
Luminaire's efficiency 78W  
Correlated colour temperature (cct)  
warm white 2700K  
Lens angle 36  
Socket GU5.3  
Cri 80  
Sdcm - macadam ellipses 6  
Lifespan 15000h  
Height 44.0mm  
Width 50.0mm  
No. of switches 7500pcs  
Certificates CE, RoHS



## LED bulb Star Trading MR16 ST TRIAC, 346-09-5 12V 5W 390lm CRI90 GU5.3 36° 3000K warm white

**Product code 16354 TRIAC dimmable**

Price 4,87+VAT

Equivalent 35W regular bulb  
Brand [Star Trading](#)  
Supply voltage 12V  
Dimmable TRIAC  
Output 5W  
Electric current 490mA  
Luminous flux 390lumens  
Luminaire's efficiency 78W  
Correlated colour temperature (cct)  
warm white 3000K  
Lens angle 36  
Socket GU5.3  
Cri 90  
Sdcm - macadam ellipses 6  
Lifespan 15000h  
Height 44.0mm  
Width 50.0mm  
No. of switches 7500pcs  
Operation temperature -20 ~ 40°C  
Certificates CE, RoHS  
Warranty 3 years



## LED bulb Star Trading MR16 ST TRIAC, 4LED 347-36-4 230V 4.5W 400lm CRI80 GU10 36° 2700K warm white

**Product code 14967 TRIAC dimmable**

Price 4,40+VAT

Equivalent 50W regular bulb  
Brand [Star Trading](#)  
Supply voltage 230V  
Dimmable TRIAC  
Output 4.5W  
Luminous flux 400lumens  
Luminaire's efficiency 89W  
Correlated colour temperature (cct)  
warm white 2700K  
Lens angle 36  
Socket GU10  
Cri 80  
Sdcm - macadam ellipses 6  
Lifespan 15000h  
Height 54.0mm  
Diameter 50.0mm  
No. of switches 7500pcs  
Work environment indoor use  
Certificates CE,RoHS  
Warranty 2 years



## LED bulb Star Trading MR16 TRIAC, 346-07 12V 5,2W 450lm CRI80 GU5.3 36° IP20 4000K pure white

**Product code 16248 TRIAC dimmable**

Price 4,42+VAT

Equivalent 50W regular bulb  
Brand [Star Trading](#)  
Supply voltage 12V  
Dimmable TRIAC  
Output 5,2W  
Luminous flux 450lumens  
Correlated colour temperature (cct)  
pure white 4000K  
Lens angle 36  
Socket GU5.3  
Cri 80  
Sdcm - macadam ellipses 6  
Protection class IP20  
Lifespan 15000h  
Height 44.0mm  
Width 50.0mm  
Length 50.0mm  
Diameter 50.0mm  
No. of switches 7500pcs  
Operation temperature -20 +40°C  
Certificates CE, RoHS  
Warranty 2 years



## LED bulb Star Trading MR16 TRIAC, 346-11 12V 7W 700lm CRI80 GU5.3 36° IP20 2700K warm white

**Product code 15981 TRIAC dimmable**

Price 7,00+VAT

Equivalent 50W regular bulb  
Brand [Star Trading](#)  
Supply voltage 12V  
Dimmable TRIAC  
Output 7W  
Luminous flux 700lumens  
Luminaire's efficiency 100W  
Correlated colour temperature (cct)  
warm white 2700K  
Lens angle 36  
Socket GU5.3  
Cri 80  
Protection class IP20  
Lifespan 15000h  
Height 44.0mm  
Width 50.0mm  
No. of switches 12500pcs  
Operation temperature -20 +40°C  
Certificates CE, RoHS  
Warranty 2 years



## LED bulb Star Trading PAR38 356-80-1 220-240V 13W 1200lm CRI80 E27 35° IP65 2700K warm white

**Product code 16415**

Price 17,91+VAT

Brand [Star Trading](#)  
Supply voltage 220-240V  
Output 13W  
Luminous flux 1200lumens  
Luminaire's efficiency 92W  
Correlated colour temperature (cct)  
warm white 2700K  
Lens angle 35  
Socket E27  
Cri 80  
Sdcm - macadam ellipses 6  
Protection class IP65  
Lifespan 15000h  
Height 133.0mm  
Diameter 121.0mm  
No. of switches 15000pcs  
Work environment outdoor use  
Operation temperature -20 ~ 40°C



## LED bulb Star Trading PAR38 356-81 220-240V 15W 1300lm CRI80 E27 35° IP65 4000K pure white

**Product code 15805**

Price 17,43+VAT

Brand [Star Trading](#)

Supply voltage 220-240V

Output 15W

Luminous flux 1300lumens

Luminaire's efficiency 87W

Correlated colour temperature (cct)

pure white 4000K

Lens angle 35

Socket E27

Cri 80

Sdcm - macadam ellipses 6

Protection class IP65

Lifespan 15000h

Height 133.0mm

Diameter 121.0mm

No. of switches 12500pcs

Work environment outdoor use

Operation temperature -20 ~ 40°C



## LED bulb Star Trading PAR38 356-82 + remote 220-240V 7,5W 445lm CRI80 E27 100° IP65 RGB + 6000K RGBW cold

**Product code 15842**

Price 20,10+VAT

Equivalent 116W regular bulb

Brand [Star Trading](#)

Supply voltage 220-240V

Output 7,5W

Luminous flux 445lumens

Correlated colour temperature (cct)

RGBW cold RGB + 6000K

Lens angle 100

Socket E27

Cri 80

Sdcm - macadam ellipses 6

Protection class IP65

Lifespan 20000h

Height 130.0mm

Diameter 125.0mm

No. of switches 7500pcs

Work environment outdoor use

Operation temperature -20 ~ 40°C



## LED bulb Star Trading PAR38 356-91 380V 15W 1100lm CRI80 E27 35° IP65 2700K warm white

### Product code 14881

Price 15,52+VAT

Equivalent 103W regular bulb  
Brand [Star Trading](#)  
Supply voltage 380V  
Output 15W  
Luminous flux 1100lumens  
Luminaire's efficiency 73W  
Correlated colour temperature (cct)  
warm white 2700K  
Lens angle 35  
Socket E27  
Cri 80  
Protection class IP65  
Lifespan 15000h  
No. of switches 12500pcs

