

Reflector Crossover PC 100W

Product code 17743

Casing material plastic

Plastic reflector



LED industrial light ECO TP-12 230V 36W 5760lm 120° IP66 840

Product code 17459

Brand ECO
 Supply voltage 230V
 Power factor 0.90
 Output 36W
 Luminous flux 5760lumens
 Luminaire's efficiency lm79 160W
 Correlated colour temperature pure white 4000K
 Lens angle 120
 Source of light [PHILIPS LED](#)
 Cri 80
 Ugr 25
 Sdcm - macadam ellipses 3
 Protection class IP66
 Lifespan 50000h
 Height 70.0mm
 Width 75.0mm
 Length 1207.0mm
 In package 1pc
 In box 6pcs
 Casing material polycarbonate
 Polishing matt
 Impact resistance IK10
 Work environment indoor / outdoor use
 Operation temperature -20 - +45°C
 Certificates ENEC, CB, CE, RoHS
 Warranty 3 years



An industrial luminaire with adjustable power, suitable for both warehouse and car park. In industrial spaces, there is a higher risk of light fixtures getting damaged. To prevent this, this light fixture has an IK10 protection rating. This means that it is difficult to cause mechanical damage to the fixture. A light fixture with an IK10 rating can withstand hammer impacts of up to 20 joules. The user can choose between power settings of which also determines the number of lumens. With proper use, the luminaire is energy-efficient, environmentally friendly, and has a very long lifespan (50,000 hours). Illuminate your world with LED House professionals - [check out our project portfolio here!](#)

LED industrial light ECO TP-15 230V 55W 8800lm 120° IP66 840

Product code 17453

Brand ECO
 Supply voltage 230V
 Power factor 0.90
 Output 55W
 Luminous flux 8800lumens
 Luminaire's efficiency lm79 160W
 Correlated colour temperature pure white 4000K
 Lens angle 120
 Source of light [PHILIPS LED](#)
 Cri 80
 Ugr 25
 Sdcm - macadam ellipses 3
 Protection class IP66
 Lifespan 50000h
 Height 70.0mm
 Width 75.0mm
 Length 1507.0mm
 In package 1pc
 In box 6pcs
 Casing material polycarbonate
 Polishing matt
 Impact resistance IK10
 Work environment indoor / outdoor use
 Operation temperature -20 - +45°C
 Certificates ENEC, CB, CE, RoHS
 Warranty 3 years



An industrial luminaire with adjustable power, suitable for both warehouse and car park. In industrial spaces, there is a higher risk of light fixtures getting damaged. To prevent this, this light fixture has an IK10 protection rating. This means that it is difficult to cause mechanical damage to the fixture. A light fixture with an IK10 rating can withstand hammer impacts of up to 20 joules. The user can choose between power settings of which also determines the number of lumens. With proper use, the luminaire is energy-efficient, environmentally friendly, and has a very long lifespan (50,000 hours). Illuminate your world with LED House professionals - [check out our project portfolio here!](#)

LED industrial light Farm 2 230V 40W 5400lm IP67 840

Product code 14658

Supply voltage 230V
Output 40W
Luminous flux 5400lumens
Luminaire's efficiency lm79 135W
Correlated colour temperature pure white 4000K
Cri 80
Protection class IP67
Lifespan 100000h
Height 115.0mm
Width 75.0mm
Length 1210.0mm
Weight 1700g
Package weight 1850g
In package 1pc
Impact resistance IK10



Motion sensor MW+ daylight sensor

Product code 17121

Motion sensor for CROSSOVER UFO light.



LED industrial light NEXUS PRO LIGHT NEXFORCE1 1200 230V 40W 6000lm 120° IP65 840

Product code 15816

Brand [NEXUS PRO LIGHT](#)

Supply voltage 230V

Output 40W

Luminous flux 6000lumens

Luminaire's efficiency lm79 150W

Correlated colour temperature pure white 4000K

Lens angle 120

Cri 80

Protection class IP65

Lifespan 50000h

Height 76.0mm

Width 95.0mm

Length 1260.0mm

Weight 1430g

In box 8pcs

Casing material plastic

No. of switches 30000pcs

Power supply [LIFUD](#)

Impact resistance IK08

Work environment indoor / outdoor use

Operation temperature -20 - +40°C

Certificates CE

Warranty 5 years



Quality LED ceiling light for garage, workshop, warehouse, production space. In case of a malfunction within 5 years, the defective light will be replaced with a new one. Protection class IP65 ensures strong water resistance for the light, allowing it to be used in outdoor conditions, even under direct water pressure. 4000K LED lights provide clear and sharp daylight. Find the highest quality lighting solutions from [LED house product range!](#)

LED industrial light NEXUS PRO LIGHT NEXFORCE1 1500 230V 52W 9000lm 120° IP65 840

Product code 17898

Brand [NEXUS PRO LIGHT](#)

Supply voltage 230V

Output 52W

Luminous flux 9000lumens

Luminaire's efficiency lm79 173W

Correlated colour temperature pure white 4000K

Lens angle 120

Cri 80

Protection class IP65

Lifespan 50000h

Height 80.0mm

Width 85.0mm

Length 1500.0mm

Weight 1630g

In box 9pcs

Casing material plastic

No. of switches 30000pcs

Power supply [LIFUD](#)

Impact resistance IK08

Work environment indoor / outdoor use

Operation temperature -20 - +40°C

Certificates CE

Warranty 5 years



Quality LED ceiling light for garage, workshop, warehouse, production space. In case of a malfunction within 5 years, the defective light will be replaced with a new one. Protection class IP65 ensures strong water resistance for the light, allowing it to be used in outdoor conditions, even under direct water pressure. 4000K LED lights provide clear and sharp daylight. Find the highest quality lighting solutions from [LED house product range!](#)

LED industrial light NEXUS PRO LIGHT NEXFORCE1 1500 230V 60W 9000lm 120° IP65 840

Product code 15817

Brand [NEXUS PRO LIGHT](#)

Supply voltage 230V

Output 60W

Luminous flux 9000lumens

Luminaire's efficiency lm79 150W

Correlated colour temperature pure
white 4000K

Lens angle 120

Cri 80

Protection class IP65

Lifespan 50000h

Height 76.0mm

Width 95.0mm

Length 1560.0mm

Weight 1800g

In box 8pcs

Casing material plastic

No. of switches 30000pcs

Power supply [LIFUD](#)

Impact resistance IK08

Work environment indoor / outdoor
use

Operation temperature -20 - +40°C

Certificates CE

Warranty 5 years



Quality LED ceiling light for garage, workshop, warehouse, production space. In case of a malfunction within 5 years, the defective light will be replaced with a new one. Protection class IP65 ensures strong water resistance for the light, allowing it to be used in outdoor conditions, even under direct water pressure. 4000K LED lights provide clear and sharp daylight. Find the highest quality lighting solutions from [LED house product range!](#)

LED industrial light NEXUS PRO LIGHT NEXFORCE1 1500 230V 80W 12000lm 120° IP65 840

Product code 17139

Brand [NEXUS PRO LIGHT](#)

Supply voltage 230V

Output 80W

Luminous flux 12000lumens

Luminaire's efficiency lm79 150W

Correlated colour temperature pure white 4000K

Lens angle 120

Cri 80

Protection class IP65

Lifespan 50000h

Height 76.0mm

Width 95.0mm

Length 1560.0mm

Weight 1840g

In box 8pcs

Casing material plastic

No. of switches 30000pcs

Power supply [LIFUD](#)

Impact resistance IK08

Work environment indoor / outdoor use

Operation temperature -20 - +40°C

Certificates CE

Warranty 5 years



Quality LED ceiling light for garage, workshop, warehouse, production space. In case of a malfunction within 5 years, the defective light will be replaced with a new one. Protection class IP65 ensures strong water resistance for the light, allowing it to be used in outdoor conditions, even under direct water pressure. 4000K LED lights provide clear and sharp daylight. Find the highest quality lighting solutions from [LED house product range!](#)

LED industrial light NEXUS PRO LIGHT NEXFORCE1 600 230V 20W 3000lm 120° IP65 840

Product code 16982

Brand [NEXUS PRO LIGHT](#)

Supply voltage 230V

Output 20W

Luminous flux 3000lumens

Luminaire's efficiency lm79 150W

Correlated colour temperature pure
white 4000K

Lens angle 120

Cri 80

Protection class IP65

Lifespan 50000h

Height 76.0mm

Width 95.0mm

Length 600.0mm

Weight 780g

In box 8pcs

Casing material plastic

No. of switches 30000pcs

Power supply [LIFUD](#)

Impact resistance IK08

Work environment indoor / outdoor
use

Operation temperature -20 - +40°C

Certificates CE

Warranty 5 years



Quality LED ceiling light for garage, workshop, warehouse, production space. In case of a malfunction within 5 years, the defective light will be replaced with a new one. Protection class IP65 ensures strong water resistance for the light, allowing it to be used in outdoor conditions, even under direct water pressure. 4000K LED lights provide clear and sharp daylight. Find the highest quality lighting solutions from [LED house product range!](#)

LED industrial light Northcliffe BARAT LED2X3200 C116 T840 PC/PC OP IC EX 230V 55W 6947lm IP66 840

Product code 15796

Brand Northcliffe
Supply voltage 230V
Output 55W
Luminous flux 6947lumens
Luminaire's efficiency lm79 126W
Correlated colour temperature pure white 4000K
Cri 80
Protection class IP66
Llmf tm21 L80B10 @25°C 50.000h
Height 111.0mm
Width 146.0mm
Length 1572.0mm
Weight 3300g
Impact resistance IK08
Warranty 3 years



High-quality LED ceiling light! 4000K LED lights provide clear and sharp light, perfect for illuminating shops and other commercial spaces. IP66 protection class ensures strong waterproofing for the light, allowing it to be used outdoors, even under direct water pressure. If the light malfunctions within 3 years, it will be replaced with a new one. Symbols: II 3G Ex nA IIC T6 Gc; II 3D Ex tD IIIC T85°C You can find the best selection of industrial lighting in the [LED house product range!](#)

Reflector NOTE PC 100W dia 310

Product code 13890

Diameter 310.0mm
Casing material plastic

Plastic reflector



Motion sensor PIR + daylight sensor

Product code 17305

Motion sensor for CROSSOVER UFO light.



**LED sports hall light PROLUMEN Arena HB100 UGR21 160lm/W
(0-10V) gray 230V 120W 19200lm 110° IP65 840**

Product code 17249 0-10V dimmable

Brand [PROLUMEN](#)

Supply voltage 230V

Dimmable 0-10V

Output 120W

Luminous flux 19200lumens

Luminaire's efficiency lm79 160W

Correlated colour temperature pure white 4000K

Lens angle 110

Source of light [CREE LED](#)

Cri 80

Ugr 21

Sdcm - macadam ellipses 6

Protection class IP65

Lifespan 50000h

Llmf tm21 L90B10 @25°C 50.000h

Height 120.0mm

Width 257.0mm

Length 362.0mm

Casing colour gray

Casing material aluminum

Polishing matt

Power supply [MEAN WELL](#)

Impact resistance IK10

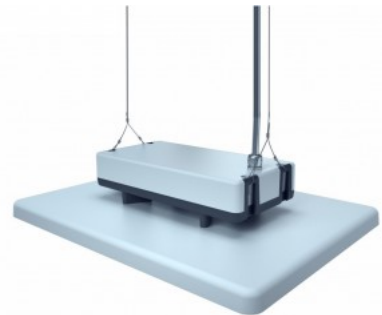
Work environment indoor use

Operation temperature -40~70°C

Certificates CE, RoHS

Warranty 5 years

Applications: sports halls, workshops, event arenas, industries, etc. All details of the luminaire are shatterproof! The luminaire lens is made of polycarbonate. Polycarbonate is a thermoplastic polymer used in various applications due to its durability, lightweight, and transparency. In case of malfunction within 5 years, the luminaire will be replaced with a new one. Through the initial calculation conducted by LED house, it becomes clear how many luminaires are needed to achieve the desired light density in the building. These luminaires use Mean Well power supplies, providing peace of mind with their reliability for a long time. The highest quality lighting solutions can be found in the [LED house product range!](#)



LED sports hall light PROLUMEN Arena HB100 UGR21 160lm/W gray 230V 100W 16000lm 110° IP65 840

Product code 17060

Brand [PROLUMEN](#)
 Supply voltage 230V
 Output 100W
 Luminous flux 16000lumens
 Luminaire's efficiency lm79 160W
 Correlated colour temperature pure white 4000K
 Lens angle 110
 Source of light [CREE LED](#)
 Cri 80
 Ugr 21
 Sdcm - macadam ellipses 6
 Protection class IP65
 Lifespan 50000h
 Llmf tm21 L80B10 @25°C 50.000h
 Height 120.0mm
 Width 257.0mm
 Length 362.0mm
 Casing colour gray
 Casing material aluminum
 Polishing matt
 Power supply [MEAN WELL](#)
 Impact resistance IK10
 Work environment indoor use
 Operation temperature -40~70°C
 Certificates CE, RoHS
 Warranty 5 years

Applications: sports halls, workshops, event arenas, industries, etc. All details of the luminaire are shatterproof! The luminaire lens is made of polycarbonate. Polycarbonate is a thermoplastic polymer used in various applications due to its durability, lightweight, and transparency. In case of malfunction within 5 years, the luminaire will be replaced with a new one. Through the initial calculation conducted by LED house, it becomes clear how many luminaires are needed to achieve the desired light density in the building. These luminaires use Mean Well power supplies, providing peace of mind with their reliability for a long time. The highest quality lighting solutions can be found in the [LED house product range!](#)

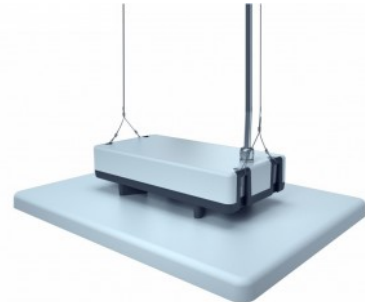


LED sports hall light PROLUMEN Arena HB120 UGR21 160lm/W gray 230V 120W 19200lm 110° IP65 840

Product code 16752

Brand [PROLUMEN](#)
 Supply voltage 230V
 Output 120W
 Luminous flux 19200lumens
 Luminaire's efficiency lm79 160W
 Correlated colour temperature pure white 4000K
 Lens angle 110
 Source of light [CREE LED](#)
 Cri 80
 Ugr 21
 Sdcm - macadam ellipses 6
 Protection class IP65
 Lifespan 50000h
 Llmf tm21 L80B10 @25°C 50.000h
 Height 120.0mm
 Width 310.0mm
 Length 415.0mm
 Package weight 5000g
 Casing colour gray
 Casing material aluminum
 Polishing matt
 Power supply [MEAN WELL](#)
 Impact resistance IK10
 Work environment indoor use
 Operation temperature -40~70°C
 Certificates CE, RoHS
 Warranty 5 years

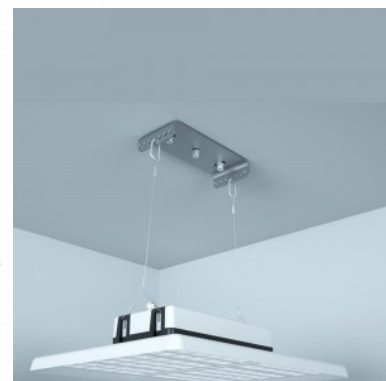
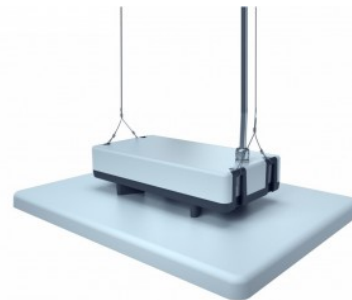
Applications: sports halls, workshops, event arenas, industries, etc. All details of the luminaire are shatterproof! The luminaire lens is made of polycarbonate. Polycarbonate is a thermoplastic polymer used in various applications due to its durability, lightweight, and transparency. In case of malfunction within 5 years, the luminaire will be replaced with a new one. Through the initial calculation conducted by LED house, it becomes clear how many luminaires are needed to achieve the desired light density in the building. These luminaires use Mean Well power supplies, providing peace of mind with their reliability for a long time. The highest quality lighting solutions can be found in the [LED house product range!](#)



LED sports hall light PROLUMEN Arena HB150 UGR19 DALI gray 230V 150W 24000lm 80° IP65 840

Product code 16417 DALI dimmable

Brand [PROLUMEN](#)
 Supply voltage 230V
 Power factor 0.95
 Dimmable DALI
 Output 150W
 Luminous flux 24000lumens
 Luminaire's efficiency lm79 160W
 Correlated colour temperature pure white 4000K
 Lens angle 80
 Source of light [CREE LED](#)
 Cri 80
 Ugr 19
 Sdcm - macadam ellipses 6
 Protection class IP65
 Lifespan 50000h
 Llmf tm21 L80B10 @25°C 50.000h
 Height 120.0mm
 Width 362.0mm
 Length 487.0mm
 Casing colour gray
 Casing material aluminum
 Polishing matt
 Power supply [MEAN WELL](#)
 Impact resistance IK10
 Work environment indoor use
 Operation temperature -40~70°C
 Certificates CE, RoHS
 Warranty 5 years



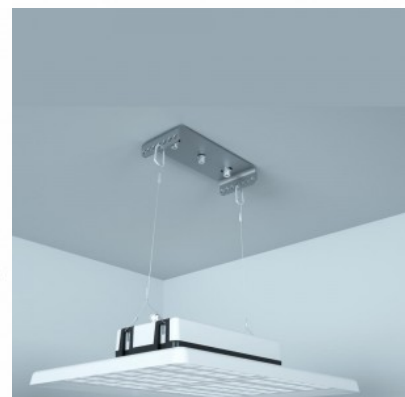
Applications: sports halls, workshops, event arenas, industries, etc. All details of the luminaire are shatterproof! The luminaire lens is made of polycarbonate. Polycarbonate is a thermoplastic polymer used in various applications due to its durability, lightweight, and transparency. In case of malfunction within 5 years, the luminaire will be replaced with a new one. Through the initial calculation conducted by LED house, it becomes clear how many luminaires are needed to achieve the desired light density in the building. These luminaires use Mean Well power supplies, providing peace of mind with their reliability for a long time. The highest quality lighting solutions can be found in the [LED house product range!](#)

LED sports hall light PROLUMEN Arena HB150 UGR21 160lm/W gray 230V 150W 24000lm 110° IP65 840

Product code 15785

Brand [PROLUMEN](#)
 Supply voltage 230V
 Output 150W
 Luminous flux 24000lumens
 Luminaire's efficiency lm79 160W
 Correlated colour temperature pure white 4000K
 Lens angle 110
 Source of light [CREE LED](#)
 Cri 80
 Ugr 21
 Sdcm - macadam ellipses 6
 Protection class IP65
 Lifespan 50000h
 Llmf tm21 L80B10 @25°C 50.000h
 Height 120.0mm
 Width 362.0mm
 Length 487.0mm
 Casing colour gray
 Casing material aluminum
 Polishing matt
 Power supply OSRAM
 Impact resistance IK10
 Work environment indoor use
 Operation temperature -40~70°C
 Certificates CE, RoHS
 Warranty 5 years

Applications: sports halls, workshops, event arenas, industries, etc. All details of the luminaire are shatterproof! The luminaire lens is made of polycarbonate. Polycarbonate is a thermoplastic polymer used in various applications due to its durability, lightweight, and transparency. In case of malfunction within 5 years, the luminaire will be replaced with a new one. Through the initial calculation conducted by LED house, it becomes clear how many luminaires are needed to achieve the desired light density in the building. These luminaires use Mean Well power supplies, providing peace of mind with their reliability for a long time. The highest quality lighting solutions can be found in the [LED house product range!](#)

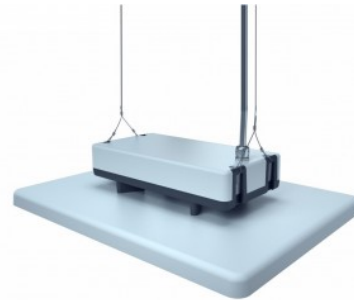


LED sports hall light PROLUMEN Arena HB200 UGR21 160lm/W gray 230V 200W 32000lm 110° IP65 840

Product code 17720 0-10V dimmable

Brand [PROLUMEN](#)
 Supply voltage 230V
 Dimmable 0-10V
 Output 200W
 Luminous flux 32000lumens
 Luminaire's efficiency lm79 160W
 Correlated colour temperature pure white 4000K
 Lens angle 110
 Source of light [CREE LED](#)
 Cri 80
 Ugr 21
 Sdcm - macadam ellipses 6
 Protection class IP65
 Lifespan 50000h
 Llmf tm21 L80B10 @25°C 50.000h
 Height 120.0mm
 Width 362.0mm
 Length 487.0mm
 Package weight 6500g
 Casing colour gray
 Casing material aluminum
 Polishing matt
 Power supply [MEAN WELL](#)
 Impact resistance IK10
 Work environment indoor use
 Operation temperature -40~70°C
 Certificates CE, RoHS
 Warranty 5 years

Applications: sports halls, workshops, event arenas, industries, etc. All details of the luminaire are shatterproof! The luminaire lens is made of polycarbonate. Polycarbonate is a thermoplastic polymer used in various applications due to its durability, lightweight, and transparency. In case of malfunction within 5 years, the luminaire will be replaced with a new one. Through the initial calculation conducted by LED house, it becomes clear how many luminaires are needed to achieve the desired light density in the building. These luminaires use Mean Well power supplies, providing peace of mind with their reliability for a long time. The highest quality lighting solutions can be found in the [LED house product range!](#)

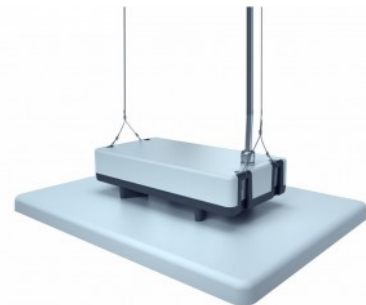


LED sports hall light PROLUMEN Arena HB200 UGR21 160lm/W gray 230V 200W 32000lm 80° IP65 850

Product code 16335

Brand [PROLUMEN](#)
 Supply voltage 230V
 Output 200W
 Luminous flux 32000lumens
 Luminaire's efficiency lm79 160W
 Correlated colour temperature pure white 5000K
 Lens angle 80
 Source of light [CREE LED](#)
 Cri 80
 Ugr 19
 Sdcm - macadam ellipses 6
 Protection class IP65
 Lifespan 50000h
 Llmf tm21 L80B10 @25°C 50.000h
 Height 120.0mm
 Width 362.0mm
 Length 487.0mm
 Package weight 6500g
 Casing colour gray
 Casing material aluminum
 Polishing matt
 Power supply OSRAM
 Impact resistance IK10
 Work environment indoor use
 Operation temperature -40~70°C
 Certificates CE, RoHS
 Warranty 5 years

Applications: sports halls, workshops, event arenas, industries, etc. All details of the luminaire are shatterproof! The luminaire lens is made of polycarbonate. Polycarbonate is a thermoplastic polymer used in various applications due to its durability, lightweight, and transparency. In case of malfunction within 5 years, the luminaire will be replaced with a new one. Through the initial calculation conducted by LED house, it becomes clear how many luminaires are needed to achieve the desired light density in the building. These luminaires use Mean Well power supplies, providing peace of mind with their reliability for a long time. The highest quality lighting solutions can be found in the [LED house product range!](#)

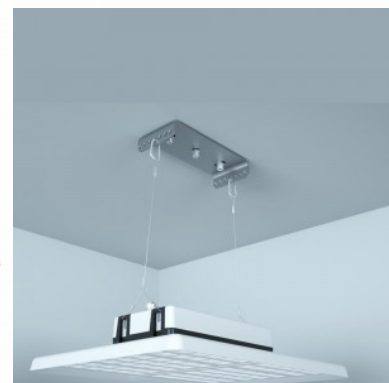
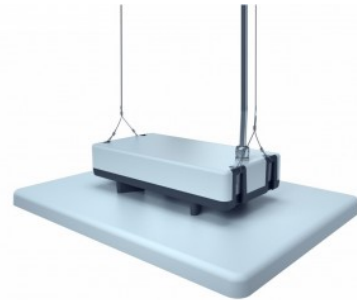


LED sports hall light PROLUMEN Arena HB200 UGR23 160lm/W gray 230V 200W 32000lm 110° IP65 840

Product code 15553 0-10V dimmable

Brand [PROLUMEN](#)
 Supply voltage 230V
 Dimmable 0-10V
 Output 200W
 Luminous flux 32000lumens
 Luminaire's efficiency lm79 160W
 Correlated colour temperature pure white 4000K
 Lens angle 110
 Source of light [CREE LED](#)
 Cri 80
 Ugr 23
 Sdcm - macadam ellipses 6
 Protection class IP65
 Lifespan 50000h
 Llmf tm21 L80B10 @25°C 50.000h
 Height 120.0mm
 Width 362.0mm
 Length 487.0mm
 Package weight 6500g
 Casing colour gray
 Casing material aluminum
 Polishing matt
 Power supply OSRAM
 Impact resistance IK10
 Work environment indoor use
 Operation temperature -40~70°C
 Certificates CE, RoHS
 Warranty 5 years

Applications: sports halls, workshops, event arenas, industries, etc. All details of the luminaire are shatterproof! The luminaire lens is made of polycarbonate. Polycarbonate is a thermoplastic polymer used in various applications due to its durability, lightweight, and transparency. In case of malfunction within 5 years, the luminaire will be replaced with a new one. Through the initial calculation conducted by LED house, it becomes clear how many luminaires are needed to achieve the desired light density in the building. These luminaires use Mean Well power supplies, providing peace of mind with their reliability for a long time. The highest quality lighting solutions can be found in the [LED house product range!](#)



LED explosion protected light PROLUMEN Elegance EX 1200 gray 230V 40W 6000lm 120° IP66 840

Product code 17028

Brand [PROLUMEN](#)
Supply voltage 230V
Power factor 0.95
Output 40W
Luminous flux 6000lumens
Luminaire's efficiency lm79 150W
Correlated colour temperature pure white 4000K
Lens angle 120
Source of light [BRIDGELUX LED](#)
Cri 80
Sdcm - macadam ellipses 6
Protection class IP66
Lifespan 50000h
Height 58.0mm
Width 70.0mm
Length 1200.0mm
In box 4pcs
Casing colour gray
Casing material aluminum
Impact resistance IK10
Work environment indoor / outdoor use
Warranty 5 years



Explosion-proof LED luminaire is a specially designed luminaire intended for use in hazardous environments where explosive gases, vapors, or dust clouds may occur. Created according to strict explosion-proof standards and certifications to ensure their safe use in such risk situations. Certificates of explosion-proof luminaire according to international standards: II 2G Ex eb mb IIC T4 Gb II 2D EX tb IIIC T(95C) Db You can find the best assortment of industrial lighting in the [LED house product range!](#)

LED explosion protected light PROLUMEN Elegance EX 1200 gray 230V 60W 9000lm 120° IP66 840

Product code 17029

Brand [PROLUMEN](#)
Supply voltage 230V
Power factor 0.95
Output 60W
Luminous flux 9000lumens
Luminaire's efficiency lm79 150W
Correlated colour temperature pure white 4000K
Lens angle 120
Source of light [BRIDGELUX LED](#)
Cri 80
Sdcm - macadam ellipses 6
Protection class IP66
Lifespan 50000h
Height 58.0mm
Width 70.0mm
Length 1200.0mm
Casing colour gray
Casing material aluminum
Impact resistance IK10
Work environment indoor / outdoor use
Warranty 5 years



Explosion-proof LED luminaire is a specially designed luminaire intended for use in hazardous environments where explosive gases, vapors, or dust clouds may occur. Created according to strict explosion-proof standards and certifications to ensure their safe use in such risk situations. Certificates of explosion-proof luminaire according to international standards: II 2G Ex eb mb IIC T4 Gb II 2D EX tb IIIC T(95C) Db You can find the best assortment of industrial lighting in the [LED house product range!](#)

LED explosion protected light PROLUMEN Elegance EX 600 gray 230V 20W 3000lm 120° IP66 840

Product code 17026

Brand [PROLUMEN](#)
Supply voltage 230V
Power factor 0.95
Output 20W
Luminous flux 3000lumens
Luminaire's efficiency lm79 150W
Correlated colour temperature pure white 4000K
Lens angle 120
Source of light [BRIDGELUX LED](#)
Cri 80
Sdcm - macadam ellipses 6
Protection class IP66
Lifespan 50000h
Height 58.0mm
Width 70.0mm
Length 600.0mm
Casing colour gray
Casing material aluminum
Impact resistance IK10
Work environment indoor / outdoor use
Warranty 5 years



Explosion-proof LED luminaire is a specially designed luminaire intended for use in hazardous environments where explosive gases, vapors, or dust clouds may occur. Created according to strict explosion-proof standards and certifications to ensure their safe use in such risk situations. Certificates of explosion-proof luminaire according to international standards: II 2G Ex eb mb IIC T4 Gb II 2D EX tb IIIC T(95C) Db You can find the best assortment of industrial lighting in the [LED house product range!](#)

LED explosion protected light PROLUMEN Elegance EX 600 gray 230V 40W 6000lm 120° IP66 840

Product code 17027

Brand [PROLUMEN](#)
Supply voltage 230V
Power factor 0.95
Output 40W
Luminous flux 6000lumens
Luminaire's efficiency lm79 150W
Correlated colour temperature pure white 4000K
Lens angle 120
Source of light [BRIDGELUX LED](#)
Cri 80
Sdcm - macadam ellipses 6
Protection class IP66
Lifespan 50000h
Height 58.0mm
Width 70.0mm
Length 600.0mm
Casing colour gray
Casing material aluminum
Impact resistance IK10
Work environment indoor / outdoor use
Warranty 5 years



Explosion-proof LED luminaire is a specially designed luminaire intended for use in hazardous environments where explosive gases, vapors, or dust clouds may occur. Created according to strict explosion-proof standards and certifications to ensure their safe use in such risk situations. Certificates of explosion-proof luminaire according to international standards: II 2G Ex eb mb IIC T4 Gb II 2D EX tb IIIC T(95C) Db You can find the best assortment of industrial lighting in the [LED house product range!](#)

LED explosion protected light PROLUMEN EXPL 1335 230V 80W 9600lm 120° IP65 840

Product code 15337

Brand [PROLUMEN](#)
 Supply voltage 230V
 Output 80W
 Luminous flux 9600lumens
 Luminaire's efficiency lm79 120W
 Correlated colour temperature pure white 4000K
 Lens angle 120
 Source of light [BRIDGELUX LED](#)
 Cri 80
 Sdcm - macadam ellipses 5
 Protection class IP65
 Lifespan 50000h
 Height 63.0mm
 Width 115.0mm
 Length 1335.0mm
 Power supply [LIFUD](#)
 Impact resistance IK10
 Work environment indoor / outdoor use
 Warranty 5 years



Explosion-proof LED luminaire is a specially designed luminaire intended for use in hazardous environments where explosive gases, vapors, or dust clouds may occur. Installed, for example, in power plants, gas stations, tunnels, etc. Created according to strict explosion-proof standards and certifications to ensure their safe use in such risky situations. Luminaire explosion-proof certifications according to international standards: II 2 G Ex e mb IIC T6 Gc Parima tööstusvalgustuse sortimendi leiad [LED house tootevalikust!](#)

LED industrial light PROLUMEN Galaxy 600 230V 100W 16000lm 80x110° IP54 840

Product code 15844

Brand [PROLUMEN](#)
 Supply voltage 230V
 Power factor 0.90
 Output 100W
 Luminous flux 16000lumens
 Luminaire's efficiency lm79 160W
 Correlated colour temperature pure white 4000K
 Lens angle 80x110
 Source of light [CREE LED](#)
 Cri 80
 Sdcm - macadam ellipses 6
 Protection class IP54
 Lifespan 50000h
 Llmf tm21 L90B10 @25°C 50.000h
 Height 59.0mm
 Width 150.0mm
 Length 576.0mm
 Casing material aluminum
 Power supply [PHILIPS](#)
 Impact resistance IK08
 Work environment indoor use
 Operation temperature -40C- +60°C
 Certificates CE, D, F
 Warranty 5 years



PROLUMEN Galaxy series offers versatile and powerful lighting solutions for various needs. These LED luminaires are equipped with high-quality components and provide excellent illumination both indoors and outdoors. The Galaxy series luminaires have several features and characteristics, including: 1. Various power options ranging from 100W to 200W, ensuring a wide selection for different applications. 2. High luminous flux, providing sufficient illumination for larger areas. 3. Different light distribution angles, including 30x90° and 80x110°, ensuring optimal lighting for different environments. 4. Different IP ratings, ensuring durability and suitability for various environmental conditions. 5. Daylight colour temperature (4000K) providing clear and ergonomic lighting for everyday activities. PROLUMEN Galaxy series luminaires are available with various additional features, including motion sensors or DALI systems, making them even more flexible and energy-efficient. Illuminate your world with LED House professionals - [check out our project portfolio here!](#)

LED industrial light PROLUMEN Galaxy 600 with motion sensor

230V 100W 14000lm 80x110° IP54 840

Product code 15973

Brand [PROLUMEN](#)
Supply voltage 230V
Output 100W
Luminous flux 14000lumens
Luminaire's efficiency lm79 140W
Correlated colour temperature pure white 4000K
Lens angle 80x110
Source of light [CREE LED](#)
Cri 80
Protection class IP54
Lifespan 50000h
Llmf tm21 L90B10 @25°C 50.000h
Height 56.0mm
Width 150.0mm
Length 577.0mm
Casing material aluminum
Power supply OSRAM
Impact resistance IK08
Work environment indoor use
Operation temperature -40C- +60°C
Certificates CE, D, F
Warranty 5 years



PROLUMEN Galaxy series offers versatile and powerful lighting solutions for various needs. These LED luminaires are equipped with high-quality components and provide excellent illumination both indoors and outdoors. The Galaxy series luminaires have several features and characteristics, including: 1. Various power options ranging from 100W to 200W, ensuring a wide selection for different applications. 2. High luminous flux, providing sufficient illumination for larger areas. 3. Different light distribution angles, including 30x90° and 80x110°, ensuring optimal lighting for different environments. 4. Different IP ratings, ensuring durability and suitability for various environmental conditions. 5. Daylight colour temperature (4000K) providing clear and ergonomic lighting for everyday activities. PROLUMEN Galaxy series luminaires are available with various additional features, including motion sensors or DALI systems, making them even more flexible and energy-efficient. Illuminate your world with LED House professionals - [check out our project portfolio here!](#)

LED warehouse light PROLUMEN Harrow 1500 DALI white 230V 75W 12000lm 90° IP65 840

Product code 17554 DALI dimmable

Brand [PROLUMEN](#)
 Supply voltage 230V
 Power factor 0.90
 Dimmable DALI
 Output 75W
 Luminous flux 12000lumens
 Luminaire's efficiency lm79 160W
 Correlated colour temperature pure white 4000K
 Lens angle 90
 Source of light [PHILIPS LED](#)
 Cri 80
 Ugr 25
 Sdcm - macadam ellipses 5
 Protection class IP65
 Lifespan 54000h
 Llmf tm21 L90B50 @25°C 50.000h
 Height 80.0mm
 Width 76.0mm
 Length 1540.0mm
 In package 1pc
 In box 9pcs
 Casing colour white
 Casing material aluminum
 Power supply ENEC certified
 Impact resistance IK10
 Work environment indoor / outdoor use
 Operation temperature -20° - +45°C
 Certificates TUV CE, CB, RoHS
 Warranty 5 years

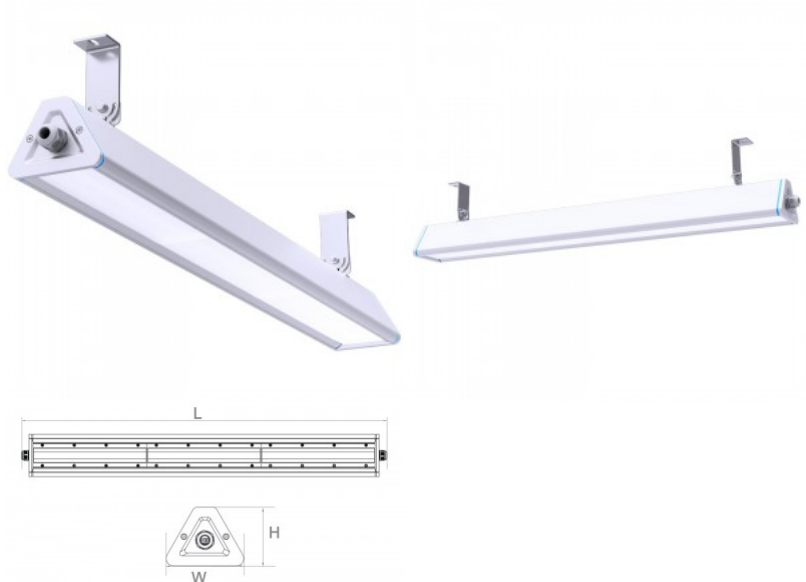


Harrow - an innovative [industrial and warehouse luminaire](#) that meets a wide range of expectations, boasting an unusually long lifespan and high quality. The Dreamboat luminaire meets various demands: 1. It can be installed either surface-mounted or suspended. 2. DALI dimming technology allows adjusting light intensity according to needs. 3. Power can be changed with a button press, making it possible to install the luminaire at different heights. The luminaire has end caps at both ends, making wiring and maintenance exceptionally easy. Additionally, maintenance costs are lower than usual because individual components of the luminaire can be replaced separately, eliminating the need to replace the entire luminaire in case of a malfunction. Illuminate your world with LED House professionals - [check out our project portfolio here!](#)

LED industrial light PROLUMEN Hemera white 230V 100W 16000lm 30x90° IP66 840

Product code 17822

Brand [PROLUMEN](#)
 Supply voltage 230V
 Power factor 0.95
 Output 100W
 Luminous flux 16000lumens
 Luminaire's efficiency lm79 160W
 Correlated colour temperature pure white 4000K
 Lens angle 30x90
 Source of light [PHILIPS LED](#)
 Cri 80
 Sdcm - macadam ellipses 6
 Protection class IP66
 Lifespan 50000h
 Llmf tm21 L70B50 @25°C 150.000h
 Height 79.0mm
 Width 105.4mm
 Length 592.0mm
 In package 1pc
 Casing colour white
 Casing material aluminum
 Polishing matt
 Power supply [SOSEN](#)
 Impact resistance IK08
 Work environment indoor use
 Operation temperature -40° - +65°C
 Certificates CE, RoHS, D
 Warranty 5 years

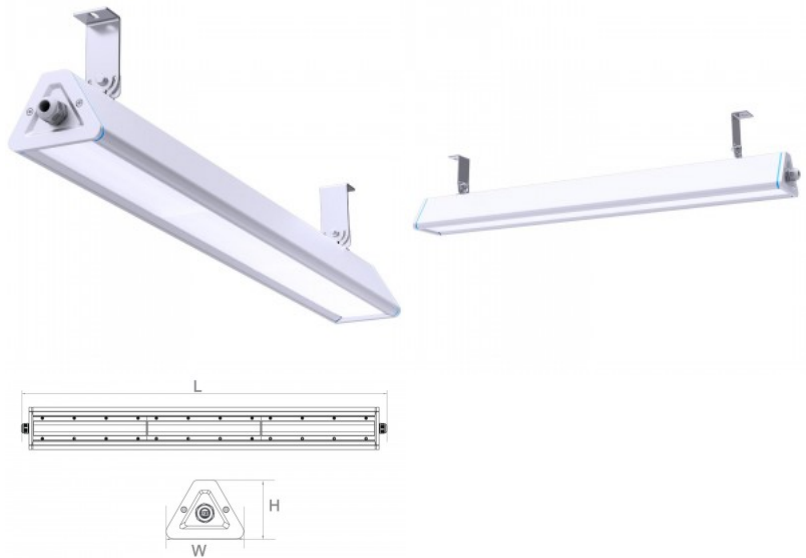


A top-tier LED industrial light that saves you time on maintenance while illuminating spaces more efficiently than many others. The Hemera industrial light has a unique triangular housing design. Smooth surface, no dust, and no water accumulation. The strip mining lamp uses a special lens and PCB design to achieve a unique linear lighting effect. This not only enhances the aesthetics of lighting and improves light distribution efficiency but also reduces glare.

LED industrial light PROLUMEN Hemera white 230V 150W 24000lm 30x90° IP66 840

Product code 17821

Brand [PROLUMEN](#)
 Supply voltage 230V
 Power factor 0.95
 Output 150W
 Luminous flux 24000lumens
 Luminaire's efficiency lm79 160W
 Correlated colour temperature pure white 4000K
 Lens angle 30x90
 Source of light [PHILIPS LED](#)
 Cri 80
 Sdcm - macadam ellipses 6
 Protection class IP66
 Lifespan 50000h
 Llmf tm21 L70B50 @25°C 150.000h
 In package 1pc
 Casing colour white
 Casing material aluminum
 Polishing matt
 Power supply [SOSEN](#)
 Impact resistance IK08
 Work environment indoor use
 Operation temperature -40 - +65°C
 Certificates CE, RoHS, D
 Warranty 5 years

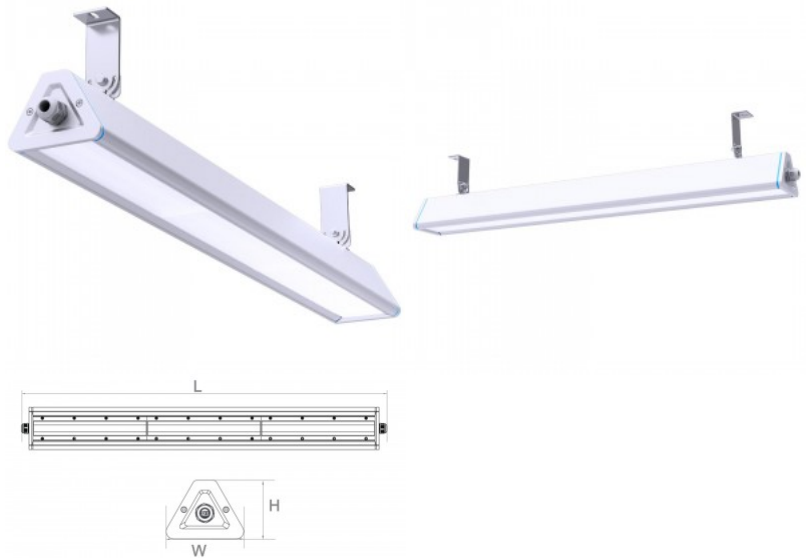


A top-tier LED industrial light that saves you time on maintenance while illuminating spaces more efficiently than many others. The Hemera industrial light has a unique triangular housing design. Smooth surface, no dust, and no water accumulation. The strip mining lamp uses a special lens and PCB design to achieve a unique linear lighting effect. This not only enhances the aesthetics of lighting and improves light distribution efficiency but also reduces glare.

LED industrial light PROLUMEN Hemera white 230V 200W 32000lm 30x90° IP66 840

Product code 17823

Brand [PROLUMEN](#)
 Supply voltage 230V
 Power factor 0.95
 Output 200W
 Luminous flux 32000lumens
 Luminaire's efficiency lm79 160W
 Correlated colour temperature pure white 4000K
 Lens angle 30x90
 Source of light [PHILIPS LED](#)
 Cri 80
 Sdcm - macadam ellipses 6
 Protection class IP66
 Lifespan 50000h
 Llmf tm21 L70B50 @25°C 150.000h
 In package 1pc
 Casing colour white
 Casing material aluminum
 Polishing matt
 Power supply [SOSEN](#)
 Impact resistance IK08
 Work environment indoor use
 Operation temperature -40 - +65°C
 Certificates CE, RoHS, D
 Warranty 5 years



A top-tier LED industrial light that saves you time on maintenance while illuminating spaces more efficiently than many others. The Hemera industrial light has a unique triangular housing design. Smooth surface, no dust, and no water accumulation. The strip mining lamp uses a special lens and PCB design to achieve a unique linear lighting effect. This not only enhances the aesthetics of lighting and improves light distribution efficiency but also reduces glare.

LED industrial light PROLUMEN HiClean 230V 100W 14000lm 90° IP66 840

Product code 16231

Brand [PROLUMEN](#)

Supply voltage 230V

Output 100W

Luminous flux 14000lumens

Luminaire's efficiency lm79 140W

Correlated colour temperature pure white 4000K

Lens angle 90

Source of light [NICHIA LED](#)

Cri 80

Protection class IP66

Lifespan 50000h

Llmf tm21 L80B10 @25°C 50.000h

Height 200.0mm

Diameter 489.0mm

Casing material aluminum

No. of switches 40000pcs

Power supply [MEAN WELL](#)

Work environment indoor use

Operation temperature -30°C - +50°C

Certificates CE, RoHS

Warranty 5 years

Special industrial luminaire for the paper and wood industry. HiClean is an industrial luminaire with breakthrough design, featuring a smooth housing, aesthetics, and dust-resistant properties. With ultra-efficient heat dissipation technology. The new models are 140lm/W or 160lm/W. Stainless steel screws Luminaire does not contain toxic chemicals. Safe optical lens. Stylish design allowing easy cleaning. Automatic shutdown protection IP66 or IP69K IK10 NSF certificate, suitable for use in the food industry. The easily flammable dust on the luminaire is not dangerous as the luminaire cooling is extended throughout the housing. Illuminate your world with LED House professionals - [check out our project portfolio here!](#)



LED industrial light PROLUMEN Quad Bay 160lm/W 230V 200W 32000lm 60° IP65 740

Product code 14729

Brand [PROLUMEN](#)

Supply voltage 230V

Output 200W

Luminous flux 32000lumens

Luminaire's efficiency lm79 160W

Correlated colour temperature pure white 4000K

Lens angle 60

Source of light [LUMILEDS](#)

Cri 70

Protection class IP65

Lifespan 50000h

Height 151.0mm

Width 430.0mm

Length 430.0mm

Weight 5100g

Casing material aluminum

Power supply [MEAN WELL](#)

Work environment outdoor use

Operation temperature -40°C ~ 60°C

Certificates CE, RoHS

Warranty 5 years



Excellent LED luminaire for illuminating squares, large tents, or spaces from the center. The luminaire has four rotatable LED panels that can be positioned at different angles.

4000K LED lights provide clear and sharp light, perfect for illuminating shops and other commercial spaces.

The luminaire's dust and moisture resistance is IP65, making it suitable for outdoor use. Illuminate your world with LED House professionals - [check out our project portfolio here!](#)

LED industrial light PROLUMEN QUATTRO 1200 230V 40W 6400lm 120° IP66 840

Product code 17638

Brand [PROLUMEN](#)
Supply voltage 230V
Power factor 0.95
Output 40W
Luminous flux 6400lumens
Luminaire's efficiency lm79 160W
Correlated colour temperature pure white 4000K
Lens angle 120
Source of light [BRIDGELUX LED](#)
Cri 80
Protection class IP66
Lifespan 50000h
Height 102.0mm
Width 122.0mm
Length 1200.0mm
In package 1pc
Casing material aluminum
Polishing matt
Power supply OSRAM
Impact resistance IK10
Work environment indoor / outdoor use
Certificates CE, ENEC, SAA
Warranty 5 years



PROLUMEN QUATTRO series lights are high-quality and powerful lighting solutions for various needs. These LED lights are equipped with quality components and provide excellent illumination both indoors and outdoors. The QUATTRO series lights have several features: 1. Various power options ranging from 60W to 150W, suitable for different applications. 2. High luminous intensity provides sufficient illumination for larger areas. 3. Wide beam angle of 120° ensures uniform illumination. 4. High IP66 protection class ensures durability and suitability for various environmental conditions. 5. Daylight colour temperature (4000K) provides clear and ergonomic lighting for daily activities. PROLUMEN QUATTRO series lights are ideal choices for both industrial and commercial lighting, offering energy efficiency and durability in various conditions. Illuminate your world with LED House professionals - [check out our project portfolio here!](#)

LED industrial light PROLUMEN QUATTRO 1200 gray 230V 60W 9600lm 120° IP66 840

Product code 17019

Brand [PROLUMEN](#)
Supply voltage 230V
Power factor 0.90
Output 60W
Luminous flux 9600lumens
Luminaire's efficiency lm79 160W
Correlated colour temperature pure white 4000K
Lens angle 120
Source of light [BRIDGELUX LED](#)
Cri 80
Protection class IP66
Lifespan 50000h
Llmf tm21 L80B10 @25°C 50.000h
Height 102.0mm
Width 122.0mm
Length 1200.0mm
In package 1pc
Casing colour gray
Casing material aluminum + plastic
Polishing matt
Power supply OSRAM
Impact resistance IK10
Work environment indoor / outdoor use
Certificates CE, D, F
Warranty 5 years



PROLUMEN QUATTRO series lights are high-quality and powerful lighting solutions for various needs. These LED lights are equipped with quality components and provide excellent illumination both indoors and outdoors. The QUATTRO series lights have several features: 1. Various power options ranging from 60W to 150W, suitable for different applications. 2. High luminous intensity provides sufficient illumination for larger areas. 3. Wide beam angle of 120° ensures uniform illumination. 4. High IP66 protection class ensures durability and suitability for various environmental conditions. 5. Daylight colour temperature (4000K) provides clear and ergonomic lighting for daily activities. PROLUMEN QUATTRO series lights are ideal choices for both industrial and commercial lighting, offering energy efficiency and durability in various conditions. Illuminate your world with LED House professionals - [check out our project portfolio here!](#)

LED industrial light PROLUMEN QUATTRO 1200 gray 230V 80W 12800lm 120° IP66 840

Product code 17020

Brand [PROLUMEN](#)
Supply voltage 230V
Power factor 0.90
Output 80W
Luminous flux 12800lumens
Luminaire's efficiency lm79 160W
Correlated colour temperature pure white 4000K
Lens angle 120
Source of light [BRIDGELUX LED](#)
Cri 80
Protection class IP66
Lifespan 50000h
Llmf tm21 L80B10 @25°C 50.000h
Height 102.0mm
Width 122.0mm
Length 1200.0mm
In package 1pc
Casing colour gray
Casing material aluminum + plastic
Polishing matt
Power supply OSRAM
Impact resistance IK10
Work environment indoor / outdoor use
Certificates CE, D, F
Warranty 5 years



PROLUMEN QUATTRO series lights are high-quality and powerful lighting solutions for various needs. These LED lights are equipped with quality components and provide excellent illumination both indoors and outdoors. The QUATTRO series lights have several features: 1. Various power options ranging from 60W to 150W, suitable for different applications. 2. High luminous intensity provides sufficient illumination for larger areas. 3. Wide beam angle of 120° ensures uniform illumination. 4. High IP66 protection class ensures durability and suitability for various environmental conditions. 5. Daylight colour temperature (4000K) provides clear and ergonomic lighting for daily activities. PROLUMEN QUATTRO series lights are ideal choices for both industrial and commercial lighting, offering energy efficiency and durability in various conditions. Illuminate your world with LED House professionals - [check out our project portfolio here!](#)

LED industrial light PROLUMEN QUATTRO 1500 gray 230V 150W 24000lm 120° IP66 840

Product code 17018

Brand [PROLUMEN](#)
Supply voltage 230V
Power factor 0.90
Output 150W
Luminous flux 24000lumens
Luminaire's efficiency lm79 160W
Correlated colour temperature pure white 4000K
Lens angle 120
Source of light [BRIDGELUX LED](#)
Cri 80
Protection class IP66
Lifespan 50000h
Llmf tm21 L80B10 @25°C 50.000h
Height 102.0mm
Width 122.0mm
Length 1500.0mm
In package 1pc
Casing colour gray
Casing material aluminum + plastic
Polishing matt
Power supply [SOSEN](#)
Impact resistance IK10
Work environment indoor / outdoor use
Certificates CE, D, F
Warranty 5 years



PROLUMEN QUATTRO series lights are high-quality and powerful lighting solutions for various needs. These LED lights are equipped with quality components and provide excellent illumination both indoors and outdoors. The QUATTRO series lights have several features: 1. Various power options ranging from 60W to 150W, suitable for different applications. 2. High luminous intensity provides sufficient illumination for larger areas. 3. Wide beam angle of 120° ensures uniform illumination. 4. High IP66 protection class ensures durability and suitability for various environmental conditions. 5. Daylight colour temperature (4000K) provides clear and ergonomic lighting for daily activities. PROLUMEN QUATTRO series lights are ideal choices for both industrial and commercial lighting, offering energy efficiency and durability in various conditions. Illuminate your world with LED House professionals - [check out our project portfolio here!](#)

LED industrial light PROLUMEN QUATTRO 600 230V 30W 4800lm 120° IP66 840

Product code 17637

Brand [PROLUMEN](#)
Supply voltage 230V
Power factor 0.95
Output 30W
Luminous flux 4800lumens
Luminaire's efficiency lm79 160W
Correlated colour temperature pure white 4000K
Lens angle 120
Source of light [BRIDGELUX LED](#)
Cri 80
Protection class IP66
Lifespan 50000h
Height 102.0mm
Width 122.0mm
Length 600.0mm
In package 1pc
Casing material aluminum
Polishing matt
Power supply OSRAM
Impact resistance IK10
Work environment indoor / outdoor use
Certificates CE, ENEC, SAA
Warranty 5 years



PROLUMEN QUATTRO series lights are high-quality and powerful lighting solutions for various needs. These LED lights are equipped with quality components and provide excellent illumination both indoors and outdoors. The QUATTRO series lights have several features: 1. Various power options ranging from 60W to 150W, suitable for different applications. 2. High luminous intensity provides sufficient illumination for larger areas. 3. Wide beam angle of 120° ensures uniform illumination. 4. High IP66 protection class ensures durability and suitability for various environmental conditions. 5. Daylight colour temperature (4000K) provides clear and ergonomic lighting for daily activities. PROLUMEN QUATTRO series lights are ideal choices for both industrial and commercial lighting, offering energy efficiency and durability in various conditions. Illuminate your world with LED House professionals - [check out our project portfolio here!](#)

LED industrial light PROLUMEN T19B + microwave motion sensor silvery 230V 150W 19500lm 110° IP42 840

Product code 13900 0-10V dimmable

Brand [PROLUMEN](#)

Supply voltage 230V

Dimmable 0-10V

Output 150W

Luminous flux 19500lumens

Luminaire's efficiency lm79 130W

Correlated colour temperature pure white 4000K

Lens angle 110

Cri 80

Sdcm - macadam ellipses 5

Protection class IP42

Lifespan 50000h

Llmf tm21 L80B10 @25°C 50.000h

Height 90.0mm

Width 218.0mm

Length 600.0mm

Weight 4000g

Package weight 5200g

In package 1pc

Casing colour silvery

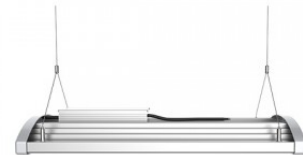
Casing material aluminum + plastic

Power supply TOMCARLINE

Work environment indoor use

Certificates CE, RoHS

Warranty 5 years

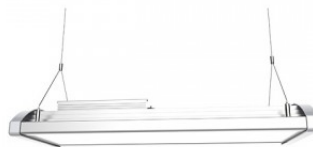
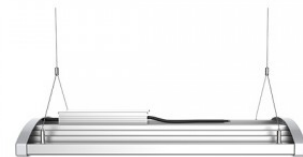


The PROLUMEN T19B series offers versatile lighting solutions for various needs. These silver lights are available in different power ratings and configurations, including those equipped with motion sensors or DALI systems. Their features include a high level of luminous flux, a wide light distribution angle, IP42 protection class, and daylight color temperature. . PROLUMEN T19B series lights are energy-efficient and durable, providing clear and ergonomic lighting in various environments. Illuminate your world with LED House professionals - [check out our project portfolio here!](#)

LED industrial light PROLUMEN T19B DALI silvery 230V 150W 19500lm 120° IP42 840

Product code 15848 DALI dimmable

Brand [PROLUMEN](#)
 Supply voltage 230V
 Dimmable DALI
 Output 150W
 Luminous flux 19500lumens
 Luminaire's efficiency lm79 130W
 Correlated colour temperature pure white 4000K
 Lens angle 120
 Cri 80
 Sdcm - macadam ellipses 5
 Protection class IP42
 Lifespan 50000h
 Llmf tm21 L80B10 @25°C 50.000h
 Height 90.0mm
 Width 218.0mm
 Length 600.0mm
 Weight 4000g
 Package weight 5200g
 In package 1pc
 Casing colour silvery
 Casing material aluminum + plastic
 Power supply TOMCARLINE
 Work environment indoor use
 Certificates CE, RoHS
 Warranty 5 years



The PROLUMEN T19B series offers versatile lighting solutions for various needs. These silver lights are available in different power ratings and configurations, including those equipped with motion sensors or DALI systems. Their features include a high level of luminous flux, a wide light distribution angle, IP42 protection class, and daylight color temperature. . PROLUMEN T19B series lights are energy-efficient and durable, providing clear and ergonomic lighting in various environments. Illuminate your world with LED House professionals - [check out our project portfolio here!](#)

LED industrial light PROLUMEN T19B DALI silvery 230V 200W 26000lm 120° IP42 840

Product code 15855 DALI dimmable

Brand [PROLUMEN](#)

Supply voltage 230V

Dimmable DALI

Output 200W

Luminous flux 26000lumens

Luminaire's efficiency lm79 130W

Correlated colour temperature pure white 4000K

Lens angle 120

Cri 80

Sdcm - macadam ellipses 5

Protection class IP42

Lifespan 50000h

Llmf tm21 L80B10 @25°C 50.000h

Height 90.0mm

Width 218.0mm

Length 810.0mm

In package 1pc

Casing colour silvery

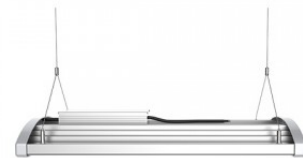
Casing material aluminum + plastic

Power supply TOMCARLINE

Work environment indoor use

Certificates CE, RoHS

Warranty 5 years



The PROLUMEN T19B series offers versatile lighting solutions for various needs. These silver lights are available in different power ratings and configurations, including those equipped with motion sensors or DALI systems. Their features include a high level of luminous flux, a wide light distribution angle, IP42 protection class, and daylight color temperature. . PROLUMEN T19B series lights are energy-efficient and durable, providing clear and ergonomic lighting in various environments. Illuminate your world with LED House professionals - [check out our project portfolio here!](#)

LED industrial light PROLUMEN TP LINK 1200 white 230V 40W 5600lm 120° IP65 840

Product code 15705

Brand [PROLUMEN](#)
 Supply voltage 230V
 Power factor 0.90
 Output 40W
 Luminous flux 5600lumens
 Luminaire's efficiency lm79 140W
 Correlated colour temperature pure white 4000K
 Lens angle 120
 Source of light [BRIDGELUX LED](#)
 Cri 80
 Lor 80
 Sdcm - macadam ellipses 6
 Protection class IP65
 Lifespan 50000h
 Llmf tm21 L80B10 @25°C 50.000h
 Height 65.0mm
 Width 74.0mm
 Length 1221.0mm
 In package 1pc
 In box 6pcs
 Casing colour white
 Casing material aluminum + plastic
 Polishing matt
 Power supply [TRIDONIC](#)
 Impact resistance IK08
 Work environment indoor / outdoor use
 Operation temperature -20° +40°C
 Certificates CE, D, F
 Warranty 5 years



LED industrial luminaire, suitable for use in workshops, warehouses, corridors, under roofs, garages, etc. In workspaces, LED lighting is an excellent choice: it provides bright and ergonomic lighting, which helps maintain employees' focus and productivity. Reliability is ensured by the OSRAM power supply unit and a 5-year warranty. If the luminaire fails within 5 years, we will replace it with a new one! Very easy and quick installation: The luminaire fits between two clips, which are fastened with two screws. On average, installation takes less than 3 minutes! IP65 protection class ensures strong waterproofness of the luminaire and allows it to be used in outdoor conditions, where it may even be under direct water pressure. Illuminate your world with the help of LED House professionals - check out our portfolio of projects [here!](#)

LED industrial light PROLUMEN TP LINK 1200 white 230V 40W 5600lm CRI80 120° IP65 3000K, 4000K, 5000K WW/DW/CW

Product code 17603

Brand [PROLUMEN](#)
 Supply voltage 230V
 Power factor 0.90
 Output 40W
 Luminous flux 5600lumens
 Luminaire's efficiency lm79 140W
 Correlated colour temperature
 WW/DW/CW 3000K, 4000K, 5000K
 Lens angle 120
 Source of light [BRIDGELUX LED](#)
 Cri 80
 Lor 80
 Sdcm - macadam ellipses 6
 Protection class IP65
 Lifespan 50000h
 Llmf tm21 L80B10 @25°C 50.000h
 Height 65.0mm
 Width 74.0mm
 Length 1221.0mm
 In package 1pc
 In box 6pcs
 Casing colour white
 Casing material aluminum + plastic
 Polishing matt
 Power supply [TRIDONIC](#)
 Impact resistance IK08
 Work environment indoor / outdoor
 use
 Operation temperature -20° +40°C
 Certificates CE, D, F
 Warranty 5 years



LED industrial luminaire, suitable for use in workshops, warehouses, corridors, under roofs, garages, etc. In workspaces, LED lighting is an excellent choice: it provides bright and ergonomic lighting, which helps maintain employees' focus and productivity. Reliability is ensured by the OSRAM power supply unit and a 5-year warranty. If the luminaire fails within 5 years, we will replace it with a new one! Very easy and quick installation: The luminaire fits between two clips, which are fastened with two screws. On average, installation takes less than 3 minutes! IP65 protection class ensures strong waterproofness of the luminaire and allows it to be used in outdoor conditions, where it may even be under direct water pressure. Illuminate your world with the help of LED House professionals - check out our portfolio of projects [here!](#)

LED industrial light PROLUMEN TP LINK 1500 30-60W 230V 60W 8400lm 120° IP65 840

Product code 15735

Brand [PROLUMEN](#)
 Supply voltage 230V
 Power factor 0.95
 Output 60W
 Luminous flux 8400lumens
 Luminaire's efficiency lm79 140W
 Correlated colour temperature pure white 4000K
 Lens angle 120
 Source of light [BRIDGELUX LED](#)
 Cri 80
 Lor 80
 Sdcm - macadam ellipses 6
 Protection class IP65
 Lifespan 50000h
 Llmf tm21 L80B10 @25°C 50.000h
 Height 65.0mm
 Width 74.0mm
 Length 1502.0mm
 In package 1pc
 In box 6pcs
 Casing material aluminum + plastic
 Polishing matt
 Power supply OSRAM
 Impact resistance IK08
 Work environment indoor / outdoor use
 Operation temperature -20° +40°C
 Certificates CE, D, F
 Warranty 5 years



LED industrial luminaire, suitable for use in workshops, warehouses, corridors, under roofs, garages, etc. In workspaces, LED lighting is an excellent choice: it provides bright and ergonomic lighting, which helps maintain employees' focus and productivity. Reliability is ensured by the OSRAM power supply unit and a 5-year warranty. If the luminaire fails within 5 years, we will replace it with a new one! Very easy and quick installation: The luminaire fits between two clips, which are fastened with two screws. On average, installation takes less than 3 minutes! IP65 protection class ensures strong waterproofness of the luminaire and allows it to be used in outdoor conditions, where it may even be under direct water pressure. Illuminate your world with the help of LED House professionals - check out our portfolio of projects [here!](#)

LED industrial light PROLUMEN TP LINK 1500 white 230V 60W 8400lm 120° IP65 840

Product code 15706

Brand [PROLUMEN](#)
 Supply voltage 230V
 Power factor 0.90
 Output 60W
 Luminous flux 8400lumens
 Luminaire's efficiency lm79 140W
 Correlated colour temperature pure white 4000K
 Lens angle 120
 Source of light [BRIDGELUX LED](#)
 Cri 80
 Lor 80
 Sdcm - macadam ellipses 6
 Protection class IP65
 Lifespan 50000h
 Llmf tm21 L80B10 @25°C 50.000h
 Height 65.0mm
 Width 74.0mm
 Length 1502.0mm
 In package 1pc
 In box 6pcs
 Casing colour white
 Casing material aluminum + plastic
 Polishing matt
 Power supply [TRIDONIC](#)
 Impact resistance IK08
 Work environment indoor / outdoor use
 Operation temperature -20° +40°C
 Certificates CE, D, F
 Warranty 5 years



LED industrial luminaire, suitable for use in workshops, warehouses, corridors, under roofs, garages, etc. In workspaces, LED lighting is an excellent choice: it provides bright and ergonomic lighting, which helps maintain employees' focus and productivity. Reliability is ensured by the OSRAM power supply unit and a 5-year warranty. If the luminaire fails within 5 years, we will replace it with a new one! Very easy and quick installation: The luminaire fits between two clips, which are fastened with two screws. On average, installation takes less than 3 minutes! IP65 protection class ensures strong waterproofness of the luminaire and allows it to be used in outdoor conditions, where it may even be under direct water pressure. Illuminate your world with the help of LED House professionals - check out our portfolio of projects [here!](#)

LED industrial light PROLUMEN TP LINK 1500 white 230V 60W 8400lm CRI80 120° IP65 3000K, 4000K, 5000K WW/DW/CW

Product code 17602

Brand [PROLUMEN](#)
 Supply voltage 230V
 Power factor 0.90
 Output 60W
 Luminous flux 8400lumens
 Luminaire's efficiency lm79 140W
 Correlated colour temperature
 WW/DW/CW 3000K, 4000K, 5000K
 Lens angle 120
 Source of light [BRIDGELUX LED](#)
 Cri 80
 Lor 80
 Sdcm - macadam ellipses 6
 Protection class IP65
 Lifespan 50000h
 Llmf tm21 L80B10 @25°C 50.000h
 Height 65.0mm
 Width 74.0mm
 Length 1502.0mm
 In package 1pc
 In box 6pcs
 Casing colour white
 Casing material aluminum + plastic
 Polishing matt
 Power supply [TRIDONIC](#)
 Impact resistance IK08
 Work environment indoor / outdoor
 use
 Operation temperature -20° +40°C
 Certificates CE, D, F
 Warranty 5 years



LED industrial luminaire, suitable for use in workshops, warehouses, corridors, under roofs, garages, etc. In workspaces, LED lighting is an excellent choice: it provides bright and ergonomic lighting, which helps maintain employees' focus and productivity. Reliability is ensured by the OSRAM power supply unit and a 5-year warranty. If the luminaire fails within 5 years, we will replace it with a new one! Very easy and quick installation: The luminaire fits between two clips, which are fastened with two screws. On average, installation takes less than 3 minutes! IP65 protection class ensures strong waterproofness of the luminaire and allows it to be used in outdoor conditions, where it may even be under direct water pressure. Illuminate your world with the help of LED House professionals - check out our portfolio of projects [here!](#)

LED industrial light PROLUMEN TP LINK 600 white 230V 20W 2800lm 120° IP65 840

Product code 14717

Brand [PROLUMEN](#)
 Supply voltage 230V
 Power factor 0.90
 Output 20W
 Luminous flux 2800lumens
 Luminaire's efficiency lm79 140W
 Correlated colour temperature pure white 4000K
 Lens angle 120
 Source of light [BRIDGELUX LED](#)
 Cri 80
 Lor 80
 Sdcm - macadam ellipses 6
 Protection class IP65
 Lifespan 50000h
 Llmf tm21 L80B10 @25°C 50.000h
 Height 64.0mm
 Width 74.0mm
 Length 659.0mm
 Weight 800g
 Package weight 132g
 Casing colour white
 Casing material aluminum + plastic
 Polishing matt
 Power supply OSRAM
 Impact resistance IK08
 Work environment indoor / outdoor use
 Operation temperature -20° +40°C
 Certificates CE, D, F
 Warranty 5 years



LED industrial luminaire, suitable for use in workshops, warehouses, corridors, under roofs, garages, etc. In workspaces, LED lighting is an excellent choice: it provides bright and ergonomic lighting, which helps maintain employees' focus and productivity. Reliability is ensured by the OSRAM power supply unit and a 5-year warranty. If the luminaire fails within 5 years, we will replace it with a new one! Very easy and quick installation: The luminaire fits between two clips, which are fastened with two screws. On average, installation takes less than 3 minutes! IP65 protection class ensures strong waterproofness of the luminaire and allows it to be used in outdoor conditions, where it may even be under direct water pressure. Illuminate your world with the help of LED House professionals - check out our portfolio of projects [here!](#)

LED industrial light PROLUMEN UFO ASTRONAUT DALI white 230V 150W 24000lm 110° IP65 850

Product code 17820 DALI dimmable

Brand [PROLUMEN](#)
 Supply voltage 230V
 Power factor 0.95
 Dimmable DALI
 Output 150W
 Luminous flux 24000lumens
 Luminaire's efficiency lm79 160W
 Correlated colour temperature pure white 5000K
 Lens angle 110
 Source of light [PHILIPS LED](#)
 Cri 80
 Sdcm - macadam ellipses 6
 Protection class IP65
 Lifespan 50000h
 Llmf tm21 L80B10 @25°C 50.000h
 Height 130.0mm
 Diameter 380.0mm
 Weight 2500g
 Package weight 3700g
 In package 1pc
 Casing colour white
 Casing material aluminum
 Polishing matt
 Power supply [SOSEN](#)
 Impact resistance IK08
 Work environment indoor use
 Operation temperature -40 - +60°C
 Certificates CE, RoHS, D
 Warranty 5 years



High-quality UFO-type LED industrial luminaire. Ideal for warehouses, industrial buildings, and manufacturing. With lighting calculations, you can determine how many luminaires are needed for the desired light intensity in an area. The IP65 protection class means that the luminaire is protected against fine dust and water jets. The luminaire has a light temperature of 4000K, providing daylight-like illumination - the most suitable light for work environments. With proper use, the luminaire is energy-efficient, environmentally friendly, and has a very long lifespan (50,000 hours). You can find the best assortment of industrial lighting in the [LED house product range!](#)

LED industrial light PROLUMEN UFO ASTRONAUT white 230V 100W 16000lm 110° IP65 840

Product code 17124

Brand [PROLUMEN](#)
 Supply voltage 230V
 Power factor 0.95
 Output 100W
 Luminous flux 16000lumens
 Luminaire's efficiency lm79 160W
 Correlated colour temperature pure white 4000K
 Lens angle 110
 Source of light [PHILIPS LED](#)
 Cri 80
 Sdcm - macadam ellipses 6
 Protection class IP65
 Lifespan 50000h
 Llmf tm21 L80B10 @25°C 50.000h
 Height 130.0mm
 Diameter 380.0mm
 Weight 2500g
 Package weight 3700g
 In package 1pc
 Casing colour white
 Casing material aluminum
 Polishing matt
 Power supply [SOSEN](#)
 Impact resistance IK08
 Work environment indoor use
 Operation temperature -40 - +60°C
 Certificates CE, RoHS
 Warranty 5 years



High-quality UFO-type LED industrial luminaire. Ideal for warehouses, industrial buildings, and manufacturing. With lighting calculations, you can determine how many luminaires are needed for the desired light intensity in an area. The IP65 protection class means that the luminaire is protected against fine dust and water jets. The luminaire has a light temperature of 4000K, providing daylight-like illumination - the most suitable light for work environments. With proper use, the luminaire is energy-efficient, environmentally friendly, and has a very long lifespan (50,000 hours). You can find the best assortment of industrial lighting in the [LED house product range!](#)

LED industrial light PROLUMEN UFO ASTRONAUT white 230V 150W 24000lm 110° IP65 840

Product code 17125

Brand [PROLUMEN](#)
 Supply voltage 230V
 Power factor 0.95
 Output 150W
 Luminous flux 24000lumens
 Luminaire's efficiency lm79 160W
 Correlated colour temperature pure white 4000K
 Lens angle 110
 Source of light [PHILIPS LED](#)
 Cri 80
 Sdcm - macadam ellipses 6
 Protection class IP65
 Lifespan 50000h
 Llmf tm21 L80B10 @25°C 50.000h
 Height 130.0mm
 Diameter 380.0mm
 Weight 2500g
 Package weight 3700g
 In package 1pc
 Casing colour white
 Casing material aluminum
 Polishing matt
 Power supply [SOSEN](#)
 Impact resistance IK08
 Work environment indoor use
 Operation temperature -40 - +60°C
 Certificates CE, RoHS, D
 Warranty 5 years



High-quality UFO-type LED industrial luminaire. Ideal for warehouses, industrial buildings, and manufacturing. With lighting calculations, you can determine how many luminaires are needed for the desired light intensity in an area. The IP65 protection class means that the luminaire is protected against fine dust and water jets. The luminaire has a light temperature of 4000K, providing daylight-like illumination - the most suitable light for work environments. With proper use, the luminaire is energy-efficient, environmentally friendly, and has a very long lifespan (50,000 hours). You can find the best assortment of industrial lighting in the [LED house product range!](#)

LED industrial light PROLUMEN UFO ASTRONAUT white 230V 200W 32000lm 110° IP65 840

Product code 17126

Brand [PROLUMEN](#)
 Supply voltage 230V
 Power factor 0.95
 Output 200W
 Luminous flux 32000lumens
 Luminaire's efficiency lm79 160W
 Correlated colour temperature pure white 4000K
 Lens angle 110
 Source of light [PHILIPS LED](#)
 Cri 80
 Sdcm - macadam ellipses 6
 Protection class IP65
 Lifespan 50000h
 Llmf tm21 L80B10 @25°C 50.000h
 Height 130.0mm
 Diameter 380.0mm
 Weight 2500g
 Package weight 3700g
 In package 1pc
 Casing colour white
 Casing material aluminum
 Polishing matt
 Power supply [SOSEN](#)
 Impact resistance IK08
 Work environment indoor use
 Operation temperature -40 - +60°C
 Certificates CE, RoHS
 Warranty 5 years



High-quality UFO-type LED industrial luminaire. Ideal for warehouses, industrial buildings, and manufacturing. With lighting calculations, you can determine how many luminaires are needed for the desired light intensity in an area. The IP65 protection class means that the luminaire is protected against fine dust and water jets. The luminaire has a light temperature of 4000K, providing daylight-like illumination - the most suitable light for work environments. With proper use, the luminaire is energy-efficient, environmentally friendly, and has a very long lifespan (50,000 hours). You can find the best assortment of industrial lighting in the [LED house product range!](#)

LED industrial light PROLUMEN UFO ASTRONAUT white 230V 240W 38400lm 110° IP65 840

Product code 17127

Brand [PROLUMEN](#)
 Supply voltage 230V
 Power factor 0.95
 Output 240W
 Luminous flux 38400lumens
 Luminaire's efficiency lm79 160W
 Correlated colour temperature pure white 4000K
 Lens angle 110
 Source of light [PHILIPS LED](#)
 Cri 80
 Sdcm - macadam ellipses 6
 Protection class IP65
 Lifespan 50000h
 Llmf tm21 L80B10 @25°C 50.000h
 Height 130.0mm
 Diameter 380.0mm
 Weight 2500g
 Package weight 3700g
 In package 1pc
 Casing colour white
 Casing material aluminum
 Polishing matt
 Power supply [SOSEN](#)
 Impact resistance IK08
 Work environment indoor use
 Operation temperature -40 - +60°C
 Certificates CE, RoHS
 Warranty 5 years



High-quality UFO-type LED industrial luminaire. Ideal for warehouses, industrial buildings, and manufacturing. With lighting calculations, you can determine how many luminaires are needed for the desired light intensity in an area. The IP65 protection class means that the luminaire is protected against fine dust and water jets. The luminaire has a light temperature of 4000K, providing daylight-like illumination - the most suitable light for work environments. With proper use, the luminaire is energy-efficient, environmentally friendly, and has a very long lifespan (50,000 hours). You can find the best assortment of industrial lighting in the [LED house product range!](#)

LED industrial light PROLUMEN UFO Crossover (DALI) black 230V 200W 30000lm 90° IP65 840

Product code 17783 DALI dimmable

Brand [PROLUMEN](#)
 Supply voltage 230V
 Power factor 0.90
 Dimmable DALI
 Output 200W
 Luminous flux 30000lumens
 Luminaire's efficiency lm79 150W
 Correlated colour temperature pure white 4000K
 Lens angle 90
 Source of light [PHILIPS LED](#)
 Cri 80
 Sdcm - macadam ellipses 6
 Protection class IP65
 Lifespan 50000h
 Llmf tm21 L90B10 @25°C 50.000h
 Height 142.0mm
 Diameter 347.0mm
 Weight 3300g
 Casing colour black
 Casing material aluminum
 Polishing matt
 No. of switches 100000pcs
 Power supply [SOSEN](#)
 Impact resistance IK08
 Work environment indoor use
 Operation temperature -40 - +60°C
 Certificates CE, RoHS
 Warranty 5 years



LED industrial luminaire. The luminaire's IP65 protection class means that the luminaire is protected against both fine dust and water jets. The luminaire has a light temperature of 4000K, providing daylight-like illumination - the most suitable for work environments. With proper use, the luminaire is energy-efficient, environmentally friendly, and has a very long lifespan (50,000 hours). Delivery from EU warehouse in 7-14 days. You can find the best assortment of industrial lighting in the [LED house product range!](#)

LED industrial light PROLUMEN UFO CROSSOVER (DALI) white 230V 100W 15000lm 90° IP65 840

Product code 17734 DALI dimmable

Brand [PROLUMEN](#)
Supply voltage 230V
Power factor 0.95
Dimmable DALI
Output 100W
Luminous flux 15000lumens
Luminaire's efficiency lm79 150W
Correlated colour temperature pure white 4000K
Lens angle 90
Source of light [PHILIPS LED](#)
Cri 80
Sdcm - macadam ellipses 6
Protection class IP65
Lifespan 50000h
Llmf tm21 L90B10 @25°C 50.000h
Height 174.0mm
Diameter 290.0mm
In package 1pc
Casing colour white
Casing material aluminum
Polishing matt
Power supply [SOSEN](#)
Impact resistance IK08
Work environment indoor use
Operation temperature -40 - +60°C
Certificates CE, RoHS
Warranty 5 years



LED industrial luminaire. The luminaire's IP65 protection class means that the luminaire is protected against both fine dust and water jets. The luminaire has a light temperature of 4000K, providing daylight-like illumination - the most suitable for work environments. With proper use, the luminaire is energy-efficient, environmentally friendly, and has a very long lifespan (50,000 hours). Delivery from EU warehouse in 7-14 days. You can find the best assortment of industrial lighting in the [LED house product range!](#)

LED industrial light PROLUMEN UFO Crossover (with sensor plug) black 230V 100W 15000lm 90° IP65 840

Product code 17587

Brand [PROLUMEN](#)
 Supply voltage 230V
 Power factor 0.90
 Output 100W
 Luminous flux 15000lumens
 Luminaire's efficiency lm79 150W
 Correlated colour temperature pure white 4000K
 Lens angle 90
 Source of light [LUMILEDS](#)
 Cri 80
 Sdcm - macadam ellipses 6
 Protection class IP65
 Lifespan 50000h
 Llmf tm21 L90B10 @25°C 50.000h
 Height 174.0mm
 Diameter 290.0mm
 Weight 2700g
 Casing colour black
 Casing material aluminum
 Polishing matt
 No. of switches 100000pcs
 Power supply [SOSEN](#)
 Impact resistance IK08
 Work environment indoor use
 Operation temperature -40 - +60°C
 Certificates CE, RoHS
 Warranty 5 years



LED industrial luminaire, optionally with a motion sensor. The luminaire's IP65 protection class means that it is protected against both fine dust and water jets. The luminaire has a light temperature of 4000K, providing daylight-like illumination - the most suitable for work environments. With proper use, the luminaire is energy-efficient, environmentally friendly, and has a very long lifespan (50,000 hours). Delivery from EU warehouse in 7-14 days. You can find the best assortment of industrial lighting in the [LED house product range!](#)

LED industrial light PROLUMEN UFO Crossover (with sensor plug) black 230V 150W 22500lm 90° IP65 840

Product code 17120

Brand [PROLUMEN](#)
 Supply voltage 230V
 Power factor 0.90
 Output 150W
 Luminous flux 22500lumens
 Luminaire's efficiency lm79 150W
 Correlated colour temperature pure white 4000K
 Lens angle 90
 Source of light [PHILIPS LED](#)
 Cri 80
 Sdcm - macadam ellipses 6
 Protection class IP65
 Lifespan 50000h
 Llmf tm21 L90B10 @25°C 50.000h
 Height 174.0mm
 Diameter 290.0mm
 Weight 2700g
 In box 3pcs
 Casing colour black
 Casing material aluminum
 Polishing matt
 No. of switches 100000pcs
 Power supply [SOSEN](#)
 Impact resistance IK08
 Work environment indoor use
 Operation temperature -40 - +60°C
 Certificates CE, RoHS
 Warranty 5 years



LED industrial luminaire, optionally with a motion sensor. The luminaire's IP65 protection class means that it is protected against both fine dust and water jets. The luminaire has a light temperature of 4000K, providing daylight-like illumination - the most suitable for work environments. With proper use, the luminaire is energy-efficient, environmentally friendly, and has a very long lifespan (50,000 hours). Delivery from EU warehouse in 7-14 days. You can find the best assortment of industrial lighting in the [LED house product range!](#)

LED industrial light PROLUMEN UFO Crossover (with sensor plug) black 230V 200W 30000lm 90° IP65 840

Product code 17110

Brand [PROLUMEN](#)
 Supply voltage 230V
 Power factor 0.90
 Output 200W
 Luminous flux 30000lumens
 Luminaire's efficiency lm79 150W
 Correlated colour temperature pure white 4000K
 Lens angle 90
 Source of light [LUMILEDS](#)
 Cri 80
 Sdcm - macadam ellipses 6
 Protection class IP65
 Lifespan 50000h
 Llmf tm21 L90B10 @25°C 50.000h
 Height 174.0mm
 Diameter 290.0mm
 Weight 2700g
 In package 1pc
 In box 4pcs
 Casing colour black
 Casing material aluminum
 Polishing matt
 No. of switches 100000pcs
 Power supply [SOSEN](#)
 Impact resistance IK08
 Work environment indoor use
 Operation temperature -40 - +60°C
 Certificates CE, RoHS
 Warranty 5 years



LED industrial luminaire, optionally with a motion sensor. The luminaire's IP65 protection class means that it is protected against both fine dust and water jets. The luminaire has a light temperature of 4000K, providing daylight-like illumination - the most suitable for work environments. With proper use, the luminaire is energy-efficient, environmentally friendly, and has a very long lifespan (50,000 hours). Delivery from EU warehouse in 7-14 days. You can find the best assortment of industrial lighting in the [LED house product range!](#)

LED industrial light PROLUMEN UFO Crossover 1-10V black 230V 100W 15000lm 120° IP65 840

Product code 17109 0-10V dimmable

Brand [PROLUMEN](#)

Supply voltage 230V

Power factor 0.90

Dimmable 0-10V

Output 100W

Luminous flux 15000lumens

Luminaire's efficiency lm79 150W

Correlated colour temperature pure white 4000K

Lens angle 120

Source of light [PHILIPS LED](#)

Cri 80

Sdcm - macadam ellipses 6

Protection class IP65

Lifespan 50000h

Llmf tm21 L90B10 @25°C 50.000h

Height 174.0mm

Diameter 290.0mm

Weight 2700g

Casing colour black

Casing material aluminum

Polishing matt

No. of switches 100000pcs

Power supply [SOSEN](#)

Impact resistance IK08

Work environment indoor use

Operation temperature -40 - +60°C

Certificates CE, RoHS

Warranty 5 years



LED industrial luminaire. The luminaire's IP65 protection class means that the luminaire is protected against both fine dust and water jets. The luminaire has a light temperature of 4000K, providing daylight-like illumination - the most suitable for work environments. With proper use, the luminaire is energy-efficient, environmentally friendly, and has a very long lifespan (50,000 hours). Delivery from EU warehouse in 7-14 days. You can find the best assortment of industrial lighting in the [LED house product range!](#)

LED industrial light PROLUMEN UFO Crossover 1-10V black 230V 150W 22500lm 120° IP65 840

Product code 17596 0-10V dimmable

Brand [PROLUMEN](#)

Supply voltage 230V

Power factor 0.90

Dimmable 0-10V

Output 150W

Luminous flux 22500lumens

Luminaire's efficiency lm79 150W

Correlated colour temperature pure white 4000K

Lens angle 120

Source of light [PHILIPS LED](#)

Cri 80

Sdcm - macadam ellipses 6

Protection class IP65

Lifespan 50000h

Llmf tm21 L90B10 @25°C 50.000h

Height 174.0mm

Diameter 290.0mm

Weight 2700g

Casing colour black

Casing material aluminum

Polishing matt

No. of switches 100000pcs

Power supply [SOSEN](#)

Impact resistance IK08

Work environment indoor use

Operation temperature -40 - +60°C

Certificates CE, RoHS

Warranty 5 years



LED industrial luminaire. The luminaire's IP65 protection class means that the luminaire is protected against both fine dust and water jets. The luminaire has a light temperature of 4000K, providing daylight-like illumination - the most suitable for work environments. With proper use, the luminaire is energy-efficient, environmentally friendly, and has a very long lifespan (50,000 hours). Delivery from EU warehouse in 7-14 days. You can find the best assortment of industrial lighting in the [LED house product range!](#)

LED industrial light PROLUMEN UFO Crossover 1-10V black 230V 200W 30000lm 120° IP65 840

Product code 17236 0-10V dimmable

Brand [PROLUMEN](#)
 Supply voltage 230V
 Power factor 0.90
 Dimmable 0-10V
 Output 200W
 Luminous flux 30000lumens
 Luminaire's efficiency lm79 150W
 Correlated colour temperature pure white 4000K
 Lens angle 120
 Source of light [PHILIPS LED](#)
 Cri 80
 Sdcm - macadam ellipses 6
 Protection class IP65
 Lifespan 50000h
 Llmf tm21 L90B10 @25°C 50.000h
 Height 142.0mm
 Diameter 347.0mm
 Weight 3300g
 In box 4pcs
 Casing colour black
 Casing material aluminum
 Polishing matt
 No. of switches 100000pcs
 Power supply [SOSEN](#)
 Impact resistance IK08
 Work environment indoor use
 Operation temperature -40 - +60°C
 Certificates CE, RoHS
 Warranty 5 years



LED industrial luminaire. The luminaire's IP65 protection class means that the luminaire is protected against both fine dust and water jets. The luminaire has a light temperature of 4000K, providing daylight-like illumination - the most suitable for work environments. With proper use, the luminaire is energy-efficient, environmentally friendly, and has a very long lifespan (50,000 hours). Delivery from EU warehouse in 7-14 days. You can find the best assortment of industrial lighting in the [LED house product range!](#)

LED industrial light PROLUMEN UFO IKT black 230V 100W 15000lm 110° IP65 840

Product code 15769

Brand [PROLUMEN](#)
Supply voltage 230V
Power factor 0.90
Output 100W
Luminous flux 15000lumens
Luminaire's efficiency lm79 150W
Correlated colour temperature pure white 4000K
Lens angle 110
Source of light OSRAM LED
Cri 80
Sdcm - macadam ellipses 5
Protection class IP65
Lifespan 50000h
Height 145.0mm
Diameter 290.0mm
Casing colour black
Casing material aluminum
Power supply [SOSEN](#)
Impact resistance IK08
Work environment indoor use
Operation temperature -40 - +50°C
Certificates CE, D, F
Warranty 5 years



PROLUMEN UFO IKT is an efficient and stylish luminaire suitable for various environments. It features a UFO-shaped design that adds decorative and modern elements to interiors and outdoor spaces. The product boasts several notable features: Efficiency of 150lm/W; Light angle that allows for uniform illumination of large areas. IP65 protection class ensures strong waterproofing for the luminaire, allowing it to be used in outdoor settings, even under direct water pressure. It is a versatile luminaire suitable for both indoor and outdoor use. PROLUMEN provides bright and quality lighting that meets various illumination needs! Illuminate your world with the help of LED House professionals - [check out our portfolio here too!](#)

LED explosion protected light PROLUMEN UFO MEGA EX black round 230V 150W 22500lm 90° IP66 840

Product code 16311

Brand [PROLUMEN](#)

Supply voltage 230V

Output 150W

Luminous flux 22500lumens

Luminaire's efficiency lm79 150W

Correlated colour temperature pure white 4000K

Lens angle 90

Source of light [CREE LED](#)

Cri 80

Lor 80

Protection class IP66

Lifespan 50000h

Llmf tm21 L90B10 @25°C 50.000h

Height 312.0mm

Diameter 354.0mm

Casing colour black

Casing material aluminum

Polishing matt

Shape round

No. of switches 100000pcs

Power supply [MEAN WELL](#)

Impact resistance IK10

Work environment indoor / outdoor use

Operation temperature -40 - +60°C

Certificates CE, RoHS

Warranty 5 years

UFO type LED explosion-proof luminaire for warehouses, industrial and manufacturing facilities. In 5 years time in case of malfunction, the luminaire will be replaced with a new one. With an initial calculation conducted by LED house, it becomes clear how many luminaires are needed to achieve the desired light density in the building. These luminaires use Mean Well power supplies, providing long-term reliability. Symbol: II 2G Ex de mb IIC T4 Gb / II 2D Ex tb IIIC T(95°C) Db
Application: Zone 1, Zone 2, Zone 21, Zone 22. Find the highest quality lighting solutions in the [LED house product range!](#)



LED industrial light PROLUMEN UFO NOTE 2 black round 230V 200W 28600lm 90° IP65 840

Product code 15620

Brand [PROLUMEN](#)
 Supply voltage 230V
 Power factor 0.90
 Output 200W
 Luminous flux 28600lumens
 Luminaire's efficiency lm79 143W
 Correlated colour temperature pure white 4000K
 Lens angle 90
 Source of light [CREE LED](#)
 Cri 80
 Lor 80
 Sdcm - macadam ellipses 6
 Protection class IP65
 Lifespan 50000h
 Llmf tm21 L90B10 @25°C 50.000h
 Height 183.0mm
 Width 345.0mm
 Diameter 345.0mm
 Casing colour black
 Casing material aluminum
 Polishing matt
 Shape round
 No. of switches 100000pcs
 Power supply [MEAN WELL](#)
 Impact resistance IK08
 Work environment indoor use
 Operation temperature -40 - +60°C
 Certificates CE, RoHS
 Warranty 5 years



UFO-type LED industrial light for warehouse, industrial building, production. The LED light has a 5-year factory warranty. In case of a failure, the faulty light will be replaced with a new one within this period. Lighting calculations can determine how many lights are needed for the desired illumination area. These lights are equipped with Mean Well power supplies, providing peace of mind for a long time.

Remote RC-200

Product code 17122

Remote control for MW sensor configuration. Light up your world with the help of LED House professionals - [check out our project portfolio here!](#)



Motion sensor SEN-MW-NOTE 0-10V

Product code 14459 0-10V dimmable

Dimmable 0-10V
Certificates CE
Warranty 2 years

Motion sensor + light sensor.
Detection range up to 16 meters.
Light up your world with the help of LED House professionals - [check out our project portfolio here!](#)



LED industrial light Tubular 1200 230V 40W 6000lm 180° IP69 840

Product code 17605

Supply voltage 230V
 Output 40W
 Luminous flux 6000lumens
 Luminaire's efficiency lm79 150W
 Correlated colour temperature pure white 4000K
 Lens angle 180
 Source of light [BRIDGELUX LED](#)
 Cri 80
 Protection class IP69
 Lifespan 100000h
 Llmf tm21 L80B50 @25°C 50.000h
 Length 1200.0mm
 Diameter 80.0mm
 Weight 1300g
 In box 6pcs
 No. of switches 30000pcs
 Power supply [TRIDONIC](#)
 Impact resistance IK10
 Work environment indoor / outdoor use
 Operation temperature -10 ~ 40°C

Durable linear LED industrial light [industrial light](#) that can also be washed with pressure! The IP69 protection rating means that the luminaire is protected against dust and water, making it suitable for many demanding environments. The luminaire is specially reinforced and can withstand a 5kg weight dropped from a height of 40cm.



LED industrial light Tubular 1500 230V 60W 9000lm 180° IP69 840

Product code 17604

Supply voltage 230V
 Output 60W
 Luminous flux 9000lumens
 Luminaire's efficiency lm79 150W
 Correlated colour temperature pure white 4000K
 Lens angle 180
 Source of light [BRIDGELUX LED](#)
 Cri 80
 Protection class IP69
 Lifespan 100000h
 Llmf tm21 L80B50 @25°C 50.000h
 Length 1500.0mm
 Diameter 80.0mm
 Weight 1300g
 In box 6pcs
 No. of switches 30000pcs
 Power supply [TRIDONIC](#)
 Impact resistance IK10
 Work environment indoor / outdoor use
 Operation temperature -10 ~ 40°C

Durable linear LED industrial light [industrial light](#) that can also be washed with pressure! The IP69 protection rating means that the luminaire is protected against dust and water, making it suitable for many demanding environments. The luminaire is specially reinforced and can withstand a 5kg weight dropped from a height of 40cm.

