

Aluminium profile Alu Swiss 20

Product code 14184

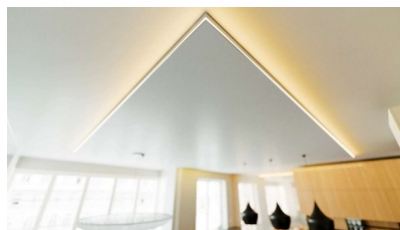
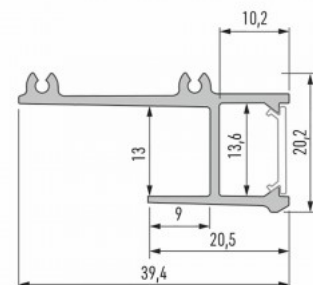
Maximum output 22W/1m
 Height 24.7mm
 Width 20.0mm
 Length 2000.0mm
 Casing material aluminium
 Polishing matt

Aluminium profile LUMINES APA12 2m silver

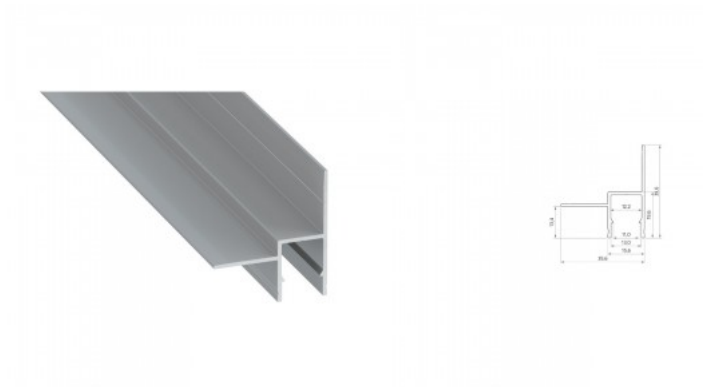
Product code 17493

Brand [LUMINES](#)
 Height 20.2mm
 Width 43.0mm
 Length 2000.0mm
 Casing colour silver
 Casing material aluminium

A surface-mounted aluminum profile is a practical method for installing an LED strip effectively. With an aluminum profile, there is no risk of the LED strip shifting out of place, and the profile cover maintains uniform and cozy light distribution. The profile is durable yet lightweight, ensuring a long lifespan and stability. Installing a surface-mounted aluminum profile is very easy. An aluminum profile is ideal for use in many different rooms. In the kitchen, a high-power LED strip with an aluminum profile works well above the work surface. In the living room, this combination can create cozy accent lighting. High IP-rated products are perfect for bathrooms, and in retail, LED strips with aluminum profiles are ideal for highlighting products! Trust your lighting project to the experienced team of LED House - [let's bring your vision to life!](#)



Aluminium profile LUMINES Bruno 2m silver



Product code 22010

Brand [LUMINES](#)
Length 2.0m
Casing colour silver
Casing material aluminium
Polishing matt

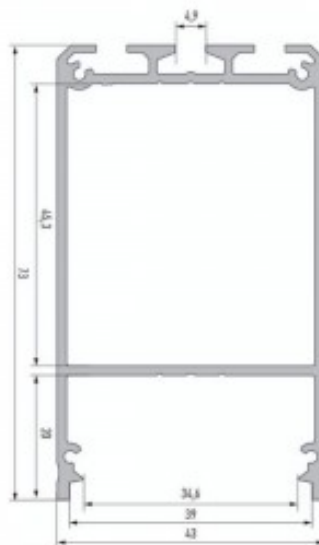
Aluminium profile LUMINES CLARO 2m black

Product code 15982

Brand [LUMINES](#)
 Height 73.0mm
 Width 43.0mm
 Length 2000.0mm
 Casing colour black
 Casing material aluminium



A surface-mounted aluminum profile is a practical method for installing an LED strip effectively. With an aluminum profile, there is no risk of the LED strip shifting out of place, and the profile cover maintains uniform and cozy light distribution. The profile is durable yet lightweight, ensuring a long lifespan and stability. Installing a surface-mounted aluminum profile is very easy. An aluminum profile is ideal for use in many different rooms. In the kitchen, a high-power LED strip with an aluminum profile works well above the work surface. In the living room, this combination can create cozy accent lighting. High IP-rated products are perfect for bathrooms, and in retail, LED strips with aluminum profiles are ideal for highlighting products! Trust your lighting project to the experienced team of LED House - [let's bring your vision to life!](#)



Aluminium profile LUMINES CLARO 2m silver

Product code 16196

Brand [LUMINES](#)
 Height 73.0mm
 Width 43.0mm
 Length 2000.0mm
 Casing colour silver
 Casing material aluminium

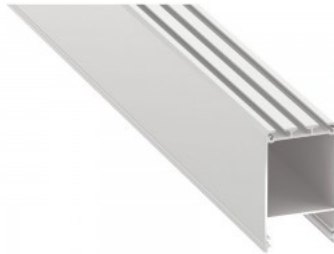
A surface-mounted aluminum profile is a practical method for installing an LED strip effectively. With an aluminum profile, there is no risk of the LED strip shifting out of place, and the profile cover maintains uniform and cozy light distribution. The profile is durable yet lightweight, ensuring a long lifespan and stability. Installing a surface-mounted aluminum profile is very easy. An aluminum profile is ideal for use in many different rooms. In the kitchen, a high-power LED strip with an aluminum profile works well above the work surface. In the living room, this combination can create cozy accent lighting. High IP-rated products are perfect for bathrooms, and in retail, LED strips with aluminum profiles are ideal for highlighting products! Trust your lighting project to the experienced team of LED House - [let's bring your vision to life!](#)



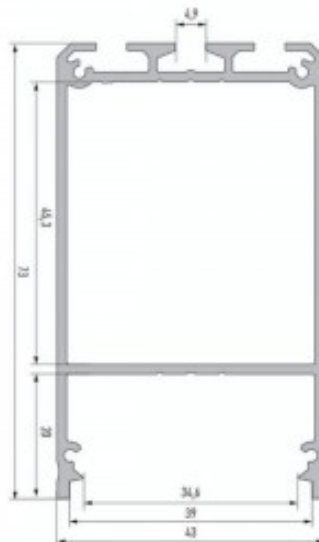
Aluminium profile LUMINES CLARO 2m white

Product code 16347

Brand [LUMINES](#)
 Height 73.0mm
 Width 43.0mm
 Length 2000.0mm
 Casing colour white
 Casing material aluminium



A surface-mounted aluminum profile is a practical method for installing an LED strip effectively. With an aluminum profile, there is no risk of the LED strip shifting out of place, and the profile cover maintains uniform and cozy light distribution. The profile is durable yet lightweight, ensuring a long lifespan and stability. Installing a surface-mounted aluminum profile is very easy. An aluminum profile is ideal for use in many different rooms. In the kitchen, a high-power LED strip with an aluminum profile works well above the work surface. In the living room, this combination can create cozy accent lighting. High IP-rated products are perfect for bathrooms, and in retail, LED strips with aluminum profiles are ideal for highlighting products! Trust your lighting project to the experienced team of LED House - [let's bring your vision to life!](#)



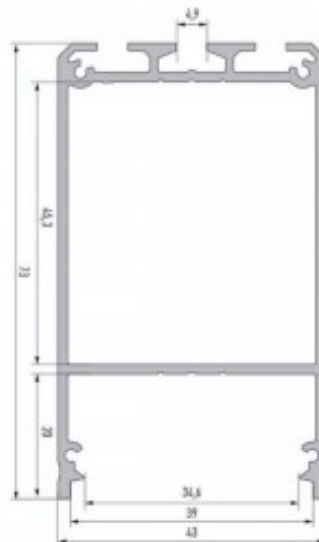
Aluminium profile LUMINES CLARO 3m black

Product code 16966

Brand [LUMINES](#)
 Height 73.0mm
 Width 43.0mm
 Length 3000.0mm
 Casing colour black
 Casing material aluminium



A surface-mounted aluminum profile is a practical method for installing an LED strip effectively. With an aluminum profile, there is no risk of the LED strip shifting out of place, and the profile cover maintains uniform and cozy light distribution. The profile is durable yet lightweight, ensuring a long lifespan and stability. Installing a surface-mounted aluminum profile is very easy. An aluminum profile is ideal for use in many different rooms. In the kitchen, a high-power LED strip with an aluminum profile works well above the work surface. In the living room, this combination can create cozy accent lighting. High IP-rated products are perfect for bathrooms, and in retail, LED strips with aluminum profiles are ideal for highlighting products! Trust your lighting project to the experienced team of LED House - [let's bring your vision to life!](#)

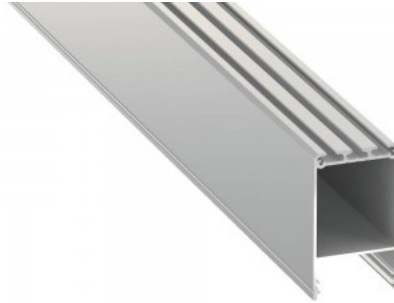


Aluminium profile LUMINES CLARO 3m silver

Product code 15393

Brand [LUMINES](#)
 Height 73.0mm
 Width 43.0mm
 Length 3000.0mm
 Casing colour silver
 Casing material aluminium

A surface-mounted aluminum profile is a practical method for installing an LED strip effectively. With an aluminum profile, there is no risk of the LED strip shifting out of place, and the profile cover maintains uniform and cozy light distribution. The profile is durable yet lightweight, ensuring a long lifespan and stability. Installing a surface-mounted aluminum profile is very easy. An aluminum profile is ideal for use in many different rooms. In the kitchen, a high-power LED strip with an aluminum profile works well above the work surface. In the living room, this combination can create cozy accent lighting. High IP-rated products are perfect for bathrooms, and in retail, LED strips with aluminum profiles are ideal for highlighting products! Trust your lighting project to the experienced team of LED House - [let's bring your vision to life!](#)

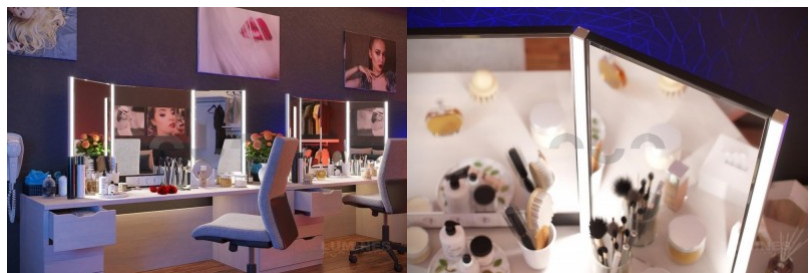
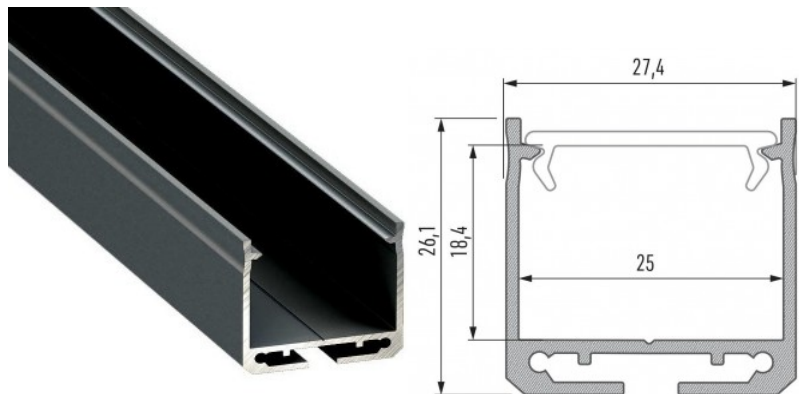


Aluminium profile LUMINES DILEDA 2m black

Product code 15418

Brand [LUMINES](#)
 Height 26.1mm
 Width 27.4mm
 Length 2020.0mm
 In box 6pcs
 Casing colour black
 Casing material aluminium

A surface-mounted aluminum profile is a practical method for installing an LED strip effectively. With an aluminum profile, there is no risk of the LED strip shifting out of place, and the profile cover maintains uniform and cozy light distribution. The profile is durable yet lightweight, ensuring a long lifespan and stability. Installing a surface-mounted aluminum profile is very easy. An aluminum profile is ideal for use in many different rooms. In the kitchen, a high-power LED strip with an aluminum profile works well above the work surface. In the living room, this combination can create cozy accent lighting. High IP-rated products are perfect for bathrooms, and in retail, LED strips with aluminum profiles are ideal for highlighting products! Trust your lighting project to the experienced team of LED House - [let's bring your vision to life!](#)

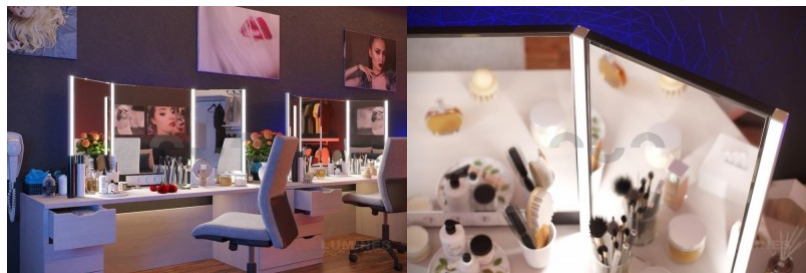
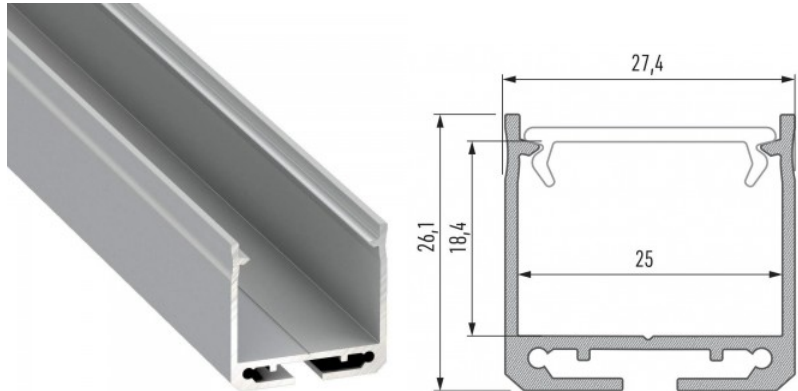


Aluminium profile LUMINES DILEDA 2m silver

Product code 14722

Brand [LUMINES](#)
 Height 26.1mm
 Width 27.4mm
 Length 2020.0mm
 Casing colour silver
 Casing material aluminium

A surface-mounted aluminum profile is a practical method for installing an LED strip effectively. With an aluminum profile, there is no risk of the LED strip shifting out of place, and the profile cover maintains uniform and cozy light distribution. The profile is durable yet lightweight, ensuring a long lifespan and stability. Installing a surface-mounted aluminum profile is very easy. An aluminum profile is ideal for use in many different rooms. In the kitchen, a high-power LED strip with an aluminum profile works well above the work surface. In the living room, this combination can create cozy accent lighting. High IP-rated products are perfect for bathrooms, and in retail, LED strips with aluminum profiles are ideal for highlighting products! Trust your lighting project to the experienced team of LED House - [let's bring your vision to life!](#)

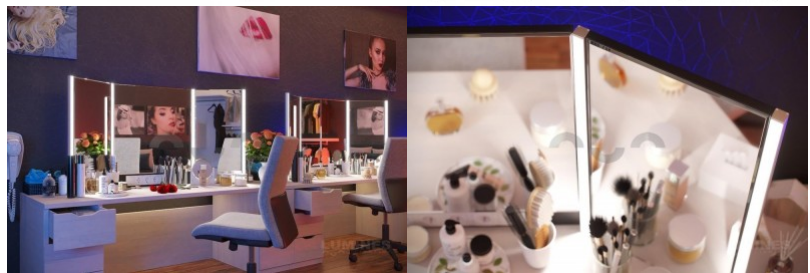
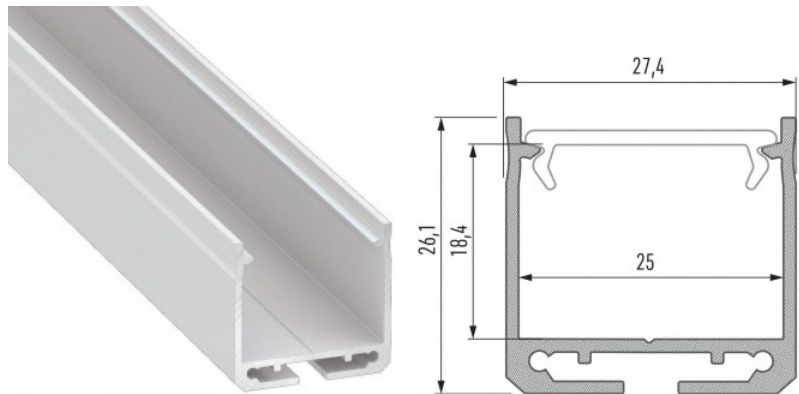


Aluminium profile LUMINES DILEDA 2m white

Product code 14673

Brand [LUMINES](#)
 Height 26.1mm
 Width 27.4mm
 In package 6pcs
 Casing colour white
 Casing material aluminium

A surface-mounted aluminum profile is a practical method for installing an LED strip effectively. With an aluminum profile, there is no risk of the LED strip shifting out of place, and the profile cover maintains uniform and cozy light distribution. The profile is durable yet lightweight, ensuring a long lifespan and stability. Installing a surface-mounted aluminum profile is very easy. An aluminum profile is ideal for use in many different rooms. In the kitchen, a high-power LED strip with an aluminum profile works well above the work surface. In the living room, this combination can create cozy accent lighting. High IP-rated products are perfect for bathrooms, and in retail, LED strips with aluminum profiles are ideal for highlighting products! Trust your lighting project to the experienced team of LED House - [let's bring your vision to life!](#)

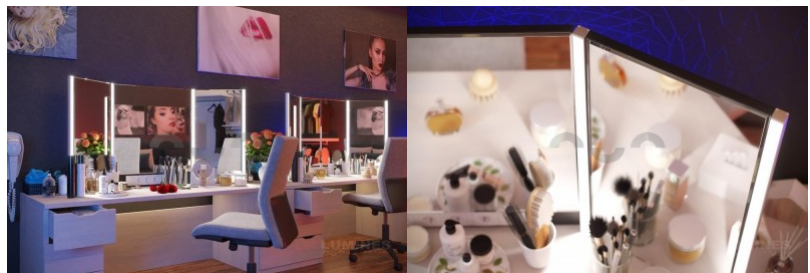
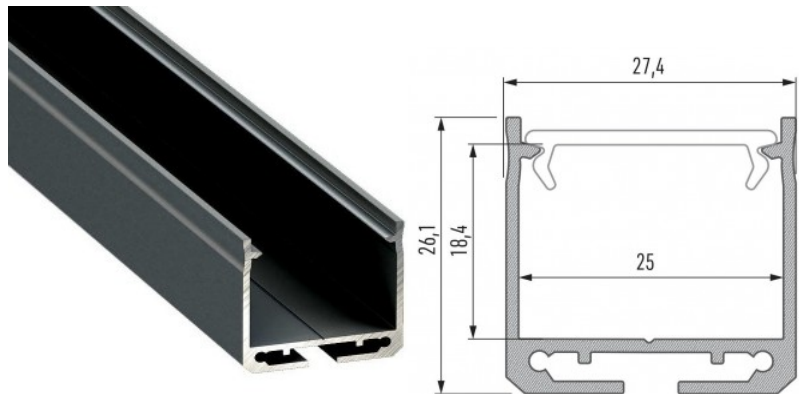


Aluminium profile LUMINES DILEDA 3m black

Product code 16211

Brand [LUMINES](#)
 Height 26.1mm
 Width 27.4mm
 Length 3000.0mm
 Casing colour black
 Casing material aluminium

A surface-mounted aluminum profile is a practical method for installing an LED strip effectively. With an aluminum profile, there is no risk of the LED strip shifting out of place, and the profile cover maintains uniform and cozy light distribution. The profile is durable yet lightweight, ensuring a long lifespan and stability. Installing a surface-mounted aluminum profile is very easy. An aluminum profile is ideal for use in many different rooms. In the kitchen, a high-power LED strip with an aluminum profile works well above the work surface. In the living room, this combination can create cozy accent lighting. High IP-rated products are perfect for bathrooms, and in retail, LED strips with aluminum profiles are ideal for highlighting products! Trust your lighting project to the experienced team of LED House - [let's bring your vision to life!](#)

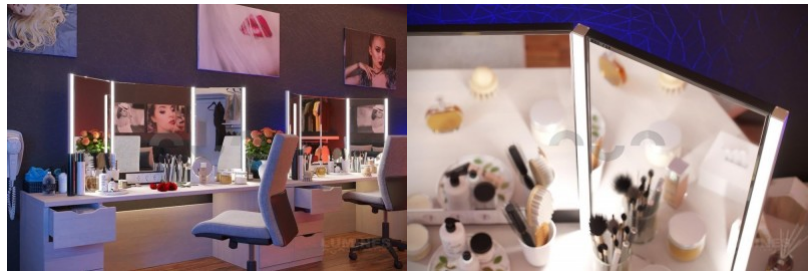
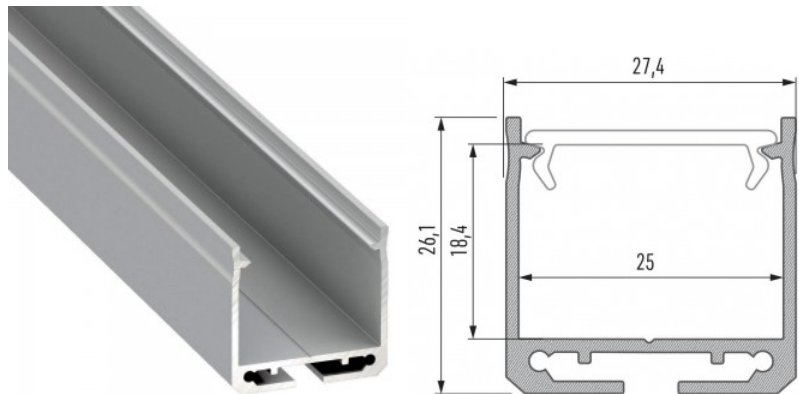


Aluminium profile LUMINES DILEDA 3m silver

Product code 16457

Brand [LUMINES](#)
 Height 26.1mm
 Width 27.4mm
 Length 3000.0mm
 Casing colour silver
 Casing material aluminium

A surface-mounted aluminum profile is a practical method for installing an LED strip effectively. With an aluminum profile, there is no risk of the LED strip shifting out of place, and the profile cover maintains uniform and cozy light distribution. The profile is durable yet lightweight, ensuring a long lifespan and stability. Installing a surface-mounted aluminum profile is very easy. An aluminum profile is ideal for use in many different rooms. In the kitchen, a high-power LED strip with an aluminum profile works well above the work surface. In the living room, this combination can create cozy accent lighting. High IP-rated products are perfect for bathrooms, and in retail, LED strips with aluminum profiles are ideal for highlighting products! Trust your lighting project to the experienced team of LED House - [let's bring your vision to life!](#)

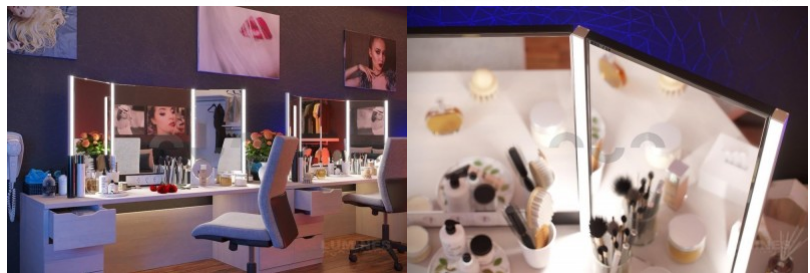
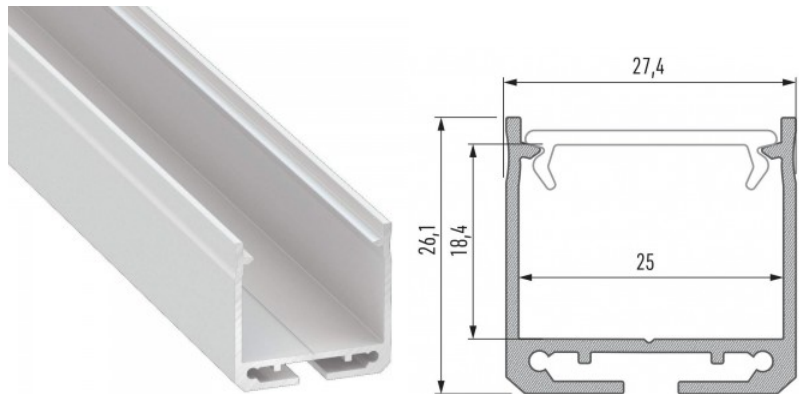


Aluminium profile LUMINES DILEDA 3m white

Product code 14814

Brand [LUMINES](#)
 Height 26.1mm
 Width 27.4mm
 Length 3000.0mm
 Casing colour white
 Casing material aluminium

A surface-mounted aluminum profile is a practical method for installing an LED strip effectively. With an aluminum profile, there is no risk of the LED strip shifting out of place, and the profile cover maintains uniform and cozy light distribution. The profile is durable yet lightweight, ensuring a long lifespan and stability. Installing a surface-mounted aluminum profile is very easy. An aluminum profile is ideal for use in many different rooms. In the kitchen, a high-power LED strip with an aluminum profile works well above the work surface. In the living room, this combination can create cozy accent lighting. High IP-rated products are perfect for bathrooms, and in retail, LED strips with aluminum profiles are ideal for highlighting products! Trust your lighting project to the experienced team of LED House - [let's bring your vision to life!](#)

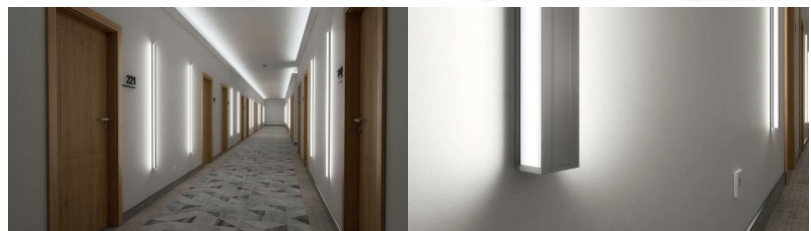
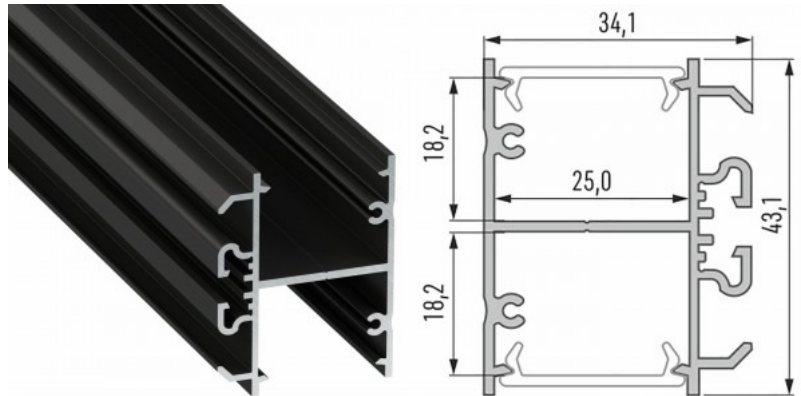


Aluminium profile LUMINES DOPIO 2m black

Product code 17454

Brand [LUMINES](#)
 Height 34.1mm
 Width 43.1mm
 Length 2020.0mm
 Casing colour black
 Casing material aluminium

A surface-mounted aluminum profile is a practical method for installing an LED strip effectively. With an aluminum profile, there is no risk of the LED strip shifting out of place, and the profile cover maintains uniform and cozy light distribution. The profile is durable yet lightweight, ensuring a long lifespan and stability. Installing a surface-mounted aluminum profile is very easy. An aluminum profile is ideal for use in many different rooms. In the kitchen, a high-power LED strip with an aluminum profile works well above the work surface. In the living room, this combination can create cozy accent lighting. High IP-rated products are perfect for bathrooms, and in retail, LED strips with aluminum profiles are ideal for highlighting products! Trust your lighting project to the experienced team of LED House - [let's bring your vision to life!](#)

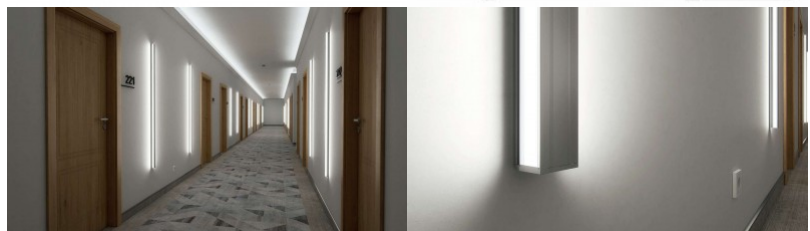
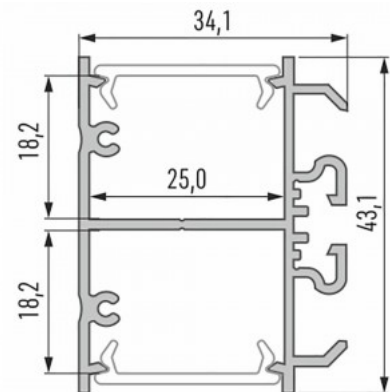


Aluminium profile LUMINES DOPIO 3m silver

Product code 22191

Brand [LUMINES](#)
 Height 34.1mm
 Width 43.1mm
 Length 3000.0mm
 Casing colour silver
 Casing material aluminium

A surface-mounted aluminum profile is a practical method for installing an LED strip effectively. With an aluminum profile, there is no risk of the LED strip shifting out of place, and the profile cover maintains uniform and cozy light distribution. The profile is durable yet lightweight, ensuring a long lifespan and stability. Installing a surface-mounted aluminum profile is very easy. An aluminum profile is ideal for use in many different rooms. In the kitchen, a high-power LED strip with an aluminum profile works well above the work surface. In the living room, this combination can create cozy accent lighting. High IP-rated products are perfect for bathrooms, and in retail, LED strips with aluminum profiles are ideal for highlighting products! Trust your lighting project to the experienced team of LED House - [let's bring your vision to life!](#)

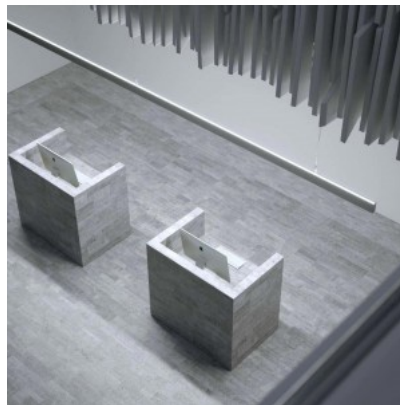
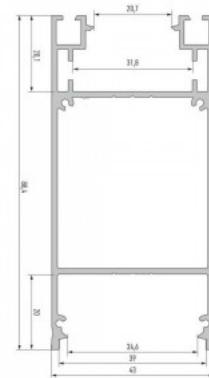


Aluminium profile LUMINES DULIO 2m black

Product code 17331

Brand [LUMINES](#)
 Height 88.4mm
 Width 43.0mm
 Length 2020.0mm
 Casing colour black
 Casing material aluminium

Hangable black aluminum profile. Aluminum profile is a practical method for installing an LED strip effectively. With an aluminum profile, there is no risk of the LED strip shifting out of place, and the profile cover maintains uniform and cozy light distribution. The profile is durable yet lightweight, ensuring a long lifespan and stability. Installing a surface-mounted aluminum profile is very easy. An aluminum profile is ideal for use in many different rooms. In the kitchen, a high-power LED strip with an aluminum profile works well above the work surface. In the living room, this combination can create cozy accent lighting. High IP-rated products are perfect for bathrooms, and in retail, LED strips with aluminum profiles are ideal for highlighting products! Trust your lighting project to the experienced team of LED House - [let's bring your vision to life!](#)

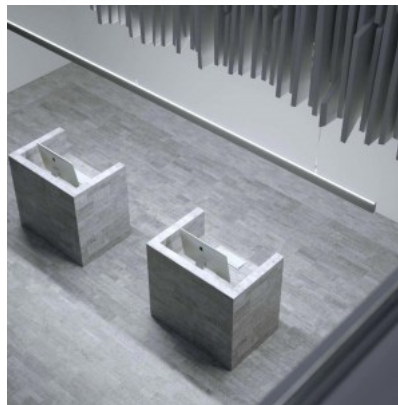
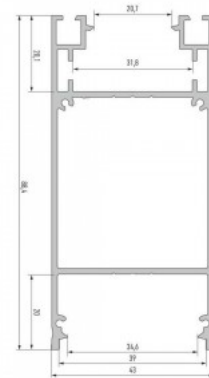


Aluminium profile LUMINES DULIO 2m white

Product code 17332

Brand [LUMINES](#)
 Height 88.4mm
 Width 43.0mm
 Length 2020.0mm
 Casing colour white
 Casing material aluminium

Hangable white aluminum profile. Aluminum profile is a practical method for installing an LED strip effectively. With an aluminum profile, there is no risk of the LED strip shifting out of place, and the profile cover maintains uniform and cozy light distribution. The profile is durable yet lightweight, ensuring a long lifespan and stability. Installing a surface-mounted aluminum profile is very easy. An aluminum profile is ideal for use in many different rooms. In the kitchen, a high-power LED strip with an aluminum profile works well above the work surface. In the living room, this combination can create cozy accent lighting. High IP-rated products are perfect for bathrooms, and in retail, LED strips with aluminum profiles are ideal for highlighting products! Trust your lighting project to the experienced team of LED House - [let's bring your vision to life!](#)

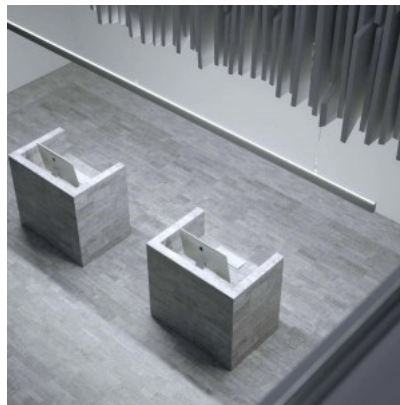
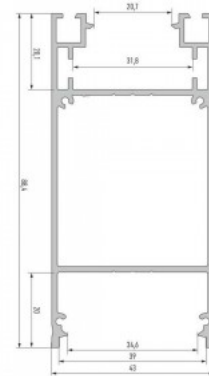


Aluminium profile LUMINES DULIO 3m black

Product code 17723

Brand [LUMINES](#)
 Height 88.4mm
 Width 43.0mm
 Length 3000.0mm
 Casing colour black
 Casing material aluminium

Hangable black aluminum profile. Aluminum profile is a practical method for installing an LED strip effectively. With an aluminum profile, there is no risk of the LED strip shifting out of place, and the profile cover maintains uniform and cozy light distribution. The profile is durable yet lightweight, ensuring a long lifespan and stability. Installing a surface-mounted aluminum profile is very easy. An aluminum profile is ideal for use in many different rooms. In the kitchen, a high-power LED strip with an aluminum profile works well above the work surface. In the living room, this combination can create cozy accent lighting. High IP-rated products are perfect for bathrooms, and in retail, LED strips with aluminum profiles are ideal for highlighting products! Trust your lighting project to the experienced team of LED House - [let's bring your vision to life!](#)

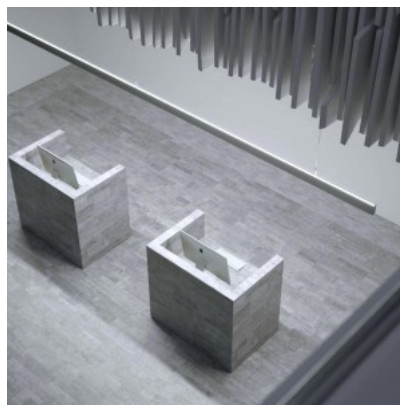
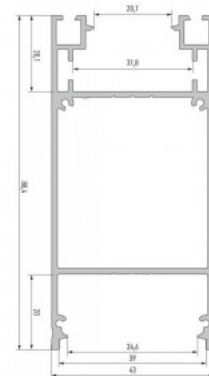


Aluminium profile LUMINES DULIO 3m white

Product code 17722

Brand [LUMINES](#)
 Height 88.4mm
 Width 43.0mm
 Length 3000.0mm
 Casing colour white
 Casing material aluminium

Hangable white aluminum profile. Aluminum profile is a practical method for installing an LED strip effectively. With an aluminum profile, there is no risk of the LED strip shifting out of place, and the profile cover maintains uniform and cozy light distribution. The profile is durable yet lightweight, ensuring a long lifespan and stability. Installing a surface-mounted aluminum profile is very easy. An aluminum profile is ideal for use in many different rooms. In the kitchen, a high-power LED strip with an aluminum profile works well above the work surface. In the living room, this combination can create cozy accent lighting. High IP-rated products are perfect for bathrooms, and in retail, LED strips with aluminum profiles are ideal for highlighting products! Trust your lighting project to the experienced team of LED House - [let's bring your vision to life!](#)

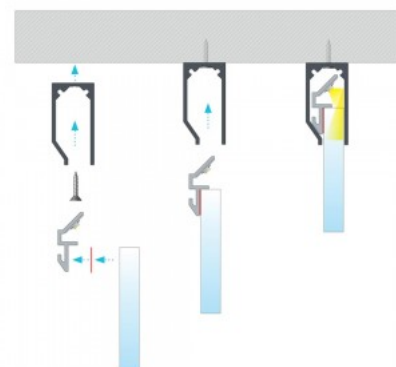


Aluminium profile LUMINES I6 2m Fari silver

Product code 17302

Brand [LUMINES](#)
 Length 2000.0mm
 Casing colour silver

Fari profile Lumines I6 aluminium profile [for I6 aluminium profile](#). The glass/plexiglass is attached to the Fari profile with an adhesive strip, and then it can be attached to the [I6 aluminium profile](#).



Aluminium profile LUMINES I6 2m silver

Product code 17299

Brand [LUMINES](#)
 Height 32.5mm
 Width 43.0mm
 Length 2000.0mm
 Casing colour silver

Aluminum profile for installing illuminated plexiglass or glass on the ceiling or wall. Usage options: Illuminated shelves for stores. Informational boards on the ceiling. Installation requires: [Left end cap](#) [Right end cap](#) [Fari profile Mounting tape](#) Trust your lighting project to the experienced team of LED House - [let's bring your vision to life!](#)

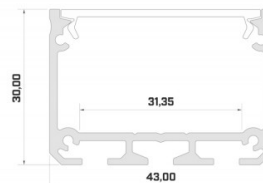


Aluminium profile LUMINES ILEDO 2m black

Product code 15439

Brand [LUMINES](#)
 Height 30.0mm
 Width 43.0mm
 Length 2020.0mm
 In box 6pcs
 Casing colour black
 Casing material aluminium

A surface-mounted aluminum profile is a practical method for installing an LED strip effectively. With an aluminum profile, there is no risk of the LED strip shifting out of place, and the profile cover maintains uniform and cozy light distribution. The profile is durable yet lightweight, ensuring a long lifespan and stability. Installing a surface-mounted aluminum profile is very easy. An aluminum profile is ideal for use in many different rooms. In the kitchen, a high-power LED strip with an aluminum profile works well above the work surface. In the living room, this combination can create cozy accent lighting. High IP-rated products are perfect for bathrooms, and in retail, LED strips with aluminum profiles are ideal for highlighting products! Trust your lighting project to the experienced team of LED House - [let's bring your vision to life!](#)

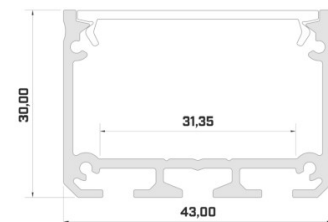


Aluminium profile LUMINES ILEDO 2m silver

Product code 14540

Brand [LUMINES](#)
 Height 30.0mm
 Width 43.0mm
 Length 2020.0mm
 Casing colour silver
 Casing material aluminium

A surface-mounted aluminum profile is a practical method for installing an LED strip effectively. With an aluminum profile, there is no risk of the LED strip shifting out of place, and the profile cover maintains uniform and cozy light distribution. The profile is durable yet lightweight, ensuring a long lifespan and stability. Installing a surface-mounted aluminum profile is very easy. An aluminum profile is ideal for use in many different rooms. In the kitchen, a high-power LED strip with an aluminum profile works well above the work surface. In the living room, this combination can create cozy accent lighting. High IP-rated products are perfect for bathrooms, and in retail, LED strips with aluminum profiles are ideal for highlighting products! Trust your lighting project to the experienced team of LED House - [let's bring your vision to life!](#)



Aluminium profile LUMINES ILEDO 2m white

Product code 14721

Brand [LUMINES](#)

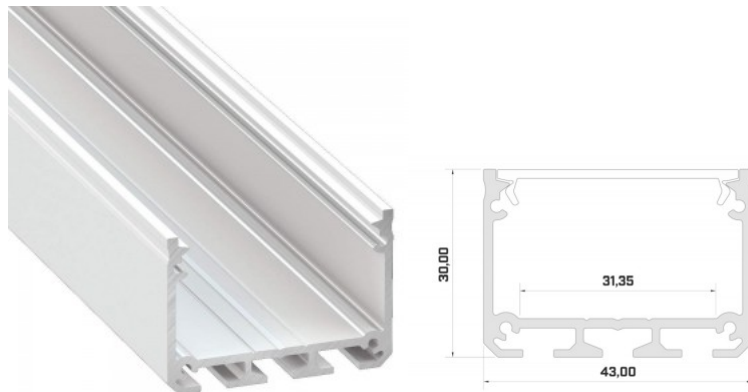
Height 30.0mm

Width 43.0mm

Casing colour white

Casing material aluminium

A surface-mounted aluminum profile is a practical method for installing an LED strip effectively. With an aluminum profile, there is no risk of the LED strip shifting out of place, and the profile cover maintains uniform and cozy light distribution. The profile is durable yet lightweight, ensuring a long lifespan and stability. Installing a surface-mounted aluminum profile is very easy. An aluminum profile is ideal for use in many different rooms. In the kitchen, a high-power LED strip with an aluminum profile works well above the work surface. In the living room, this combination can create cozy accent lighting. High IP-rated products are perfect for bathrooms, and in retail, LED strips with aluminum profiles are ideal for highlighting products! Trust your lighting project to the experienced team of LED House - [let's bring your vision to life!](#)



Aluminium profile LUMINES ILEDO 3m black

Product code 15803

Brand [LUMINES](#)

Height 30.0mm

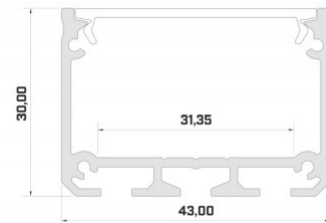
Width 43.0mm

Length 3000.0mm

Casing colour black

Casing material aluminium

A surface-mounted aluminum profile is a practical method for installing an LED strip effectively. With an aluminum profile, there is no risk of the LED strip shifting out of place, and the profile cover maintains uniform and cozy light distribution. The profile is durable yet lightweight, ensuring a long lifespan and stability. Installing a surface-mounted aluminum profile is very easy. An aluminum profile is ideal for use in many different rooms. In the kitchen, a high-power LED strip with an aluminum profile works well above the work surface. In the living room, this combination can create cozy accent lighting. High IP-rated products are perfect for bathrooms, and in retail, LED strips with aluminum profiles are ideal for highlighting products! Trust your lighting project to the experienced team of LED House - [let's bring your vision to life!](#)

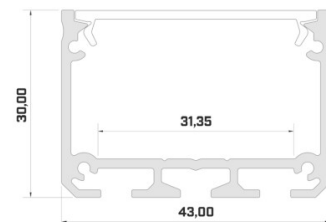


Aluminium profile LUMINES ILEDO 3m silver

Product code 15636

Brand [LUMINES](#)
 Height 30.0mm
 Width 43.0mm
 Length 3000.0mm
 Casing colour silver
 Casing material aluminium

A surface-mounted aluminum profile is a practical method for installing an LED strip effectively. With an aluminum profile, there is no risk of the LED strip shifting out of place, and the profile cover maintains uniform and cozy light distribution. The profile is durable yet lightweight, ensuring a long lifespan and stability. Installing a surface-mounted aluminum profile is very easy. An aluminum profile is ideal for use in many different rooms. In the kitchen, a high-power LED strip with an aluminum profile works well above the work surface. In the living room, this combination can create cozy accent lighting. High IP-rated products are perfect for bathrooms, and in retail, LED strips with aluminum profiles are ideal for highlighting products! Trust your lighting project to the experienced team of LED House - [let's bring your vision to life!](#)

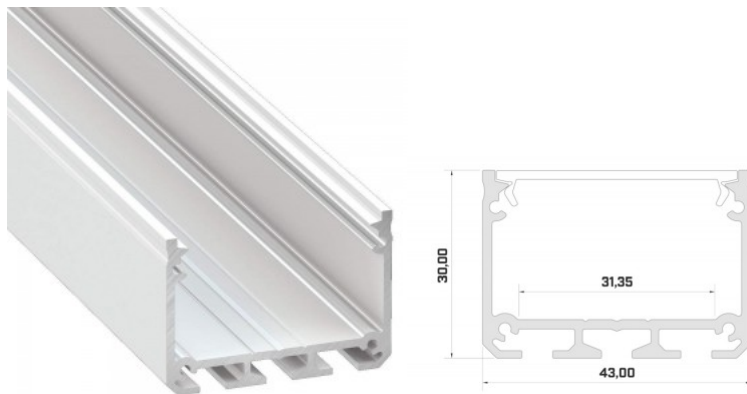


Aluminium profile LUMINES ILEDO 3m white

Product code 14719

Brand [LUMINES](#)
Height 30.0mm
Width 43.0mm
Length 3000.0mm
Casing colour white
Casing material aluminium

A surface-mounted aluminum profile is a practical method for installing an LED strip effectively. With an aluminum profile, there is no risk of the LED strip shifting out of place, and the profile cover maintains uniform and cozy light distribution. The profile is durable yet lightweight, ensuring a long lifespan and stability. Installing a surface-mounted aluminum profile is very easy. An aluminum profile is ideal for use in many different rooms. In the kitchen, a high-power LED strip with an aluminum profile works well above the work surface. In the living room, this combination can create cozy accent lighting. High IP-rated products are perfect for bathrooms, and in retail, LED strips with aluminum profiles are ideal for highlighting products! Trust your lighting project to the experienced team of LED House - [let's bring your vision to life!](#)

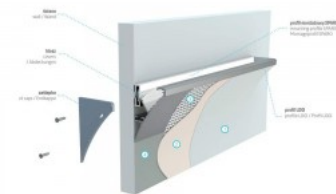
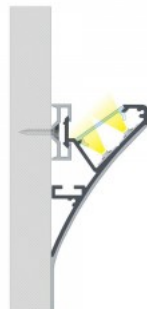
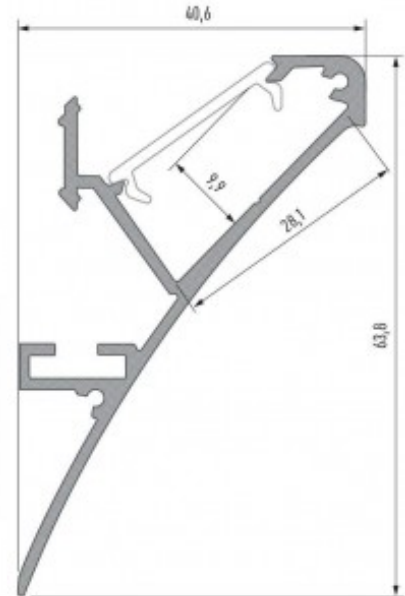


Aluminium profile LUMINES Logi 2m black

Product code 22169

Brand [LUMINES](#)
 Height 63.8mm
 Width 40.6mm
 Length 2002.0mm
 Casing colour black
 Casing material aluminium

A surface-mounted aluminum profile is a practical method for installing an LED strip effectively. With an aluminum profile, there is no risk of the LED strip shifting out of place, and the profile cover maintains uniform and cozy light distribution. The profile is durable yet lightweight, ensuring a long lifespan and stability. Installing a surface-mounted aluminum profile is very easy. An aluminum profile is ideal for use in many different rooms. In the kitchen, a high-power LED strip with an aluminum profile works well above the work surface. In the living room, this combination can create cozy accent lighting. High IP-rated products are perfect for bathrooms, and in retail, LED strips with aluminum profiles are ideal for highlighting products! Trust your lighting project to the experienced team of LED House - [let's bring your vision to life!](#)



Aluminium profile LUMINES Logi 2m silver

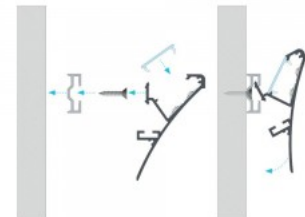
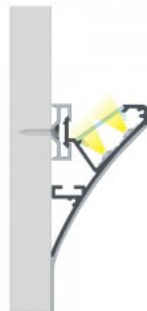
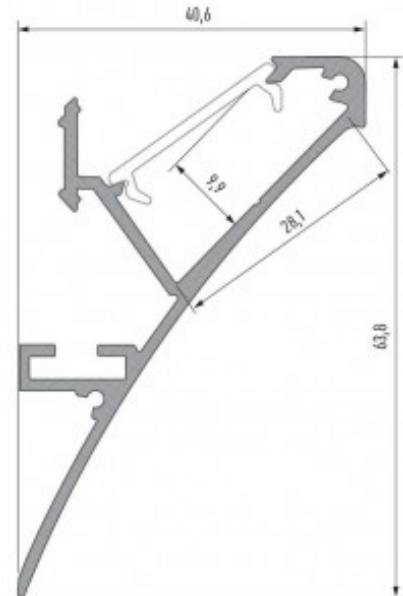
Product code 15516

Brand [LUMINES](#)

Casing colour silver

Casing material aluminium

A surface-mounted aluminum profile is a practical method for installing an LED strip effectively. With an aluminum profile, there is no risk of the LED strip shifting out of place, and the profile cover maintains uniform and cozy light distribution. The profile is durable yet lightweight, ensuring a long lifespan and stability. Installing a surface-mounted aluminum profile is very easy. An aluminum profile is ideal for use in many different rooms. In the kitchen, a high-power LED strip with an aluminum profile works well above the work surface. In the living room, this combination can create cozy accent lighting. High IP-rated products are perfect for bathrooms, and in retail, LED strips with aluminum profiles are ideal for highlighting products! Trust your lighting project to the experienced team of LED House - [let's bring your vision to life!](#)

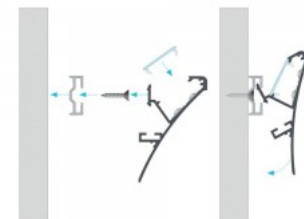
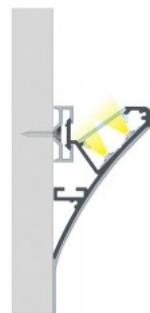
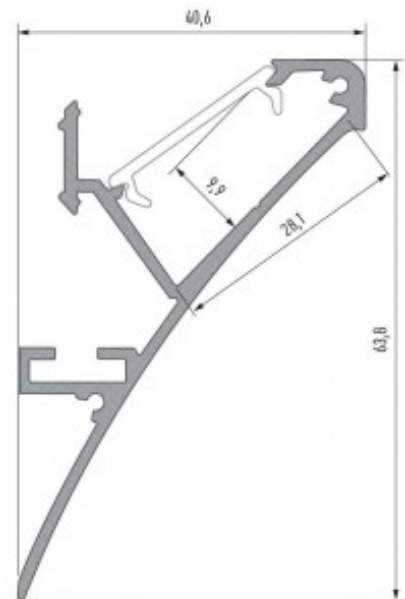


Aluminium profile LUMINES Logi 2m white

Product code 15518

Brand [LUMINES](#)
 Casing colour white
 Casing material aluminium

A surface-mounted aluminum profile is a practical method for installing an LED strip effectively. With an aluminum profile, there is no risk of the LED strip shifting out of place, and the profile cover maintains uniform and cozy light distribution. The profile is durable yet lightweight, ensuring a long lifespan and stability. Installing a surface-mounted aluminum profile is very easy. An aluminum profile is ideal for use in many different rooms. In the kitchen, a high-power LED strip with an aluminum profile works well above the work surface. In the living room, this combination can create cozy accent lighting. High IP-rated products are perfect for bathrooms, and in retail, LED strips with aluminum profiles are ideal for highlighting products! Trust your lighting project to the experienced team of LED House - [let's bring your vision to life!](#)



Aluminium profile LUMINES PMMA A B C D G H Y Z 3m, milky 51%

Product code 15291

Brand [LUMINES](#)
 Length 3000.0mm

Cover for aluminum profile. The cover is made of high-quality plastic, which ensures even light distribution and reduces glare. Illuminate your world with LED House professionals - [check out our project portfolio here!](#)

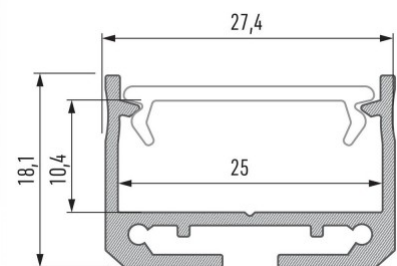


Aluminium profile LUMINES SILEDA 2m black

Product code 16825

Brand [LUMINES](#)
 Height 18.1mm
 Width 27.4mm
 Length 2020.0mm
 Casing colour black
 Casing material aluminium
 Polishing matt

A surface-mounted aluminum profile is a practical method for installing an LED strip effectively. With an aluminum profile, there is no risk of the LED strip shifting out of place, and the profile cover maintains uniform and cozy light distribution. The profile is durable yet lightweight, ensuring a long lifespan and stability. Installing a surface-mounted aluminum profile is very easy. An aluminum profile is ideal for use in many different rooms. In the kitchen, a high-power LED strip with an aluminum profile works well above the work surface. In the living room, this combination can create cozy accent lighting. High IP-rated products are perfect for bathrooms, and in retail, LED strips with aluminum profiles are ideal for highlighting products! Trust your lighting project to the experienced team of LED House - [let's bring your vision to life!](#)

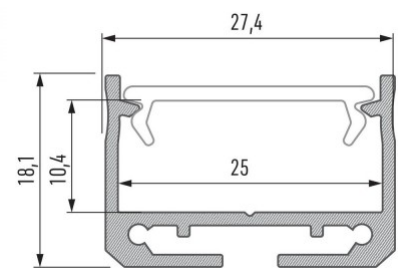


Aluminium profile LUMINES SILEDA 2m silver

Product code 14674

Brand [LUMINES](#)
 Height 18.1mm
 Width 27.4mm
 Length 2020.0mm
 Casing colour silver
 Casing material aluminium
 Polishing matt

A surface-mounted aluminum profile is a practical method for installing an LED strip effectively. With an aluminum profile, there is no risk of the LED strip shifting out of place, and the profile cover maintains uniform and cozy light distribution. The profile is durable yet lightweight, ensuring a long lifespan and stability. Installing a surface-mounted aluminum profile is very easy. An aluminum profile is ideal for use in many different rooms. In the kitchen, a high-power LED strip with an aluminum profile works well above the work surface. In the living room, this combination can create cozy accent lighting. High IP-rated products are perfect for bathrooms, and in retail, LED strips with aluminum profiles are ideal for highlighting products! Trust your lighting project to the experienced team of LED House - [let's bring your vision to life!](#)

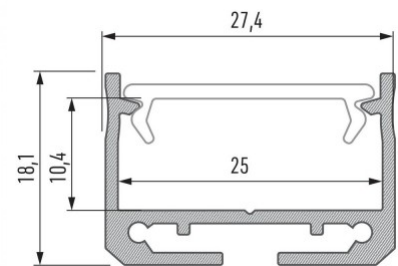


Aluminium profile LUMINES SILEDA 2m white

Product code 17811

Brand [LUMINES](#)
 Height 18.1mm
 Width 27.4mm
 Length 2020.0mm
 Casing colour white
 Casing material aluminium
 Polishing matt

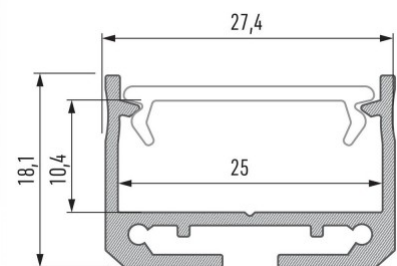
A surface-mounted aluminum profile is a practical method for installing an LED strip effectively. With an aluminum profile, there is no risk of the LED strip shifting out of place, and the profile cover maintains uniform and cozy light distribution. The profile is durable yet lightweight, ensuring a long lifespan and stability. Installing a surface-mounted aluminum profile is very easy. An aluminum profile is ideal for use in many different rooms. In the kitchen, a high-power LED strip with an aluminum profile works well above the work surface. In the living room, this combination can create cozy accent lighting. High IP-rated products are perfect for bathrooms, and in retail, LED strips with aluminum profiles are ideal for highlighting products! Trust your lighting project to the experienced team of LED House - [let's bring your vision to life!](#)



Aluminium profile LUMINES SILEDA 3m black

Product code 19641

Brand [LUMINES](#)
 Height 18.1mm
 Width 27.4mm
 Length 3020.0mm
 Casing colour black
 Casing material aluminium
 Polishing matt



A surface-mounted aluminum profile is a practical method for installing an LED strip effectively. With an aluminum profile, there is no risk of the LED strip shifting out of place, and the profile cover maintains uniform and cozy light distribution. The profile is durable yet lightweight, ensuring a long lifespan and stability. Installing a surface-mounted aluminum profile is very easy. An aluminum profile is ideal for use in many different rooms. In the kitchen, a high-power LED strip with an aluminum profile works well above the work surface. In the living room, this combination can create cozy accent lighting. High IP-rated products are perfect for bathrooms, and in retail, LED strips with aluminum profiles are ideal for highlighting products! Trust your lighting project to the experienced team of LED House - [let's bring your vision to life!](#)

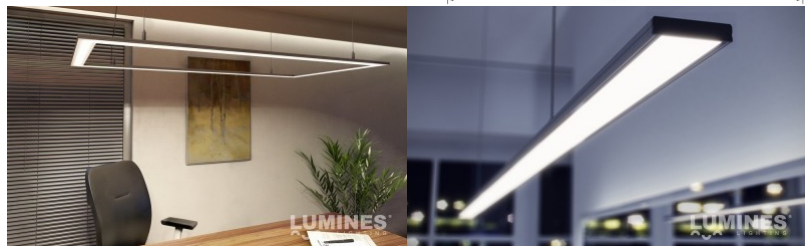
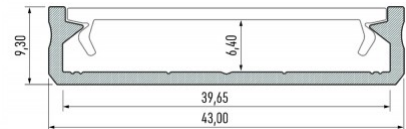


Aluminium profile LUMINES SOLIS 2m black

Product code 17203

Brand [LUMINES](#)
 Height 9.3mm
 Width 43.0mm
 Length 2020.0mm
 Casing colour black
 Casing material aluminium

A surface-mounted aluminum profile is a practical method for installing an LED strip effectively. With an aluminum profile, there is no risk of the LED strip shifting out of place, and the profile cover maintains uniform and cozy light distribution. The profile is durable yet lightweight, ensuring a long lifespan and stability. Installing a surface-mounted aluminum profile is very easy. An aluminum profile is ideal for use in many different rooms. In the kitchen, a high-power LED strip with an aluminum profile works well above the work surface. In the living room, this combination can create cozy accent lighting. High IP-rated products are perfect for bathrooms, and in retail, LED strips with aluminum profiles are ideal for highlighting products! Trust your lighting project to the experienced team of LED House - [let's bring your vision to life!](#)



Aluminium profile LUMINES SOLIS 2m silver

Product code 14538

Brand [LUMINES](#)

Height 9.3mm

Width 43.0mm

Length 2020.0mm

Casing colour silver

Casing material aluminium

A surface-mounted aluminum profile is a practical method for installing an LED strip effectively. With an aluminum profile, there is no risk of the LED strip shifting out of place, and the profile cover maintains uniform and cozy light distribution. The profile is durable yet lightweight, ensuring a long lifespan and stability. Installing a surface-mounted aluminum profile is very easy. An aluminum profile is ideal for use in many different rooms. In the kitchen, a high-power LED strip with an aluminum profile works well above the work surface. In the living room, this combination can create cozy accent lighting. High IP-rated products are perfect for bathrooms, and in retail, LED strips with aluminum profiles are ideal for highlighting products! Trust your lighting project to the experienced team of LED House - [let's bring your vision to life!](#)



Aluminium profile LUMINES SOLIS 2m white

Product code 17907

Brand [LUMINES](#)
 Height 9.3mm
 Width 43.0mm
 Length 2020.0mm
 Casing colour white
 Casing material aluminium

A surface-mounted aluminum profile is a practical method for installing an LED strip effectively. With an aluminum profile, there is no risk of the LED strip shifting out of place, and the profile cover maintains uniform and cozy light distribution. The profile is durable yet lightweight, ensuring a long lifespan and stability. Installing a surface-mounted aluminum profile is very easy. An aluminum profile is ideal for use in many different rooms. In the kitchen, a high-power LED strip with an aluminum profile works well above the work surface. In the living room, this combination can create cozy accent lighting. High IP-rated products are perfect for bathrooms, and in retail, LED strips with aluminum profiles are ideal for highlighting products! Trust your lighting project to the experienced team of LED House - [let's bring your vision to life!](#)



Aluminium profile LUMINES Sparo 2m silver

Product code 15517

Brand [LUMINES](#)
 Casing colour silver
 Casing material aluminium

Logi LED profile wall mount.

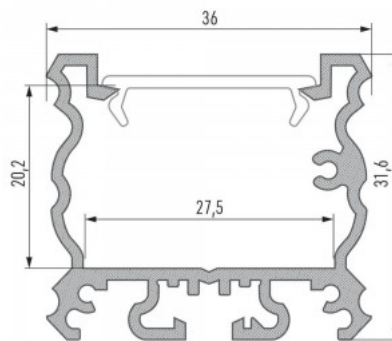


Aluminium profile LUMINES TALIA 2m black

Product code 16216

Brand [LUMINES](#)
 Height 31.6mm
 Width 36.0mm
 Length 2000.0mm
 Casing colour black
 Casing material aluminium

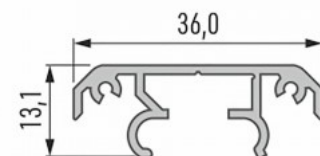
A surface-mounted aluminum profile is a practical method for installing an LED strip effectively. With an aluminum profile, there is no risk of the LED strip shifting out of place, and the profile cover maintains uniform and cozy light distribution. The profile is durable yet lightweight, ensuring a long lifespan and stability. Installing a surface-mounted aluminum profile is very easy. An aluminum profile is ideal for use in many different rooms. In the kitchen, a high-power LED strip with an aluminum profile works well above the work surface. In the living room, this combination can create cozy accent lighting. High IP-rated products are perfect for bathrooms, and in retail, LED strips with aluminum profiles are ideal for highlighting products! Trust your lighting project to the experienced team of LED House - [let's bring your vision to life!](#)



Aluminium profile LUMINES TALIA M1 2m black

Product code 17455

Brand [LUMINES](#)
 Height 13.1mm
 Width 36.0mm
 Length 2020.0mm
 Casing colour black
 Casing material aluminium



Aluminumprofile.

Aluminium profile LUMINES TALIA M1 3m silver

Product code 22192

Brand [LUMINES](#)
Height 34.1mm
Width 43.1mm
Length 3000.0mm
Casing colour silver
Casing material aluminium

A surface-mounted aluminum profile is a practical method for installing an LED strip effectively. With an aluminum profile, there is no risk of the LED strip shifting out of place, and the profile cover maintains uniform and cozy light distribution. The profile is durable yet lightweight, ensuring a long lifespan and stability. Installing a surface-mounted aluminum profile is very easy. An aluminum profile is ideal for use in many different rooms. In the kitchen, a high-power LED strip with an aluminum profile works well above the work surface. In the living room, this combination can create cozy accent lighting. High IP-rated products are perfect for bathrooms, and in retail, LED strips with aluminum profiles are ideal for highlighting products! Trust your lighting project to the experienced team of LED House - [let's bring your vision to life!](#)



Aluminium profile LUMINES TOPO 2m white

Product code 17199

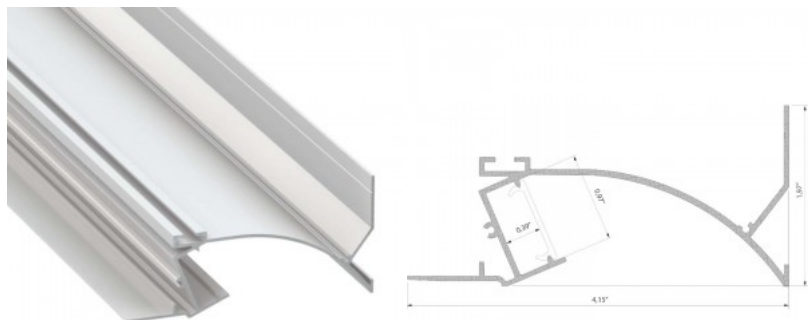
Brand [LUMINES](#)

Length 2000.0mm

Casing colour white

Casing material aluminium

A surface-mounted aluminum profile is a practical method for installing an LED strip effectively. With an aluminum profile, there is no risk of the LED strip shifting out of place, and the profile cover maintains uniform and cozy light distribution. The profile is durable yet lightweight, ensuring a long lifespan and stability. Installing a surface-mounted aluminum profile is very easy. An aluminum profile is ideal for use in many different rooms. In the kitchen, a high-power LED strip with an aluminum profile works well above the work surface. In the living room, this combination can create cozy accent lighting. High IP-rated products are perfect for bathrooms, and in retail, LED strips with aluminum profiles are ideal for highlighting products! Trust your lighting project to the experienced team of LED House - [let's bring your vision to life!](#)

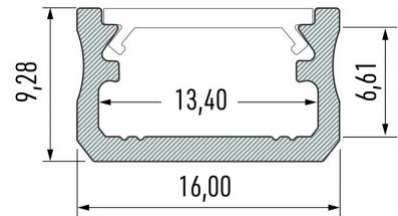


Aluminium profile LUMINES Type A 2m black

Product code 14645

Brand [LUMINES](#)
 Height 9.3mm
 Width 16.0mm
 Length 2020.0mm
 Casing colour black
 Casing material aluminium
 Polishing matt

A surface-mounted aluminum profile is a practical method for installing an LED strip effectively. With an aluminum profile, there is no risk of the LED strip shifting out of place, and the profile cover maintains uniform and cozy light distribution. The profile is durable yet lightweight, ensuring a long lifespan and stability. Installing a surface-mounted aluminum profile is very easy. An aluminum profile is ideal for use in many different rooms. In the kitchen, a high-power LED strip with an aluminum profile works well above the work surface. In the living room, this combination can create cozy accent lighting. High IP-rated products are perfect for bathrooms, and in retail, LED strips with aluminum profiles are ideal for highlighting products! Trust your lighting project to the experienced team of LED House - [let's bring your vision to life!](#)



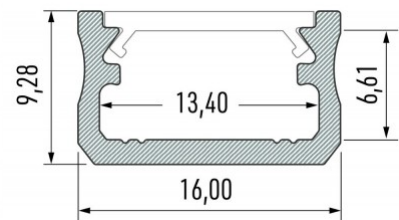
Aluminium profile LUMINES Type A 2m gold

Product code 19115

Brand [LUMINES](#)

Casing colour gold

A surface-mounted aluminum profile is a practical method for installing an LED strip effectively. With an aluminum profile, there is no risk of the LED strip shifting out of place, and the profile cover maintains uniform and cozy light distribution. The profile is durable yet lightweight, ensuring a long lifespan and stability. Installing a surface-mounted aluminum profile is very easy. An aluminum profile is ideal for use in many different rooms. In the kitchen, a high-power LED strip with an aluminum profile works well above the work surface. In the living room, this combination can create cozy accent lighting. High IP-rated products are perfect for bathrooms, and in retail, LED strips with aluminum profiles are ideal for highlighting products! Trust your lighting project to the experienced team of LED House - [let's bring your vision to life!](#)



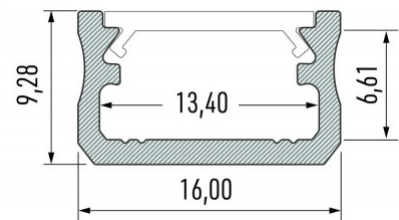
Aluminium profile LUMINES Type A 2m inox

Product code 14941

Brand [LUMINES](#)

Casing colour inox

A surface-mounted aluminum profile is a practical method for installing an LED strip effectively. With an aluminum profile, there is no risk of the LED strip shifting out of place, and the profile cover maintains uniform and cozy light distribution. The profile is durable yet lightweight, ensuring a long lifespan and stability. Installing a surface-mounted aluminum profile is very easy. An aluminum profile is ideal for use in many different rooms. In the kitchen, a high-power LED strip with an aluminum profile works well above the work surface. In the living room, this combination can create cozy accent lighting. High IP-rated products are perfect for bathrooms, and in retail, LED strips with aluminum profiles are ideal for highlighting products! Trust your lighting project to the experienced team of LED House - [let's bring your vision to life!](#)

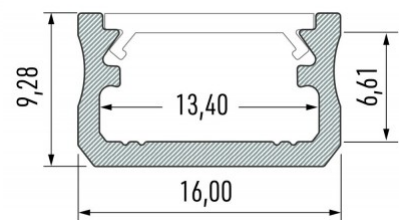


Aluminium profile LUMINES Type A 2m silver

Product code 14284

Brand [LUMINES](#)
 Height 9.3mm
 Width 16.0mm
 Casing colour silver
 Casing material aluminium
 Polishing matt

A surface-mounted aluminum profile is a practical method for installing an LED strip effectively. With an aluminum profile, there is no risk of the LED strip shifting out of place, and the profile cover maintains uniform and cozy light distribution. The profile is durable yet lightweight, ensuring a long lifespan and stability. Installing a surface-mounted aluminum profile is very easy. An aluminum profile is ideal for use in many different rooms. In the kitchen, a high-power LED strip with an aluminum profile works well above the work surface. In the living room, this combination can create cozy accent lighting. High IP-rated products are perfect for bathrooms, and in retail, LED strips with aluminum profiles are ideal for highlighting products! Trust your lighting project to the experienced team of LED House - [let's bring your vision to life!](#)



Aluminium profile LUMINES Type A 2m white

Product code 14646

Brand [LUMINES](#)

Height 9.3mm

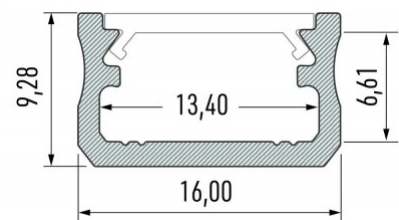
Width 16.0mm

Casing colour white

Casing material aluminium

Polishing matt

A surface-mounted aluminum profile is a practical method for installing an LED strip effectively. With an aluminum profile, there is no risk of the LED strip shifting out of place, and the profile cover maintains uniform and cozy light distribution. The profile is durable yet lightweight, ensuring a long lifespan and stability. Installing a surface-mounted aluminum profile is very easy. An aluminum profile is ideal for use in many different rooms. In the kitchen, a high-power LED strip with an aluminum profile works well above the work surface. In the living room, this combination can create cozy accent lighting. High IP-rated products are perfect for bathrooms, and in retail, LED strips with aluminum profiles are ideal for highlighting products! Trust your lighting project to the experienced team of LED House - [let's bring your vision to life!](#)

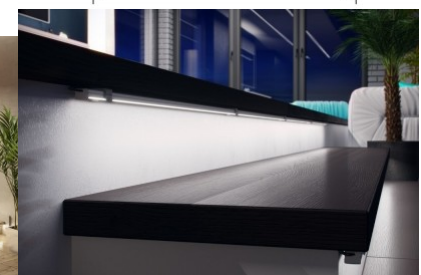
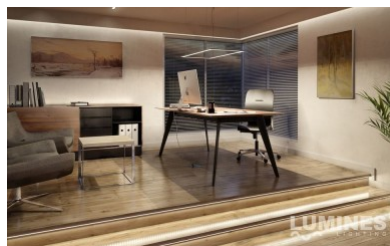
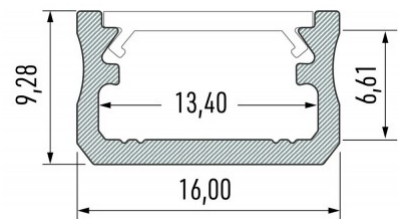


Aluminium profile LUMINES Type A 3m black

Product code 16424

Brand [LUMINES](#)
 Height 9.3mm
 Width 16.0mm
 Length 3000.0mm
 Casing colour black
 Casing material aluminium
 Polishing matt

A surface-mounted aluminum profile is a practical method for installing an LED strip effectively. With an aluminum profile, there is no risk of the LED strip shifting out of place, and the profile cover maintains uniform and cozy light distribution. The profile is durable yet lightweight, ensuring a long lifespan and stability. Installing a surface-mounted aluminum profile is very easy. An aluminum profile is ideal for use in many different rooms. In the kitchen, a high-power LED strip with an aluminum profile works well above the work surface. In the living room, this combination can create cozy accent lighting. High IP-rated products are perfect for bathrooms, and in retail, LED strips with aluminum profiles are ideal for highlighting products! Trust your lighting project to the experienced team of LED House - [let's bring your vision to life!](#)

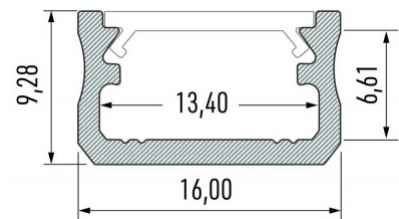


Aluminium profile LUMINES Type A 3m silver

Product code 15481

Brand [LUMINES](#)
 Height 9.3mm
 Width 16.0mm
 Length 3000.0mm
 Casing colour silver
 Casing material aluminium
 Polishing matt

A surface-mounted aluminum profile is a practical method for installing an LED strip effectively. With an aluminum profile, there is no risk of the LED strip shifting out of place, and the profile cover maintains uniform and cozy light distribution. The profile is durable yet lightweight, ensuring a long lifespan and stability. Installing a surface-mounted aluminum profile is very easy. An aluminum profile is ideal for use in many different rooms. In the kitchen, a high-power LED strip with an aluminum profile works well above the work surface. In the living room, this combination can create cozy accent lighting. High IP-rated products are perfect for bathrooms, and in retail, LED strips with aluminum profiles are ideal for highlighting products! Trust your lighting project to the experienced team of LED House - [let's bring your vision to life!](#)

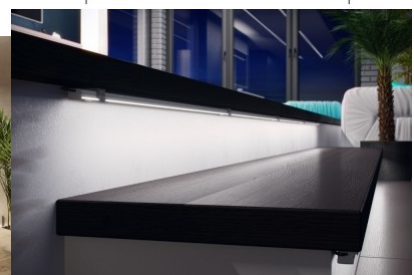
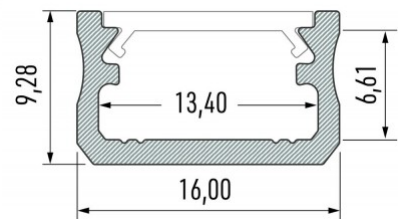


Aluminium profile LUMINES Type A 3m white

Product code 14655

Brand [LUMINES](#)
 Height 9.3mm
 Width 16.0mm
 Length 3000.0mm
 Casing colour white
 Casing material aluminium
 Polishing matt

A surface-mounted aluminum profile is a practical method for installing an LED strip effectively. With an aluminum profile, there is no risk of the LED strip shifting out of place, and the profile cover maintains uniform and cozy light distribution. The profile is durable yet lightweight, ensuring a long lifespan and stability. Installing a surface-mounted aluminum profile is very easy. An aluminum profile is ideal for use in many different rooms. In the kitchen, a high-power LED strip with an aluminum profile works well above the work surface. In the living room, this combination can create cozy accent lighting. High IP-rated products are perfect for bathrooms, and in retail, LED strips with aluminum profiles are ideal for highlighting products! Trust your lighting project to the experienced team of LED House - [let's bring your vision to life!](#)



Aluminium profile LUMINES Type A B C D G H Y Z 3m, PMMA frosted 78%

Product code 14804

Brand [LUMINES](#)
 Length 3000.0mm
 Casing material aluminium
 Polishing matt
 Warranty 2 years

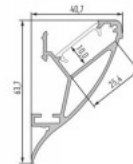
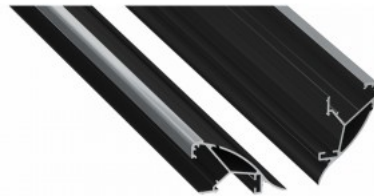


Cover for aluminum profile. The cover is made of high-quality plastic, which ensures even light distribution and reduces glare. Illuminate your world with LED House professionals - [check out our project portfolio here!](#)

Aluminium profile LUMINES Type Conva black

Product code 22168

Brand [LUMINES](#)
 Height 63.7mm
 Width 40.7mm
 Length 2002.0mm
 Casing colour black
 Casing material aluminium
 Polishing matt

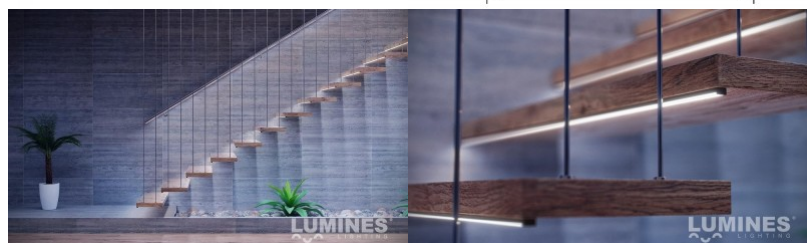
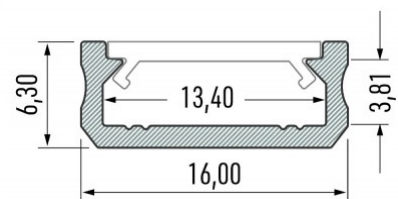
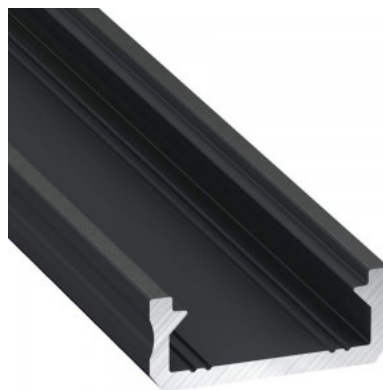


Aluminium profile LUMINES Type D 2m black

Product code 14905

Brand [LUMINES](#)
 Height 6.3mm
 Width 16.0mm
 Length 2020.0mm
 Casing colour black
 Casing material aluminium

A surface-mounted aluminum profile is a practical method for installing an LED strip effectively. With an aluminum profile, there is no risk of the LED strip shifting out of place, and the profile cover maintains uniform and cozy light distribution. The profile is durable yet lightweight, ensuring a long lifespan and stability. Installing a surface-mounted aluminum profile is very easy. An aluminum profile is ideal for use in many different rooms. In the kitchen, a high-power LED strip with an aluminum profile works well above the work surface. In the living room, this combination can create cozy accent lighting. High IP-rated products are perfect for bathrooms, and in retail, LED strips with aluminum profiles are ideal for highlighting products! Trust your lighting project to the experienced team of LED House - [let's bring your vision to life!](#)

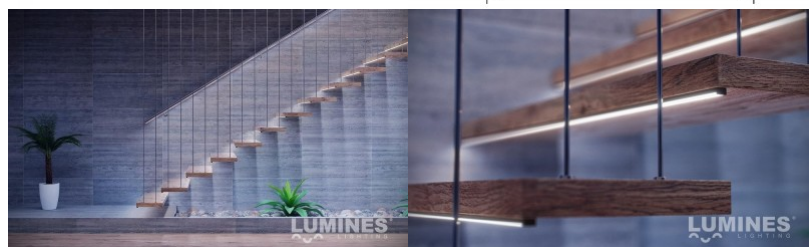
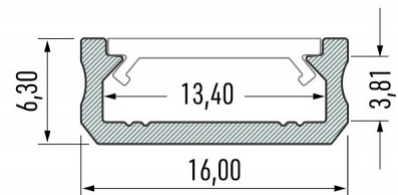
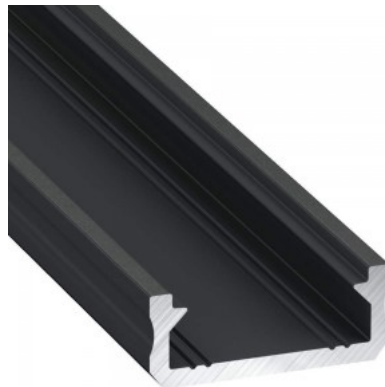


Aluminium profile LUMINES Type D 3m black

Product code 15761

Brand [LUMINES](#)
 Height 6.3mm
 Width 16.0mm
 Length 3000.0mm
 Casing colour black
 Casing material aluminium

A surface-mounted aluminum profile is a practical method for installing an LED strip effectively. With an aluminum profile, there is no risk of the LED strip shifting out of place, and the profile cover maintains uniform and cozy light distribution. The profile is durable yet lightweight, ensuring a long lifespan and stability. Installing a surface-mounted aluminum profile is very easy. An aluminum profile is ideal for use in many different rooms. In the kitchen, a high-power LED strip with an aluminum profile works well above the work surface. In the living room, this combination can create cozy accent lighting. High IP-rated products are perfect for bathrooms, and in retail, LED strips with aluminum profiles are ideal for highlighting products! Trust your lighting project to the experienced team of LED House - [let's bring your vision to life!](#)



Aluminium profile LUMINES Type D 2m gold

Product code 19118

Brand [LUMINES](#)

Height 6.3mm

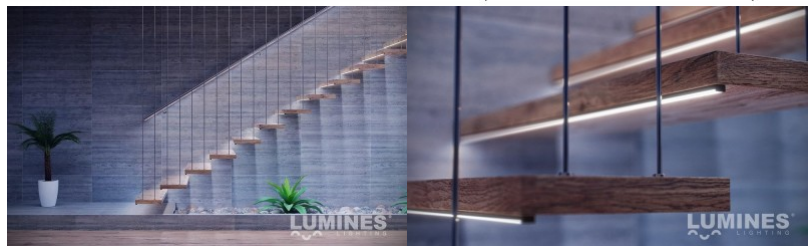
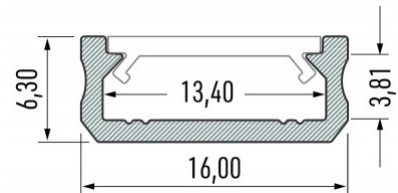
Width 16.0mm

Length 2020.0mm

Casing colour gold

Casing material aluminium

A surface-mounted aluminum profile is a practical method for installing an LED strip effectively. With an aluminum profile, there is no risk of the LED strip shifting out of place, and the profile cover maintains uniform and cozy light distribution. The profile is durable yet lightweight, ensuring a long lifespan and stability. Installing a surface-mounted aluminum profile is very easy. An aluminum profile is ideal for use in many different rooms. In the kitchen, a high-power LED strip with an aluminum profile works well above the work surface. In the living room, this combination can create cozy accent lighting. High IP-rated products are perfect for bathrooms, and in retail, LED strips with aluminum profiles are ideal for highlighting products! Trust your lighting project to the experienced team of LED House - [let's bring your vision to life!](#)

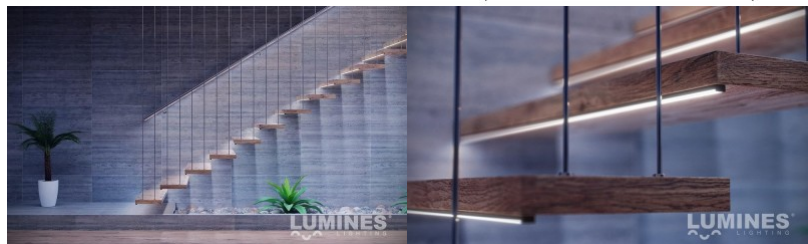
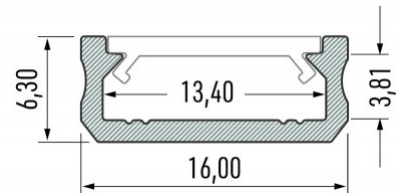


Aluminium profile LUMINES Type D 2m silver

Product code 14532

Brand [LUMINES](#)
 Height 6.3mm
 Width 16.0mm
 Length 2020.0mm
 Casing colour silver
 Casing material aluminium

A surface-mounted aluminum profile is a practical method for installing an LED strip effectively. With an aluminum profile, there is no risk of the LED strip shifting out of place, and the profile cover maintains uniform and cozy light distribution. The profile is durable yet lightweight, ensuring a long lifespan and stability. Installing a surface-mounted aluminum profile is very easy. An aluminum profile is ideal for use in many different rooms. In the kitchen, a high-power LED strip with an aluminum profile works well above the work surface. In the living room, this combination can create cozy accent lighting. High IP-rated products are perfect for bathrooms, and in retail, LED strips with aluminum profiles are ideal for highlighting products! Trust your lighting project to the experienced team of LED House - [let's bring your vision to life!](#)

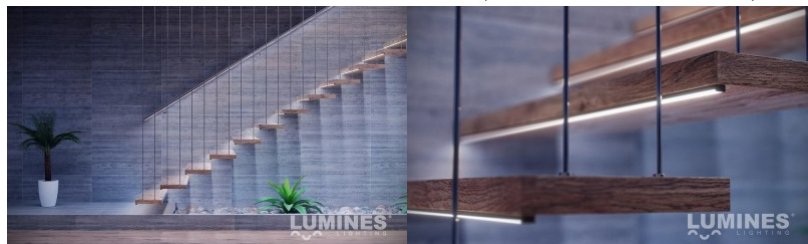
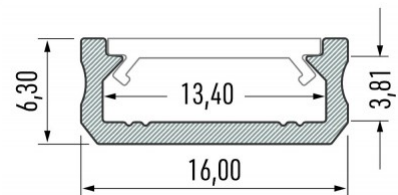


Aluminium profile LUMINES Type D 2m white

Product code 14902

Brand [LUMINES](#)
 Height 6.3mm
 Width 16.0mm
 Length 2020.0mm
 Casing colour white
 Casing material aluminium

A surface-mounted aluminum profile is a practical method for installing an LED strip effectively. With an aluminum profile, there is no risk of the LED strip shifting out of place, and the profile cover maintains uniform and cozy light distribution. The profile is durable yet lightweight, ensuring a long lifespan and stability. Installing a surface-mounted aluminum profile is very easy. An aluminum profile is ideal for use in many different rooms. In the kitchen, a high-power LED strip with an aluminum profile works well above the work surface. In the living room, this combination can create cozy accent lighting. High IP-rated products are perfect for bathrooms, and in retail, LED strips with aluminum profiles are ideal for highlighting products! Trust your lighting project to the experienced team of LED House - [let's bring your vision to life!](#)

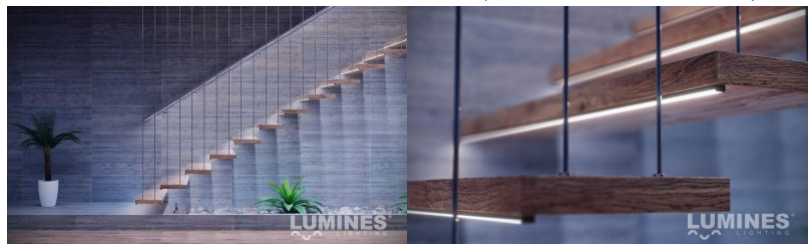
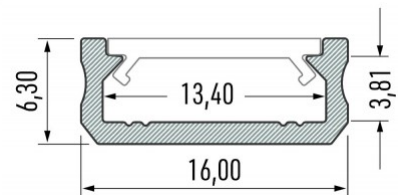


Aluminium profile LUMINES Type D 3m silver

Product code 18099

Brand [LUMINES](#)
 Height 6.3mm
 Width 16.0mm
 Length 3000.0mm
 Casing colour silver
 Casing material aluminium

A surface-mounted aluminum profile is a practical method for installing an LED strip effectively. With an aluminum profile, there is no risk of the LED strip shifting out of place, and the profile cover maintains uniform and cozy light distribution. The profile is durable yet lightweight, ensuring a long lifespan and stability. Installing a surface-mounted aluminum profile is very easy. An aluminum profile is ideal for use in many different rooms. In the kitchen, a high-power LED strip with an aluminum profile works well above the work surface. In the living room, this combination can create cozy accent lighting. High IP-rated products are perfect for bathrooms, and in retail, LED strips with aluminum profiles are ideal for highlighting products! Trust your lighting project to the experienced team of LED House - [let's bring your vision to life!](#)

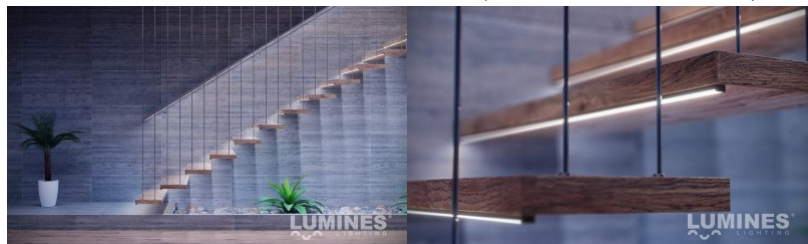
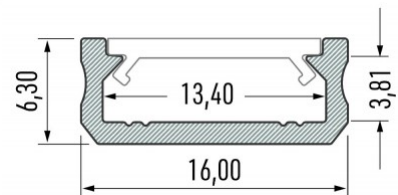


Aluminium profile LUMINES Type D 3m white

Product code 22142

Brand [LUMINES](#)
 Height 6.3mm
 Width 16.0mm
 Length 3000.0mm
 Casing colour white
 Casing material aluminium

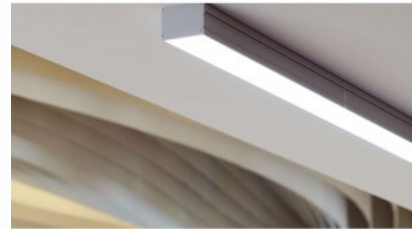
A surface-mounted aluminum profile is a practical method for installing an LED strip effectively. With an aluminum profile, there is no risk of the LED strip shifting out of place, and the profile cover maintains uniform and cozy light distribution. The profile is durable yet lightweight, ensuring a long lifespan and stability. Installing a surface-mounted aluminum profile is very easy. An aluminum profile is ideal for use in many different rooms. In the kitchen, a high-power LED strip with an aluminum profile works well above the work surface. In the living room, this combination can create cozy accent lighting. High IP-rated products are perfect for bathrooms, and in retail, LED strips with aluminum profiles are ideal for highlighting products! Trust your lighting project to the experienced team of LED House - [let's bring your vision to life!](#)



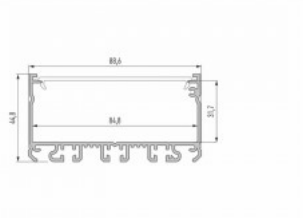
Aluminium profile LUMINES Type LARGO 3m white

Product code 18294

Brand [LUMINES](#)
 Height 44.8mm
 Width 88.6mm
 Length 3000.0mm
 Casing colour white
 Casing material aluminium
 Polishing matt



An aluminium profile designed for the precise and visually refined installation of LED strips in various interior or furniture applications. The profile provides mechanical protection for LED strips and helps dissipate heat, thereby extending the lifespan of the light sources. This profile enables a clean and uniform light line, especially when used with a diffuser. Thanks to its durable construction, it is suitable for both residential and commercial lighting solutions.



Aluminium profile LUMINES Type X 2m black

Product code 16476

Brand [LUMINES](#)

Height 9.3mm

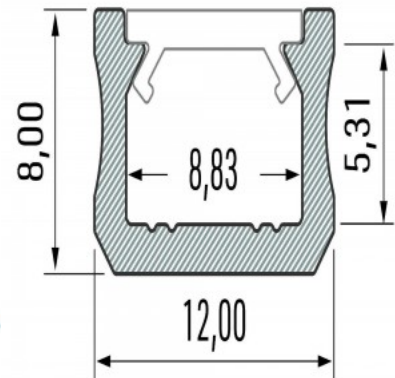
Width 12.0mm

Casing colour black

Casing material aluminium

Polishing matt

A surface-mounted aluminum profile is a practical method for installing an LED strip effectively. With an aluminum profile, there is no risk of the LED strip shifting out of place, and the profile cover maintains uniform and cozy light distribution. The profile is durable yet lightweight, ensuring a long lifespan and stability. Installing a surface-mounted aluminum profile is very easy. An aluminum profile is ideal for use in many different rooms. In the kitchen, a high-power LED strip with an aluminum profile works well above the work surface. In the living room, this combination can create cozy accent lighting. High IP-rated products are perfect for bathrooms, and in retail, LED strips with aluminum profiles are ideal for highlighting products! Trust your lighting project to the experienced team of LED House - [let's bring your vision to life!](#)



Aluminium profile LUMINES Type X 2m gold

Product code 19123

Brand [LUMINES](#)

Height 9.3mm

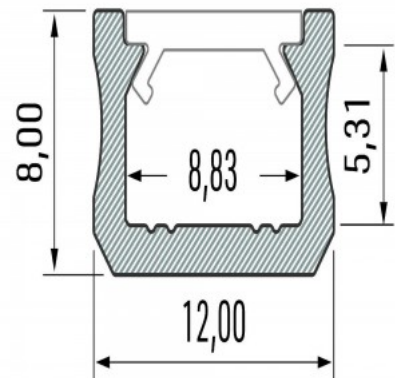
Width 12.0mm

Casing colour gold

Casing material aluminium

Polishing matt

A surface-mounted aluminum profile is a practical method for installing an LED strip effectively. With an aluminum profile, there is no risk of the LED strip shifting out of place, and the profile cover maintains uniform and cozy light distribution. The profile is durable yet lightweight, ensuring a long lifespan and stability. Installing a surface-mounted aluminum profile is very easy. An aluminum profile is ideal for use in many different rooms. In the kitchen, a high-power LED strip with an aluminum profile works well above the work surface. In the living room, this combination can create cozy accent lighting. High IP-rated products are perfect for bathrooms, and in retail, LED strips with aluminum profiles are ideal for highlighting products! Trust your lighting project to the experienced team of LED House - [let's bring your vision to life!](#)



Aluminium profile LUMINES Type X 2m inox

Product code 19985

Brand [LUMINES](#)
Height 8.0mm
Width 12.0mm
Length 2002.0mm
Casing colour inox
Casing material aluminium
Polishing matt

A surface-mounted aluminum profile is a practical method for installing an LED strip effectively. With an aluminum profile, there is no risk of the LED strip shifting out of place, and the profile cover maintains uniform and cozy light distribution. The profile is durable yet lightweight, ensuring a long lifespan and stability. Installing a surface-mounted aluminum profile is very easy. An aluminum profile is ideal for use in many different rooms. In the kitchen, a high-power LED strip with an aluminum profile works well above the work surface. In the living room, this combination can create cozy accent lighting. High IP-rated products are perfect for bathrooms, and in retail, LED strips with aluminum profiles are ideal for highlighting products! Trust your lighting project to the experienced team of LED House - [let's bring your vision to life!](#)



Aluminium profile LUMINES Type X 2m silver

Product code 15525

Brand [LUMINES](#)

Height 9.3mm

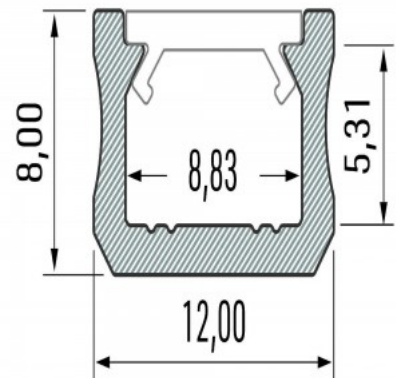
Width 12.0mm

Casing colour silver

Casing material aluminium

Polishing matt

A surface-mounted aluminum profile is a practical method for installing an LED strip effectively. With an aluminum profile, there is no risk of the LED strip shifting out of place, and the profile cover maintains uniform and cozy light distribution. The profile is durable yet lightweight, ensuring a long lifespan and stability. Installing a surface-mounted aluminum profile is very easy. An aluminum profile is ideal for use in many different rooms. In the kitchen, a high-power LED strip with an aluminum profile works well above the work surface. In the living room, this combination can create cozy accent lighting. High IP-rated products are perfect for bathrooms, and in retail, LED strips with aluminum profiles are ideal for highlighting products! Trust your lighting project to the experienced team of LED House - [let's bring your vision to life!](#)



Aluminium profile LUMINES Type X 3m black

Product code 17767

Brand [LUMINES](#)

Height 9.3mm

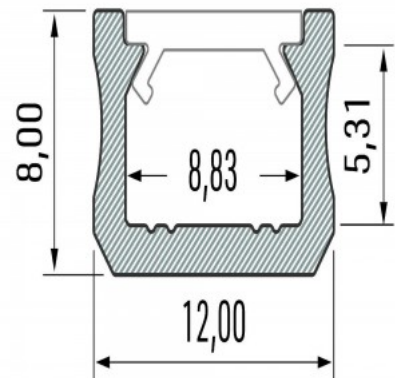
Width 12.0mm

Casing colour black

Casing material aluminium

Polishing matt

A surface-mounted aluminum profile is a practical method for installing an LED strip effectively. With an aluminum profile, there is no risk of the LED strip shifting out of place, and the profile cover maintains uniform and cozy light distribution. The profile is durable yet lightweight, ensuring a long lifespan and stability. Installing a surface-mounted aluminum profile is very easy. An aluminum profile is ideal for use in many different rooms. In the kitchen, a high-power LED strip with an aluminum profile works well above the work surface. In the living room, this combination can create cozy accent lighting. High IP-rated products are perfect for bathrooms, and in retail, LED strips with aluminum profiles are ideal for highlighting products! Trust your lighting project to the experienced team of LED House - [let's bring your vision to life!](#)



Aluminium profile LUMINES Type X 3m inox

Product code 18171

Brand [LUMINES](#)
Height 8.0mm
Width 12.0mm
Length 3000.0mm
Casing colour inox
Casing material aluminium
Polishing matt

A surface-mounted aluminum profile is a practical method for installing an LED strip effectively. With an aluminum profile, there is no risk of the LED strip shifting out of place, and the profile cover maintains uniform and cozy light distribution. The profile is durable yet lightweight, ensuring a long lifespan and stability. Installing a surface-mounted aluminum profile is very easy. An aluminum profile is ideal for use in many different rooms. In the kitchen, a high-power LED strip with an aluminum profile works well above the work surface. In the living room, this combination can create cozy accent lighting. High IP-rated products are perfect for bathrooms, and in retail, LED strips with aluminum profiles are ideal for highlighting products! Trust your lighting project to the experienced team of LED House - [let's bring your vision to life!](#)



Aluminium profile LUMINES Type Y 2m black

Product code 15122

Brand [LUMINES](#)

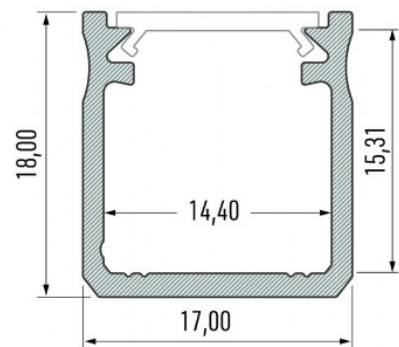
Height 18.0mm

Width 17.0mm

Casing colour black

Casing material aluminium

A surface-mounted aluminum profile is a practical method for installing an LED strip effectively. With an aluminum profile, there is no risk of the LED strip shifting out of place, and the profile cover maintains uniform and cozy light distribution. The profile is durable yet lightweight, ensuring a long lifespan and stability. Installing a surface-mounted aluminum profile is very easy. An aluminum profile is ideal for use in many different rooms. In the kitchen, a high-power LED strip with an aluminum profile works well above the work surface. In the living room, this combination can create cozy accent lighting. High IP-rated products are perfect for bathrooms, and in retail, LED strips with aluminum profiles are ideal for highlighting products! Trust your lighting project to the experienced team of LED House - [let's bring your vision to life!](#)

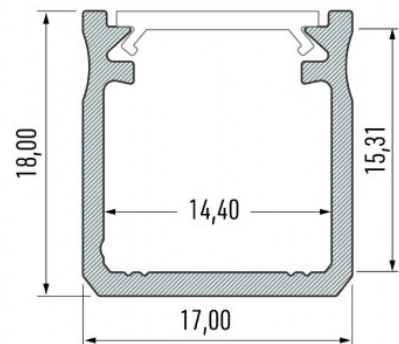
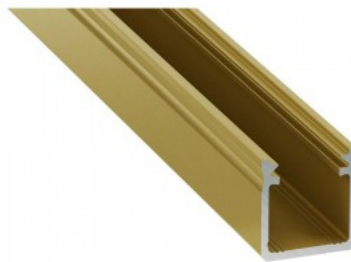


Aluminium profile LUMINES Type Y 2m gold

Product code 19120

Brand [LUMINES](#)
 Height 18.0mm
 Width 17.0mm
 Length 2020.0mm
 Casing colour gold
 Casing material aluminium

A surface-mounted aluminum profile is a practical method for installing an LED strip effectively. With an aluminum profile, there is no risk of the LED strip shifting out of place, and the profile cover maintains uniform and cozy light distribution. The profile is durable yet lightweight, ensuring a long lifespan and stability. Installing a surface-mounted aluminum profile is very easy. An aluminum profile is ideal for use in many different rooms. In the kitchen, a high-power LED strip with an aluminum profile works well above the work surface. In the living room, this combination can create cozy accent lighting. High IP-rated products are perfect for bathrooms, and in retail, LED strips with aluminum profiles are ideal for highlighting products! Trust your lighting project to the experienced team of LED House - [let's bring your vision to life!](#)

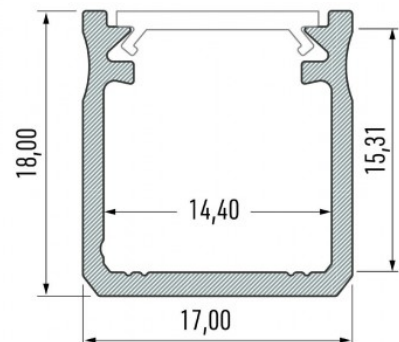


Aluminium profile LUMINES Type Y 2m silver

Product code 14536

Brand [LUMINES](#)
 Height 18.0mm
 Width 17.0mm
 Length 2020.0mm
 Casing colour silver
 Casing material aluminium

A surface-mounted aluminum profile is a practical method for installing an LED strip effectively. With an aluminum profile, there is no risk of the LED strip shifting out of place, and the profile cover maintains uniform and cozy light distribution. The profile is durable yet lightweight, ensuring a long lifespan and stability. Installing a surface-mounted aluminum profile is very easy. An aluminum profile is ideal for use in many different rooms. In the kitchen, a high-power LED strip with an aluminum profile works well above the work surface. In the living room, this combination can create cozy accent lighting. High IP-rated products are perfect for bathrooms, and in retail, LED strips with aluminum profiles are ideal for highlighting products! Trust your lighting project to the experienced team of LED House - [let's bring your vision to life!](#)

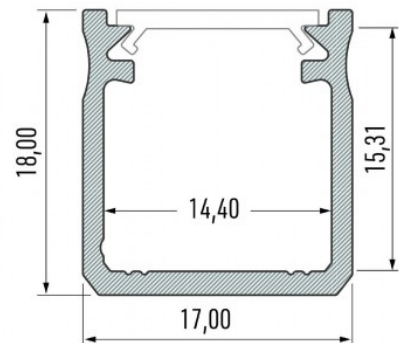


Aluminium profile LUMINES Type Y 2m white

Product code 15269

Brand [LUMINES](#)
 Height 18.0mm
 Width 17.0mm
 Casing colour white
 Casing material aluminium

A surface-mounted aluminum profile is a practical method for installing an LED strip effectively. With an aluminum profile, there is no risk of the LED strip shifting out of place, and the profile cover maintains uniform and cozy light distribution. The profile is durable yet lightweight, ensuring a long lifespan and stability. Installing a surface-mounted aluminum profile is very easy. An aluminum profile is ideal for use in many different rooms. In the kitchen, a high-power LED strip with an aluminum profile works well above the work surface. In the living room, this combination can create cozy accent lighting. High IP-rated products are perfect for bathrooms, and in retail, LED strips with aluminum profiles are ideal for highlighting products! Trust your lighting project to the experienced team of LED House - [let's bring your vision to life!](#)



Aluminium profile LUMINES Type Y 3m black

Product code 15372

Brand [LUMINES](#)

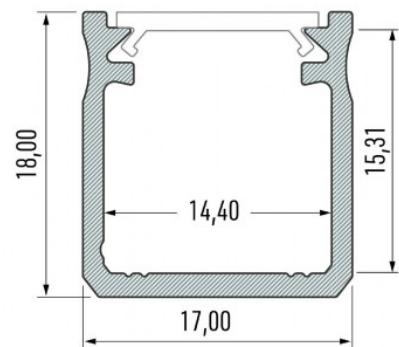
Height 18.0mm

Width 17.0mm

Casing colour black

Casing material aluminium

A surface-mounted aluminum profile is a practical method for installing an LED strip effectively. With an aluminum profile, there is no risk of the LED strip shifting out of place, and the profile cover maintains uniform and cozy light distribution. The profile is durable yet lightweight, ensuring a long lifespan and stability. Installing a surface-mounted aluminum profile is very easy. An aluminum profile is ideal for use in many different rooms. In the kitchen, a high-power LED strip with an aluminum profile works well above the work surface. In the living room, this combination can create cozy accent lighting. High IP-rated products are perfect for bathrooms, and in retail, LED strips with aluminum profiles are ideal for highlighting products! Trust your lighting project to the experienced team of LED House - [let's bring your vision to life!](#)

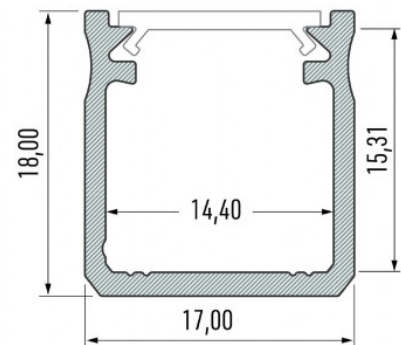


Aluminium profile LUMINES Type Y 3m white

Product code 15371

Brand [LUMINES](#)
 Height 18.0mm
 Width 17.0mm
 Length 3000.0mm
 Casing colour white
 Casing material aluminium

A surface-mounted aluminum profile is a practical method for installing an LED strip effectively. With an aluminum profile, there is no risk of the LED strip shifting out of place, and the profile cover maintains uniform and cozy light distribution. The profile is durable yet lightweight, ensuring a long lifespan and stability. Installing a surface-mounted aluminum profile is very easy. An aluminum profile is ideal for use in many different rooms. In the kitchen, a high-power LED strip with an aluminum profile works well above the work surface. In the living room, this combination can create cozy accent lighting. High IP-rated products are perfect for bathrooms, and in retail, LED strips with aluminum profiles are ideal for highlighting products! Trust your lighting project to the experienced team of LED House - [let's bring your vision to life!](#)

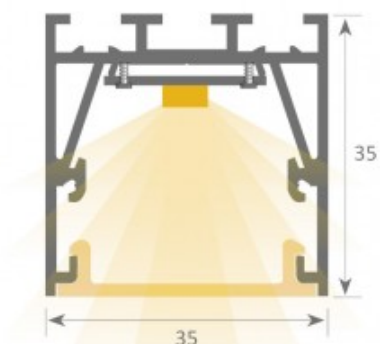


Aluminium profile LUZ NEGRA ARIZONA 2,5m silver

Product code 15085

Brand [LUZ NEGRA](#)
 Height 35.0mm
 Width 35.0mm
 Length 2500.0mm
 Casing colour silver
 Casing material aluminium
 Polishing matt

A surface-mounted aluminum profile is a practical method for installing an LED strip effectively. With an aluminum profile, there is no risk of the LED strip shifting out of place, and the profile cover maintains uniform and cozy light distribution. The profile is durable yet lightweight, ensuring a long lifespan and stability. Installing a surface-mounted aluminum profile is very easy. An aluminum profile is ideal for use in many different rooms. In the kitchen, a high-power LED strip with an aluminum profile works well above the work surface. In the living room, this combination can create cozy accent lighting. High IP-rated products are perfect for bathrooms, and in retail, LED strips with aluminum profiles are ideal for highlighting products! Trust your lighting project to the experienced team of LED House - [let's bring your vision to life!](#)



Aluminium profile LUZ NEGRA Berna 2m white

Product code 15144

Brand [LUZ NEGRA](#)
 Height 5.6mm
 Width 40.0mm
 Length 2000.0mm
 Casing colour white
 Casing material aluminium
 Polishing matt

A surface-mounted aluminum profile is a practical method for installing an LED strip effectively. With an aluminum profile, there is no risk of the LED strip shifting out of place, and the profile cover maintains uniform and cozy light distribution. The profile is durable yet lightweight, ensuring a long lifespan and stability. Installing a surface-mounted aluminum profile is very easy. An aluminum profile is ideal for use in many different rooms. In the kitchen, a high-power LED strip with an aluminum profile works well above the work surface. In the living room, this combination can create cozy accent lighting. High IP-rated products are perfect for bathrooms, and in retail, LED strips with aluminum profiles are ideal for highlighting products! Trust your lighting project to the experienced team of LED House - [let's bring your vision to life!](#)



Aluminium profile LUZ NEGRA California XL 3m silver

Product code 16121

Brand [LUZ NEGRA](#)
 Height 9.8mm
 Width 23.5mm
 Length 3000.0mm
 Casing colour silver
 Casing material aluminium
 Polishing matt

A surface-mounted aluminum profile is a practical method for installing an LED strip effectively. With an aluminum profile, there is no risk of the LED strip shifting out of place, and the profile cover maintains uniform and cozy light distribution. The profile is durable yet lightweight, ensuring a long lifespan and stability. Installing a surface-mounted aluminum profile is very easy. An aluminum profile is ideal for use in many different rooms. In the kitchen, a high-power LED strip with an aluminum profile works well above the work surface. In the living room, this combination can create cozy accent lighting. High IP-rated products are perfect for bathrooms, and in retail, LED strips with aluminum profiles are ideal for highlighting products! Trust your lighting project to the experienced team of LED House - [let's bring your vision to life!](#)



Scale 1:2



Scale 1:1

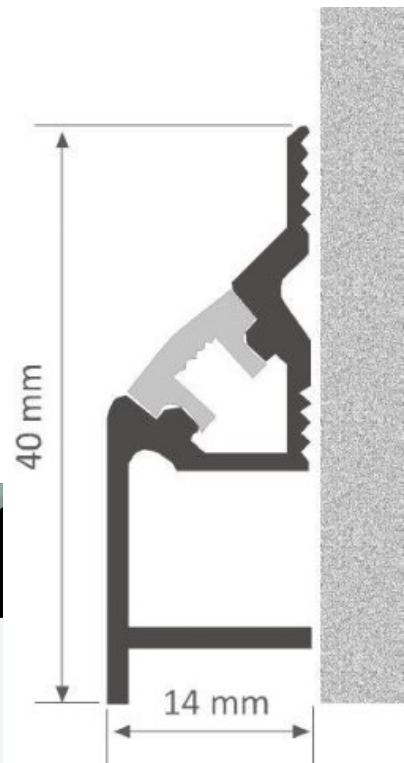
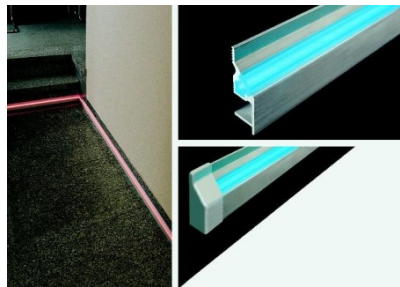


Aluminium profile LUZ NEGRA Cambridge 2,4m silver

Product code 13347

Brand [LUZ NEGRA](#)
 Height 40.0mm
 Width 14.0mm
 Length 2400.0mm
 Casing colour silver
 Casing material aluminium
 Polishing matt

A surface-mounted aluminum profile is a practical method for installing an LED strip effectively. With an aluminum profile, there is no risk of the LED strip shifting out of place, and the profile cover maintains uniform and cozy light distribution. The profile is durable yet lightweight, ensuring a long lifespan and stability. Installing a surface-mounted aluminum profile is very easy. An aluminum profile is ideal for use in many different rooms. In the kitchen, a high-power LED strip with an aluminum profile works well above the work surface. In the living room, this combination can create cozy accent lighting. High IP-rated products are perfect for bathrooms, and in retail, LED strips with aluminum profiles are ideal for highlighting products! Trust your lighting project to the experienced team of LED House - [let's bring your vision to life!](#)



Aluminium profile LUZ NEGRA Colonia 3m silver

Product code 13564

Brand [LUZ NEGRA](#)

Height 14.0mm

Width 40.0mm

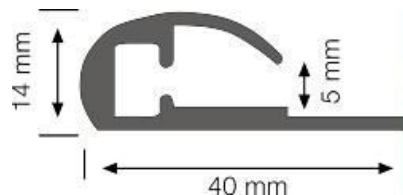
Length 3000.0mm

Casing colour silver

Casing material aluminium

Polishing matt

A surface-mounted aluminum profile is a practical method for installing an LED strip effectively. With an aluminum profile, there is no risk of the LED strip shifting out of place, and the profile cover maintains uniform and cozy light distribution. The profile is durable yet lightweight, ensuring a long lifespan and stability. Installing a surface-mounted aluminum profile is very easy. An aluminum profile is ideal for use in many different rooms. In the kitchen, a high-power LED strip with an aluminum profile works well above the work surface. In the living room, this combination can create cozy accent lighting. High IP-rated products are perfect for bathrooms, and in retail, LED strips with aluminum profiles are ideal for highlighting products! Trust your lighting project to the experienced team of LED House - [let's bring your vision to life!](#)

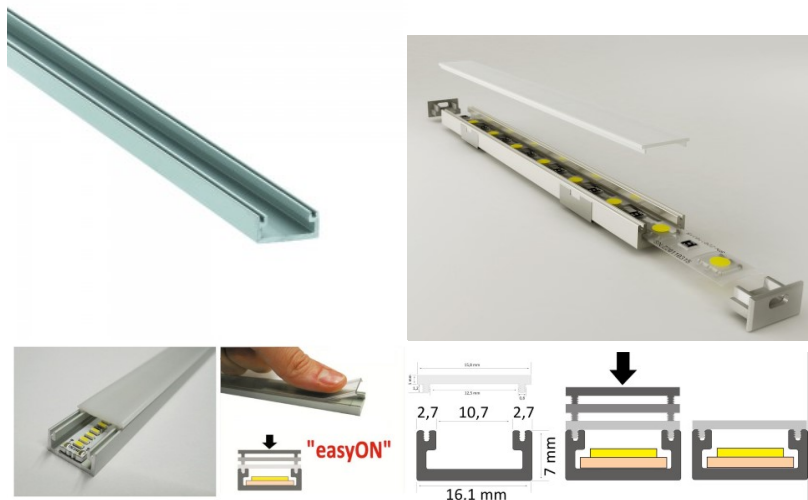


Aluminium profile LUZ NEGRA Milano 2m silver

Product code 13338

Brand [LUZ NEGRA](#)
 Height 7.0mm
 Width 16.0mm
 Length 2000.0mm
 Casing colour silver
 Casing material aluminium
 Polishing matt

A surface-mounted aluminum profile is a practical method for installing an LED strip effectively. With an aluminum profile, there is no risk of the LED strip shifting out of place, and the profile cover maintains uniform and cozy light distribution. The profile is durable yet lightweight, ensuring a long lifespan and stability. Installing a surface-mounted aluminum profile is very easy. An aluminum profile is ideal for use in many different rooms. In the kitchen, a high-power LED strip with an aluminum profile works well above the work surface. In the living room, this combination can create cozy accent lighting. High IP-rated products are perfect for bathrooms, and in retail, LED strips with aluminum profiles are ideal for highlighting products! Trust your lighting project to the experienced team of LED House - [let's bring your vision to life!](#)



Aluminium profile LUZ NEGRA Milano Slim 2m silver

Product code 18178

Brand [LUZ NEGRA](#)

Height 4.1mm

Width 16.0mm

Length 2000.0mm

Casing colour silver

Luz Negra Milano Slim is a sleek and elegant LED profile designed for illuminating various surfaces such as walls, furniture, and shelves. Its minimalist design allows for a seamless and stylish lighting solution that blends harmoniously with any interior. The profile is made of high-quality aluminum, providing durability and an aesthetically finished appearance. The product features a special diffuser system that ensures uniform light distribution and provides moisture protection. This makes the profile suitable for demanding environments, such as kitchens and bathrooms. Thanks to its smart mounting system, installation is quick and easy, allowing for a professional result with minimal effort.



Scale 1:2



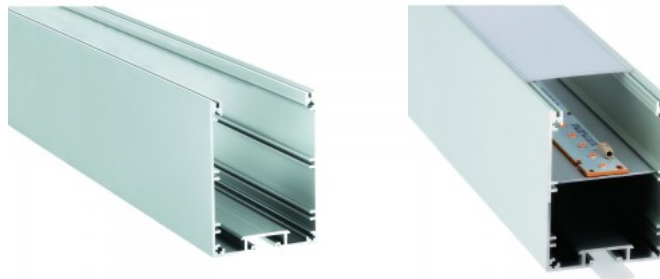
Scale 1:1



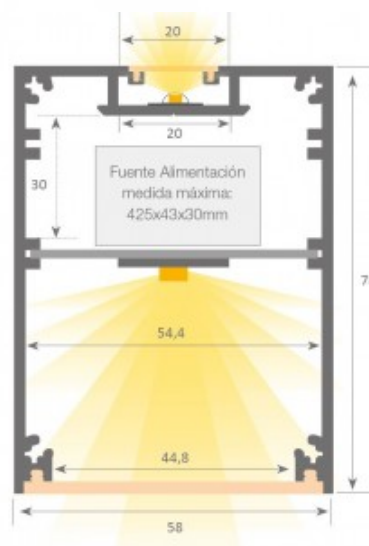
Aluminium profile LUZ NEGRA MUNICH 2m black

Product code 16139

Brand [LUZ NEGRA](#)
 Height 78.0mm
 Width 58.0mm
 Length 2000.0mm
 Casing colour black



Aluminum profile is a practical method for installing an LED strip effectively. With an aluminum profile, there is no risk of the LED strip shifting out of place, and the profile cover maintains uniform and cozy light distribution. The profile is durable yet lightweight, ensuring a long lifespan and stability. Installing a surface-mounted aluminum profile is very easy. An aluminum profile is ideal for use in many different rooms. In the kitchen, a high-power LED strip with an aluminum profile works well above the work surface. In the living room, this combination can create cozy accent lighting. High IP-rated products are perfect for bathrooms, and in retail, LED strips with aluminum profiles are ideal for highlighting products! Trust your lighting project to the experienced team of LED House - [let's bring your vision to life!](#)



Aluminium profile LUZ NEGRA MUNICH 2m silver

Product code 15081

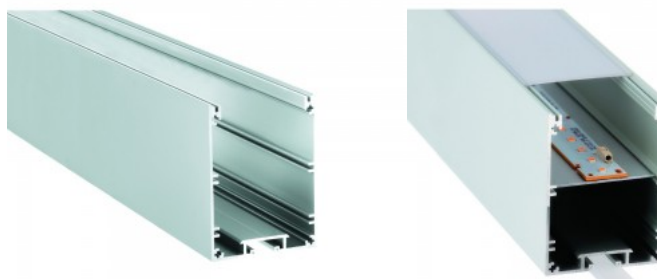
Brand [LUZ NEGRA](#)

Height 78.0mm

Width 58.0mm

Length 2000.0mm

Casing colour silver



Aluminum profile is a practical method for installing an LED strip effectively. With an aluminum profile, there is no risk of the LED strip shifting out of place, and the profile cover maintains uniform and cozy light distribution. The profile is durable yet lightweight, ensuring a long lifespan and stability. Installing a surface-mounted aluminum profile is very easy. An aluminum profile is ideal for use in many different rooms. In the kitchen, a high-power LED strip with an aluminum profile works well above the work surface. In the living room, this combination can create cozy accent lighting. High IP-rated products are perfect for bathrooms, and in retail, LED strips with aluminum profiles are ideal for highlighting products! Trust your lighting project to the experienced team of LED House - [let's bring your vision to life!](#)



Aluminium profile LUZ NEGRA munich slim 2m silver

Product code 15007

Brand [LUZ NEGRA](#)

Height 70.0mm

Width 38.0mm

Length 2000.0mm

Casing colour silver

Aluminum profile is a practical method for installing an LED strip effectively. With an aluminum profile, there is no risk of the LED strip shifting out of place, and the profile cover maintains uniform and cozy light distribution. The profile is durable yet lightweight, ensuring a long lifespan and stability. Installing a surface-mounted aluminum profile is very easy. An aluminum profile is ideal for use in many different rooms. In the kitchen, a high-power LED strip with an aluminum profile works well above the work surface. In the living room, this combination can create cozy accent lighting. High IP-rated products are perfect for bathrooms, and in retail, LED strips with aluminum profiles are ideal for highlighting products! Trust your lighting project to the experienced team of LED House - [let's bring your vision to life!](#)

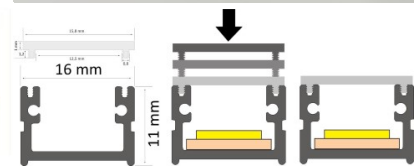
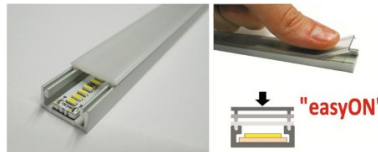
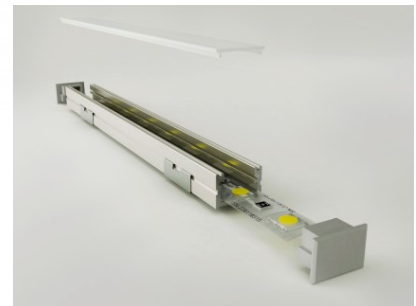


Aluminium profile LUZ NEGRA Roma 2m silver

Product code 13337

Brand [LUZ NEGRA](#)
 Height 11.0mm
 Width 16.0mm
 Casing colour silver
 Casing material aluminium
 Polishing matt

Aluminum profile is a practical method for installing an LED strip effectively. With an aluminum profile, there is no risk of the LED strip shifting out of place, and the profile cover maintains uniform and cozy light distribution. The profile is durable yet lightweight, ensuring a long lifespan and stability. Installing a surface-mounted aluminum profile is very easy. An aluminum profile is ideal for use in many different rooms. In the kitchen, a high-power LED strip with an aluminum profile works well above the work surface. In the living room, this combination can create cozy accent lighting. High IP-rated products are perfect for bathrooms, and in retail, LED strips with aluminum profiles are ideal for highlighting products! Trust your lighting project to the experienced team of LED House - [let's bring your vision to life!](#)

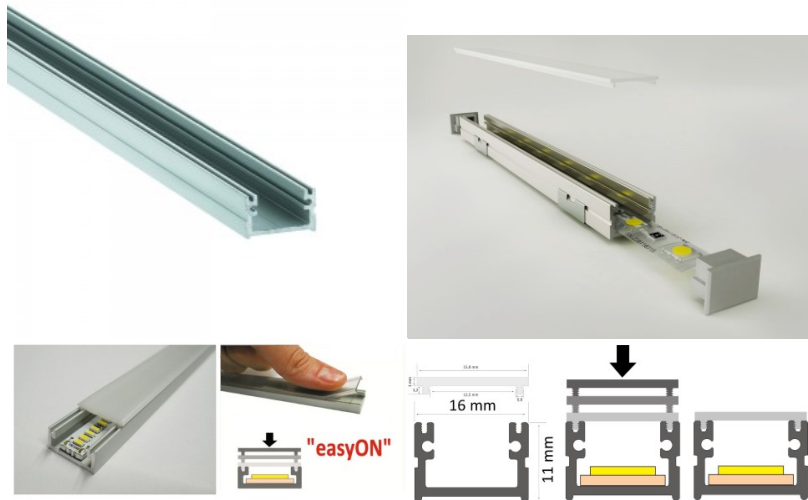


Aluminium profile LUZ NEGRA Roma 3m silver

Product code 15390

Brand [LUZ NEGRA](#)
 Height 11.0mm
 Width 16.0mm
 Length 3000.0mm
 Casing colour silver
 Casing material aluminium
 Polishing matt

Aluminum profile is a practical method for installing an LED strip effectively. With an aluminum profile, there is no risk of the LED strip shifting out of place, and the profile cover maintains uniform and cozy light distribution. The profile is durable yet lightweight, ensuring a long lifespan and stability. Installing a surface-mounted aluminum profile is very easy. An aluminum profile is ideal for use in many different rooms. In the kitchen, a high-power LED strip with an aluminum profile works well above the work surface. In the living room, this combination can create cozy accent lighting. High IP-rated products are perfect for bathrooms, and in retail, LED strips with aluminum profiles are ideal for highlighting products! Trust your lighting project to the experienced team of LED House - [let's bring your vision to life!](#)

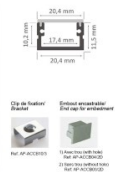


Aluminium profile LUZ NEGRA Roma XL 2m silver

Product code 13514

Brand [LUZ NEGRA](#)
 Height 11.5mm
 Width 20.4mm
 Length 2000.0mm
 Casing colour silver
 Casing material aluminium
 Polishing matt

Aluminum profile is a practical method for installing an LED strip effectively. With an aluminum profile, there is no risk of the LED strip shifting out of place, and the profile cover maintains uniform and cozy light distribution. The profile is durable yet lightweight, ensuring a long lifespan and stability. Installing a surface-mounted aluminum profile is very easy. An aluminum profile is ideal for use in many different rooms. In the kitchen, a high-power LED strip with an aluminum profile works well above the work surface. In the living room, this combination can create cozy accent lighting. High IP-rated products are perfect for bathrooms, and in retail, LED strips with aluminum profiles are ideal for highlighting products! Trust your lighting project to the experienced team of LED House - [let's bring your vision to life!](#)

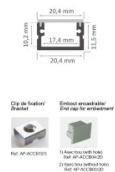
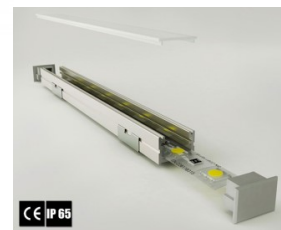


Aluminium profile LUZ NEGRA Roma XL 3m silver

Product code 15268

Brand [LUZ NEGRA](#)
 Height 11.5mm
 Width 20.4mm
 Length 3000.0mm
 Casing colour silver
 Casing material aluminium
 Polishing matt

A surface-mounted aluminum profile is a practical method for installing an LED strip effectively. With an aluminum profile, there is no risk of the LED strip shifting out of place, and the profile cover maintains uniform and cozy light distribution. The profile is durable yet lightweight, ensuring a long lifespan and stability. Installing a surface-mounted aluminum profile is very easy. An aluminum profile is ideal for use in many different rooms. In the kitchen, a high-power LED strip with an aluminum profile works well above the work surface. In the living room, this combination can create cozy accent lighting. High IP-rated products are perfect for bathrooms, and in retail, LED strips with aluminum profiles are ideal for highlighting products! Trust your lighting project to the experienced team of LED House - [let's bring your vision to life!](#)

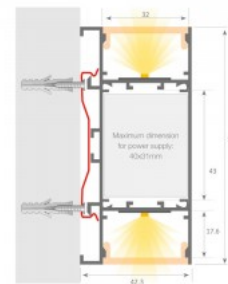


Aluminium profile LUZ NEGRA Washington 3m black

Product code 16725

Brand [LUZ NEGRA](#)
 Height 90.0mm
 Width 42.3mm
 Length 3000.0mm
 Casing colour black
 Casing material aluminium
 Polishing matt

A surface-mounted aluminum profile is a practical method for installing an LED strip effectively. With an aluminum profile, there is no risk of the LED strip shifting out of place, and the profile cover maintains uniform and cozy light distribution. The profile is durable yet lightweight, ensuring a long lifespan and stability. Installing a surface-mounted aluminum profile is very easy. An aluminum profile is ideal for use in many different rooms. In the kitchen, a high-power LED strip with an aluminum profile works well above the work surface. In the living room, this combination can create cozy accent lighting. High IP-rated products are perfect for bathrooms, and in retail, LED strips with aluminum profiles are ideal for highlighting products! Trust your lighting project to the experienced team of LED House - [let's bring your vision to life!](#)

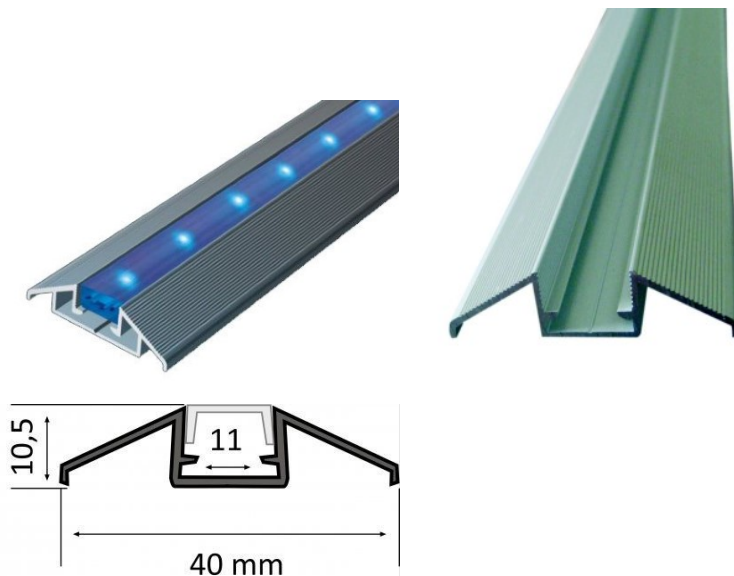


Aluminium profile LUZ NEGRA Zurich 2,4m silver

Product code 13348

Brand [LUZ NEGRA](#)
 Height 10.5mm
 Width 40.0mm
 Length 2400.0mm
 Casing colour silver
 Casing material aluminium
 Polishing matt

A surface-mounted aluminum profile is a practical method for installing an LED strip effectively. With an aluminum profile, there is no risk of the LED strip shifting out of place, and the profile cover maintains uniform and cozy light distribution. The profile is durable yet lightweight, ensuring a long lifespan and stability. Installing a surface-mounted aluminum profile is very easy. An aluminum profile is ideal for use in many different rooms. In the kitchen, a high-power LED strip with an aluminum profile works well above the work surface. In the living room, this combination can create cozy accent lighting. High IP-rated products are perfect for bathrooms, and in retail, LED strips with aluminum profiles are ideal for highlighting products! Trust your lighting project to the experienced team of LED House - [let's bring your vision to life!](#)



Aluminium profile TOPMET ARC12 1m black

Product code 18514

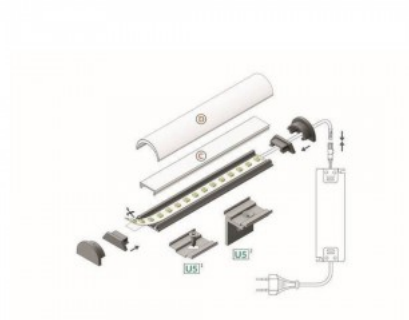
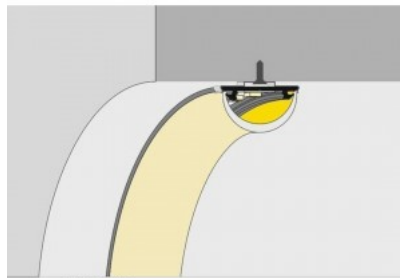
Brand [TOPMET](#)

Length 1000.0mm

Casing colour black

Casing material aluminium

A surface-mounted aluminum profile is a practical method for installing an LED strip effectively. With an aluminum profile, there is no risk of the LED strip shifting out of place, and the profile cover maintains uniform and cozy light distribution. The profile is durable yet lightweight, ensuring a long lifespan and stability. Installing a surface-mounted aluminum profile is very easy. An aluminum profile is ideal for use in many different rooms. In the kitchen, a high-power LED strip with an aluminum profile works well above the work surface. In the living room, this combination can create cozy accent lighting. High IP-rated products are perfect for bathrooms, and in retail, LED strips with aluminum profiles are ideal for highlighting products! Trust your lighting project to the experienced team of LED House - [let's bring your vision to life!](#)



ARC12 CD/US

ARC12 CD/US

Aluminium profile TOPMET ARC12 2m black

Product code 18455

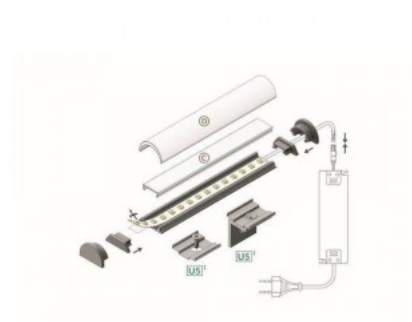
Brand [TOPMET](#)

Length 2000.0mm

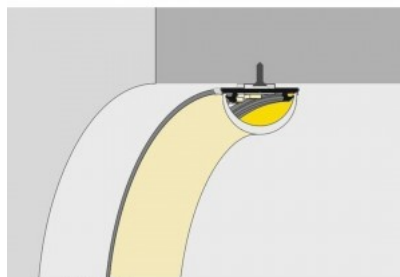
Casing colour black

Casing material aluminium

A surface-mounted aluminum profile is a practical method for installing an LED strip effectively. With an aluminum profile, there is no risk of the LED strip shifting out of place, and the profile cover maintains uniform and cozy light distribution. The profile is durable yet lightweight, ensuring a long lifespan and stability. Installing a surface-mounted aluminum profile is very easy. An aluminum profile is ideal for use in many different rooms. In the kitchen, a high-power LED strip with an aluminum profile works well above the work surface. In the living room, this combination can create cozy accent lighting. High IP-rated products are perfect for bathrooms, and in retail, LED strips with aluminum profiles are ideal for highlighting products! Trust your lighting project to the experienced team of LED House - [let's bring your vision to life!](#)



ARC12 CD/US



ARC12 CD/US

Aluminium profile TOPMET ARC12 2m non-anodized gray

Product code 18461

Brand [TOPMET](#)

Height 3.3mm

Width 20.0mm

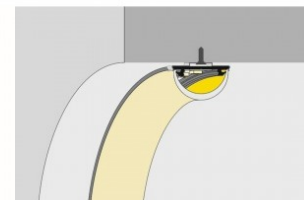
Length 2000.0mm

Casing colour gray

Casing material aluminium



ARC12 CD/US



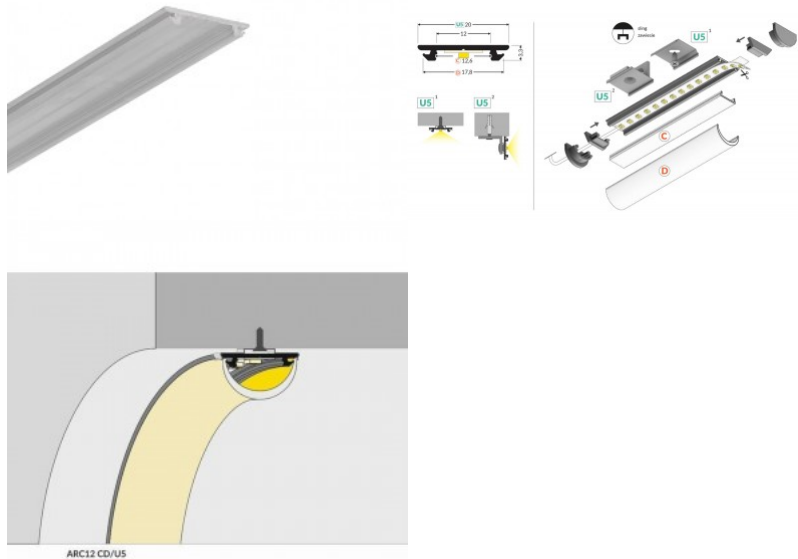
ARC12 CD/US

Aluminium profile TOPMET ARC12 CD/U5 2m

Product code 16252

Brand [TOPMET](#)
Length 2000.0mm

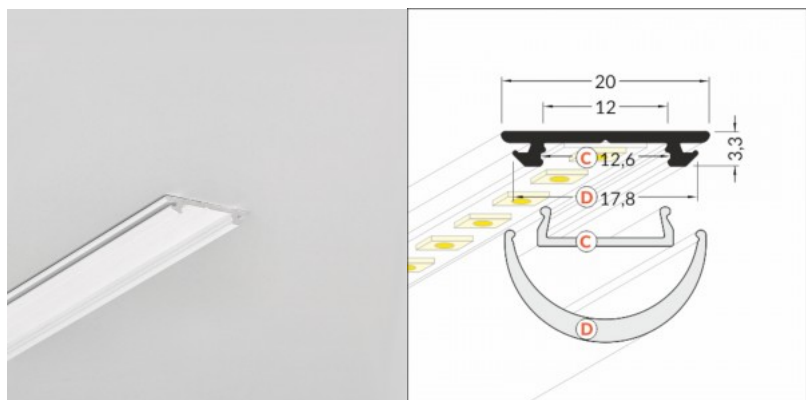
A surface-mounted aluminum profile is a practical method for installing an LED strip effectively. With an aluminum profile, there is no risk of the LED strip shifting out of place, and the profile cover maintains uniform and cozy light distribution. The profile is durable yet lightweight, ensuring a long lifespan and stability. Installing a surface-mounted aluminum profile is very easy. An aluminum profile is ideal for use in many different rooms. In the kitchen, a high-power LED strip with an aluminum profile works well above the work surface. In the living room, this combination can create cozy accent lighting. High IP-rated products are perfect for bathrooms, and in retail, LED strips with aluminum profiles are ideal for highlighting products! Trust your lighting project to the experienced team of LED House - [let's bring your vision to life!](#)



Aluminium profile TOPMET ARC12 CD/U5 2m white

Product code 20658

Brand [TOPMET](#)
Casing colour white
Casing material aluminium



Aluminium profile TOPMET ARC12 CD/U5 3m

Product code 17872

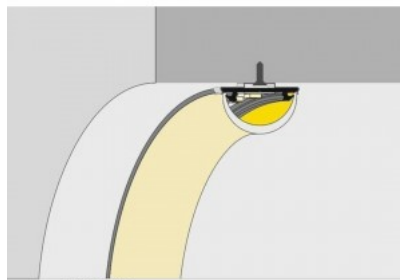
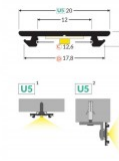
Brand [TOPMET](#)

Width 20.0mm

Length 3000.0mm

Casing material aluminium

A surface-mounted aluminum profile is a practical method for installing an LED strip effectively. With an aluminum profile, there is no risk of the LED strip shifting out of place, and the profile cover maintains uniform and cozy light distribution. The profile is durable yet lightweight, ensuring a long lifespan and stability. Installing a surface-mounted aluminum profile is very easy. An aluminum profile is ideal for use in many different rooms. In the kitchen, a high-power LED strip with an aluminum profile works well above the work surface. In the living room, this combination can create cozy accent lighting. High IP-rated products are perfect for bathrooms, and in retail, LED strips with aluminum profiles are ideal for highlighting products! Trust your lighting project to the experienced team of LED House - [let's bring your vision to life!](#)



ARC12 CD/U5

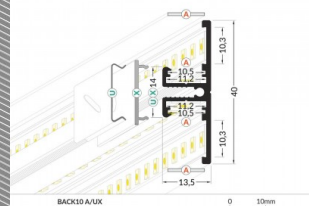
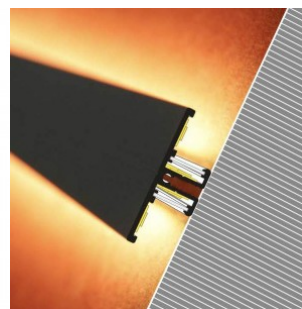
Aluminium profile TOPMET BACK10 A/UX 2m black

Product code 15753

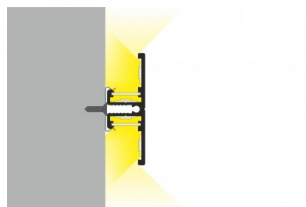
Brand [TOPMET](#)

Casing colour black

Casing material aluminium



BACK10 A/UX

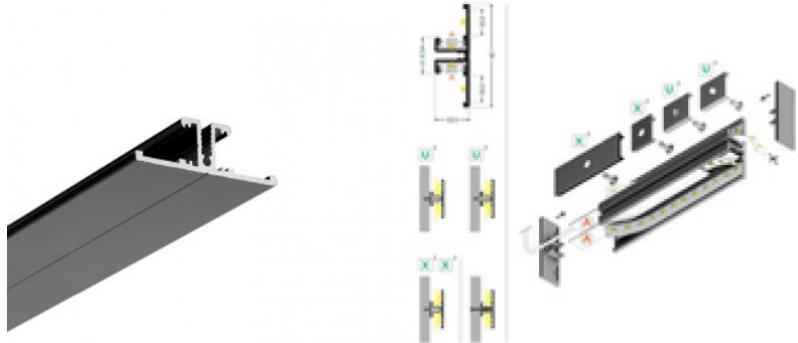


BACK10 A/UX

Aluminium profile TOPMET BACK10 A/UX 3m black

Product code 15759

Brand [TOPMET](#)
Casing colour black
Casing material aluminium

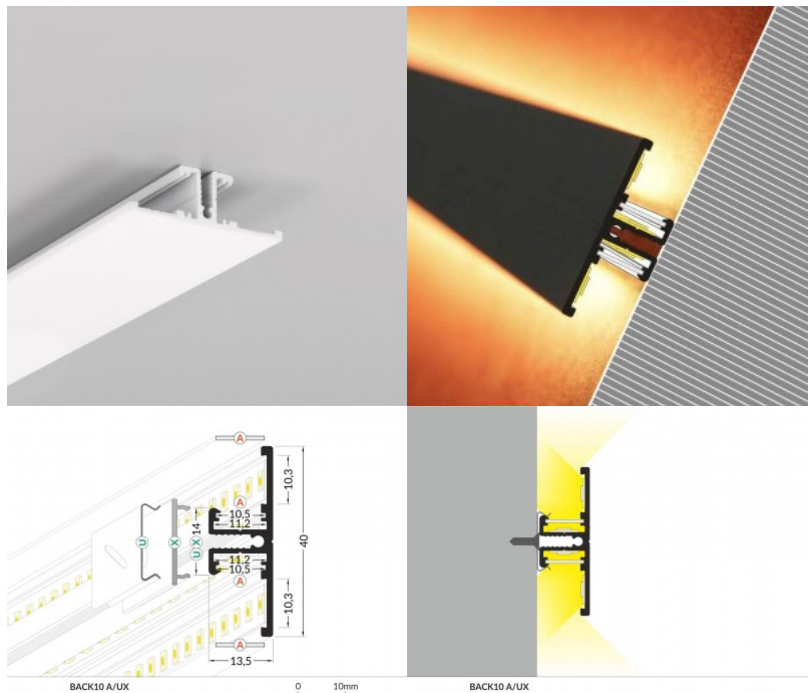


Aluminium profile TOPMET BACK10 A/UX 3m white

Product code 15757

Brand [TOPMET](#)
Casing colour white
Casing material aluminium

A surface-mounted aluminum profile is a practical method for installing an LED strip effectively. With an aluminum profile, there is no risk of the LED strip shifting out of place, and the profile cover maintains uniform and cozy light distribution. The profile is durable yet lightweight, ensuring a long lifespan and stability. Installing a surface-mounted aluminum profile is very easy. An aluminum profile is ideal for use in many different rooms. In the kitchen, a high-power LED strip with an aluminum profile works well above the work surface. In the living room, this combination can create cozy accent lighting. High IP-rated products are perfect for bathrooms, and in retail, LED strips with aluminum profiles are ideal for highlighting products! Trust your lighting project to the experienced team of LED House - [let's bring your vision to life!](#)



Aluminium profile TOPMET COMBO30-01 3000 black

Product code 19728

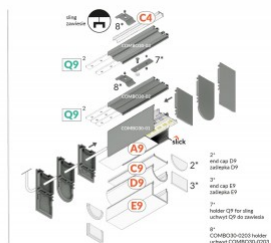
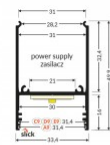
Brand [TOPMET](#)
Height 49.9mm
Width 31.0mm
Length 3000.0mm
Casing colour black
Casing material aluminium



Aluminium profile TOPMET COMBO30-01 2000 aluminum

Product code 22151

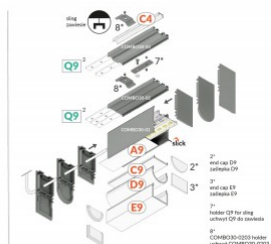
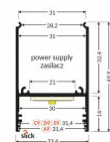
Brand [TOPMET](#)
Height 49.9mm
Width 2000.0mm
Length 31.0mm
Casing colour aluminum
Casing material aluminium



Aluminium profile TOPMET COMBO30-01 2000 black

Product code 19727

Brand [TOPMET](#)
Height 49.9mm
Width 31.0mm
Length 2000.0mm
Casing colour black
Casing material aluminium



Aluminium profile TOPMET COMBO30-01 2000 white

Product code 20468

Brand [TOPMET](#)
Height 49.9mm
Width 31.0mm
Length 2000.0mm
Casing colour white
Casing material aluminium



Aluminium profile TOPMET COMBO30-01 3000 white

Product code 20469

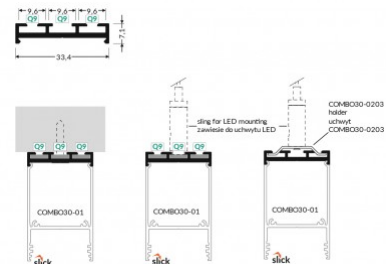
Brand [TOPMET](#)
Height 49.9mm
Width 31.0mm
Length 3000.0mm
Casing colour white
Casing material aluminium



Aluminium profile TOPMET COMBO30-02 Q9 2m aluminum

Product code 22152

Brand [TOPMET](#)
Height 7.1mm
Width 2000.0mm
Casing colour aluminum
Casing material aluminium



Aluminium profile TOPMET COMBO30-02 Q9 2m black

Product code 19731

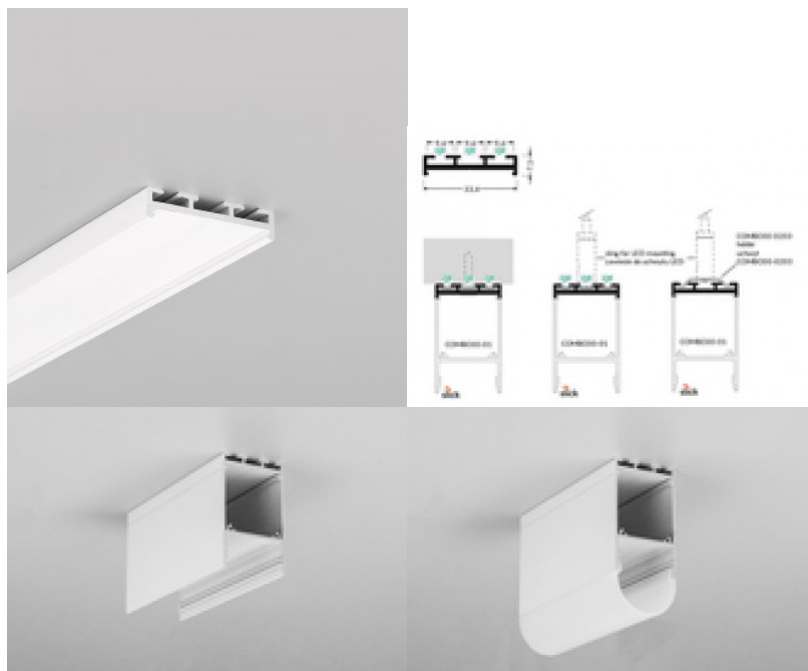
Brand [TOPMET](#)
Height 7.1mm
Width 33.4mm
Length 2000.0mm
Casing colour black
Casing material aluminium



Aluminium profile TOPMET Combo30-02 Q9 2m white

Product code 15383

Brand [TOPMET](#)
Width 2000.0mm
Casing colour white



Aluminium profile TOPMET COMBO30-02 Q9 3m black

Product code 19926

Brand [TOPMET](#)
Height 7.1mm
Width 33.4mm
Length 3000.0mm
Casing colour black
Casing material aluminium



Aluminium profile TOPMET COMBO30-03 2000 white

Product code 20470

Brand [TOPMET](#)
Height 80.0mm
Width 334.0mm
Length 2000.0mm
Casing colour white
Casing material aluminium



Aluminium profile TOPMET COMBO30-03 3000 white

Product code 20471

Brand [TOPMET](#)
Height 80.0mm
Width 334.0mm
Length 3000.0mm
Casing colour white
Casing material aluminium



Aluminium profile TOPMET FIX16 2m black

Product code 20091

Brand [TOPMET](#)
Height 3.8mm
Width 20.5mm
Length 2000.0mm
Casing colour black
Casing material aluminium



Aluminium profile TOPMET FIX16 2m white

Product code 18456

Brand [TOPMET](#)
Height 3.8mm
Width 20.5mm
Length 2000.0mm
Casing colour white
Casing material aluminium



Aluminium profile TOPMET FIX16 3m black

Product code 20090

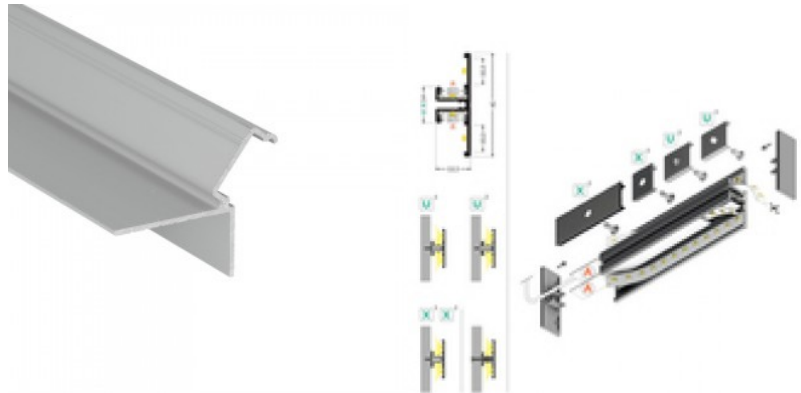
Brand [TOPMET](#)
Height 3.8mm
Width 20.5mm
Length 3000.0mm
Casing colour black
Casing material aluminium



Aluminium profile TOPMET GLOW12 silver

Product code 19684

Brand [TOPMET](#)
Casing colour silver
Casing material aluminium



Aluminium profile TOPMET LINEA20 1m white

Product code 18500

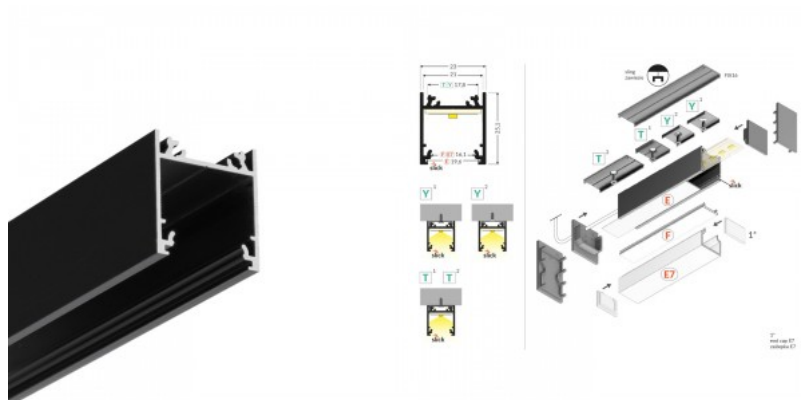
Brand [TOPMET](#)
Height 25.1mm
Width 23.0mm
Length 1000.0mm
Casing colour white
Casing material aluminium



Aluminium profile TOPMET LINEA20 2m black

Product code 18463

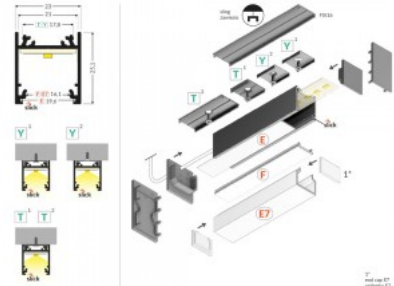
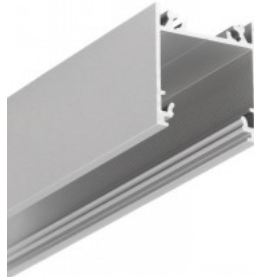
Brand [TOPMET](#)
Height 25.1mm
Width 23.0mm
Length 2000.0mm
Casing colour black
Casing material aluminium



Aluminium profile TOPMET LINEA20 2m gray

Product code 18452

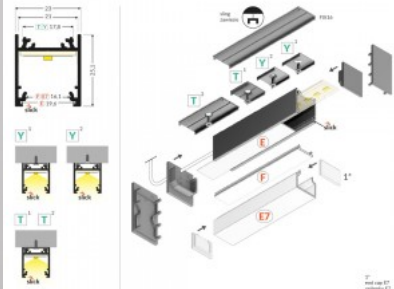
Brand [TOPMET](#)
Height 25.1mm
Width 23.0mm
Length 2000.0mm
Casing colour gray
Casing material aluminium



Aluminium profile TOPMET LINEA20 2m white

Product code 18421

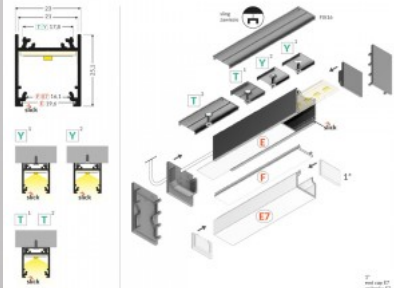
Brand [TOPMET](#)
Height 25.1mm
Width 23.0mm
Length 2000.0mm
Casing colour white
Casing material aluminium



Aluminium profile TOPMET LINEA20 3m white

Product code 18478

Brand [TOPMET](#)
Height 25.1mm
Width 23.0mm
Length 3000.0mm
Casing colour white
Casing material aluminium

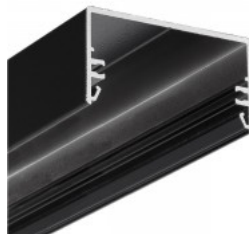


Aluminium profile TOPMET LOWI 2m black

Product code 17086

Brand [TOPMET](#)
 Height 28.0mm
 Width 53.0mm
 Length 2000.0mm
 In box 15pcs
 Casing colour black
 Casing material aluminium

A surface-mounted aluminum profile is a practical method for installing an LED strip effectively. With an aluminum profile, there is no risk of the LED strip shifting out of place, and the profile cover maintains uniform and cozy light distribution. The profile is durable yet lightweight, ensuring a long lifespan and stability. Installing a surface-mounted aluminum profile is very easy. An aluminum profile is ideal for use in many different rooms. In the kitchen, a high-power LED strip with an aluminum profile works well above the work surface. In the living room, this combination can create cozy accent lighting. High IP-rated products are perfect for bathrooms, and in retail, LED strips with aluminum profiles are ideal for highlighting products! Trust your lighting project to the experienced team of LED House - [let's bring your vision to life!](#)



Aluminium profile TOPMET NAMI23 1m non-anodized

Product code 18501

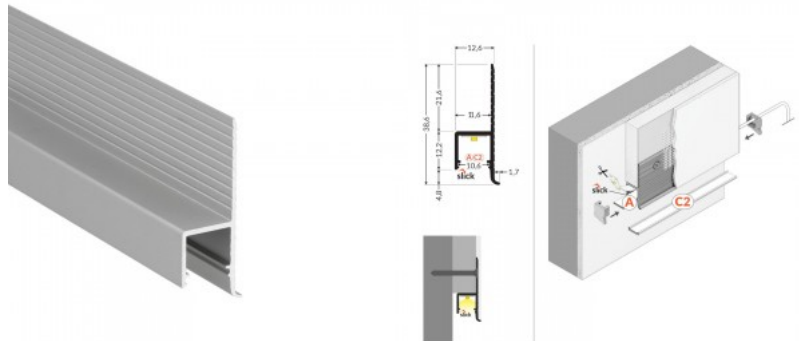
Brand [TOPMET](#)
 Height 59.5mm
 Width 37.0mm
 Length 1000.0mm
 Casing material aluminium



Aluminium profile TOPMET Omni10 AC2 silver

Product code 20711

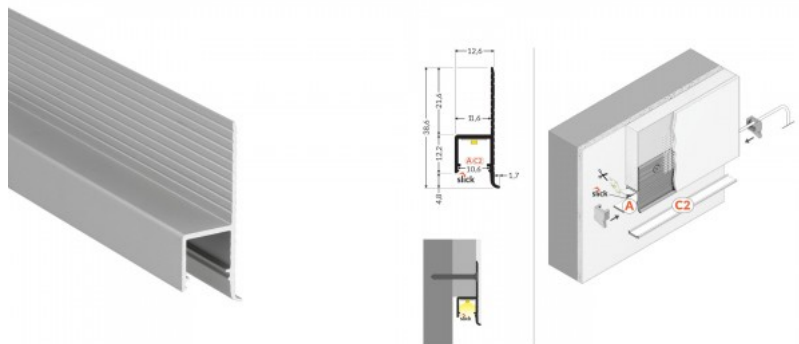
Brand [TOPMET](#)
Length 2000.0mm
Casing colour silver
Casing material plastic



Aluminium profile TOPMET Omni10 AC2 silver

Product code 20712

Brand [TOPMET](#)
Length 1000.0mm
Casing colour silver
Casing material plastic



Aluminium profile TOPMET OVAL20 2m

Product code 18448

Brand [TOPMET](#)
Height 29.5mm
Width 28.0mm
Length 2000.0mm
Casing material aluminium



Aluminium profile TOPMET OVAL20 3m gray

Product code 18481

Brand [TOPMET](#)
Length 3000.0mm
Casing colour gray
Casing material aluminium



Aluminium profile TOPMET Pen12 3m black

Product code 18482

Brand [TOPMET](#)
Height 17.0mm
Width 20.0mm
Length 3000.0mm
Casing colour black
Casing material aluminium



Aluminium profile TOPMET PEN8 2m gray

Product code 18432

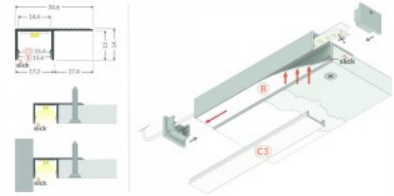
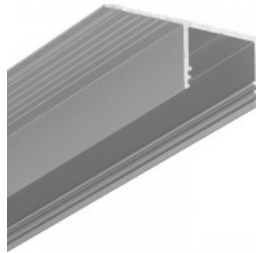
Brand [TOPMET](#)
Height 9.7mm
Width 13.0mm
Length 2000.0mm
Casing colour gray
Casing material aluminium



Aluminium profile TOPMET PLANE14 SIDE BC3 gray

Product code 20107

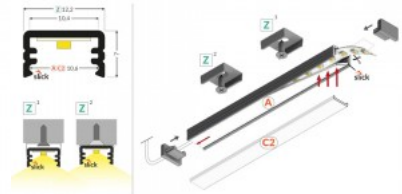
Brand [TOPMET](#)
 Height 14.0mm
 Width 34.6mm
 Length 2000.0mm
 Casing colour gray
 Casing material aluminium



Aluminium profile TOPMET Slim8 2m black

Product code 18450

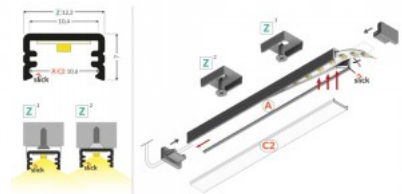
Brand [TOPMET](#)
 Height 7.0mm
 Width 12.2mm
 Length 2000.0mm
 Casing colour black
 Casing material aluminium



Aluminium profile TOPMET Slim8 2m gray

Product code 18523

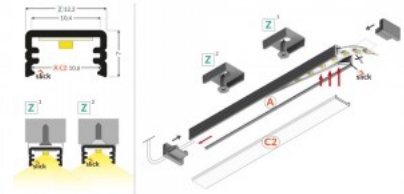
Brand [TOPMET](#)
 Height 7.0mm
 Width 12.2mm
 Length 2000.0mm
 Casing colour gray
 Casing material aluminium



Aluminium profile TOPMET Slim8 2m non-anodized aluminum

Product code 20093

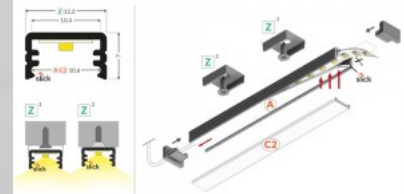
Brand [TOPMET](#)
Height 7.0mm
Width 12.2mm
Length 2000.0mm
Casing colour aluminum
Casing material aluminium



Aluminium profile TOPMET Slim8 2m white

Product code 18451

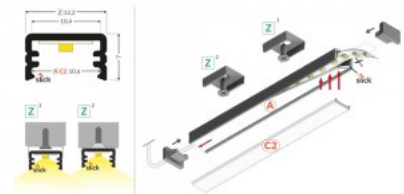
Brand [TOPMET](#)
Length 2000.0mm
Casing colour white
Casing material aluminium



Aluminium profile TOPMET Slim8 3m gray

Product code 18476

Brand [TOPMET](#)
Height 7.0mm
Width 12.2mm
Length 3000.0mm
Casing colour gray
Casing material aluminium



Aluminium profile TOPMET SMART10 1m gray

Product code 18526

Brand [TOPMET](#)

Height 12.0mm

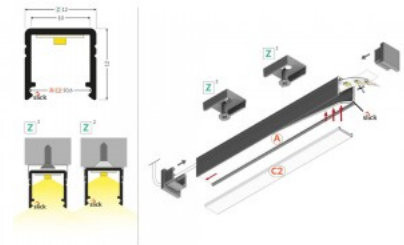
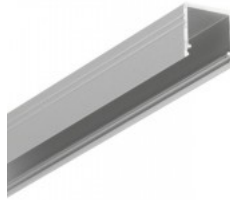
Width 12.0mm

Length 1000.0mm

Casing colour gray

Casing material aluminium

A surface-mounted aluminum profile is a practical method for installing an LED strip effectively. With an aluminum profile, there is no risk of the LED strip shifting out of place, and the profile cover maintains uniform and cozy light distribution. The profile is durable yet lightweight, ensuring a long lifespan and stability. Installing a surface-mounted aluminum profile is very easy. An aluminum profile is ideal for use in many different rooms. In the kitchen, a high-power LED strip with an aluminum profile works well above the work surface. In the living room, this combination can create cozy accent lighting. High IP-rated products are perfect for bathrooms, and in retail, LED strips with aluminum profiles are ideal for highlighting products! Trust your lighting project to the experienced team of LED House - [let's bring your vision to life!](#)

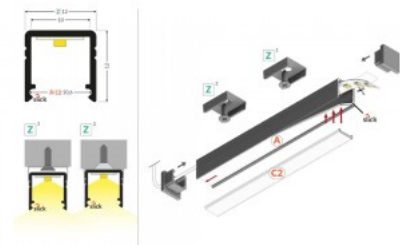
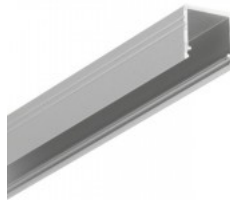


Aluminium profile TOPMET Smart10 1m non-anodized gray

Product code 18512

Brand [TOPMET](#)
 Height 12.0mm
 Width 12.0mm
 Length 1000.0mm
 Casing colour gray
 Casing material aluminium

A surface-mounted aluminum profile is a practical method for installing an LED strip effectively. With an aluminum profile, there is no risk of the LED strip shifting out of place, and the profile cover maintains uniform and cozy light distribution. The profile is durable yet lightweight, ensuring a long lifespan and stability. Installing a surface-mounted aluminum profile is very easy. An aluminum profile is ideal for use in many different rooms. In the kitchen, a high-power LED strip with an aluminum profile works well above the work surface. In the living room, this combination can create cozy accent lighting. High IP-rated products are perfect for bathrooms, and in retail, LED strips with aluminum profiles are ideal for highlighting products! Trust your lighting project to the experienced team of LED House - [let's bring your vision to life!](#)

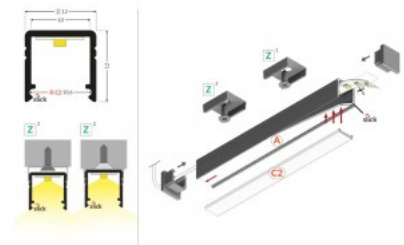


Aluminium profile TOPMET Smart10 2m black

Product code 18429

Brand [TOPMET](#)
 Height 12.0mm
 Width 12.0mm
 Length 2000.0mm
 Casing colour black
 Casing material aluminium

A surface-mounted aluminum profile is a practical method for installing an LED strip effectively. With an aluminum profile, there is no risk of the LED strip shifting out of place, and the profile cover maintains uniform and cozy light distribution. The profile is durable yet lightweight, ensuring a long lifespan and stability. Installing a surface-mounted aluminum profile is very easy. An aluminum profile is ideal for use in many different rooms. In the kitchen, a high-power LED strip with an aluminum profile works well above the work surface. In the living room, this combination can create cozy accent lighting. High IP-rated products are perfect for bathrooms, and in retail, LED strips with aluminum profiles are ideal for highlighting products! Trust your lighting project to the experienced team of LED House - [let's bring your vision to life!](#)

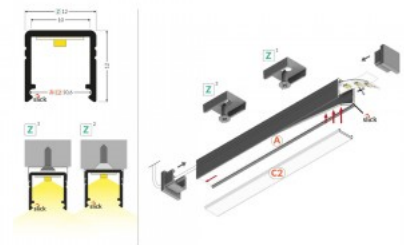
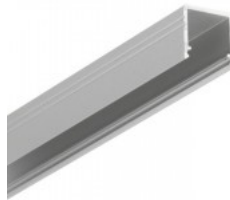


Aluminium profile TOPMET SMART10 2m gray

Product code 18473

Brand [TOPMET](#)
 Height 12.0mm
 Width 12.0mm
 Length 2000.0mm
 Casing colour gray
 Casing material aluminium

A surface-mounted aluminum profile is a practical method for installing an LED strip effectively. With an aluminum profile, there is no risk of the LED strip shifting out of place, and the profile cover maintains uniform and cozy light distribution. The profile is durable yet lightweight, ensuring a long lifespan and stability. Installing a surface-mounted aluminum profile is very easy. An aluminum profile is ideal for use in many different rooms. In the kitchen, a high-power LED strip with an aluminum profile works well above the work surface. In the living room, this combination can create cozy accent lighting. High IP-rated products are perfect for bathrooms, and in retail, LED strips with aluminum profiles are ideal for highlighting products! Trust your lighting project to the experienced team of LED House - [let's bring your vision to life!](#)



Aluminium profile TOPMET Smart10 2m non-anodized gray

Product code 18472

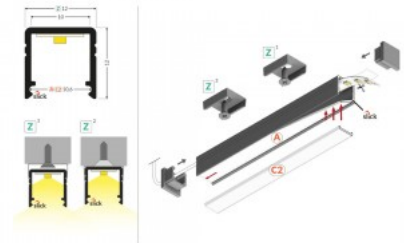
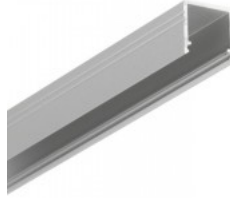
Brand [TOPMET](#)

Length 2000.0mm

Casing colour gray

Casing material aluminium

A surface-mounted aluminum profile is a practical method for installing an LED strip effectively. With an aluminum profile, there is no risk of the LED strip shifting out of place, and the profile cover maintains uniform and cozy light distribution. The profile is durable yet lightweight, ensuring a long lifespan and stability. Installing a surface-mounted aluminum profile is very easy. An aluminum profile is ideal for use in many different rooms. In the kitchen, a high-power LED strip with an aluminum profile works well above the work surface. In the living room, this combination can create cozy accent lighting. High IP-rated products are perfect for bathrooms, and in retail, LED strips with aluminum profiles are ideal for highlighting products! Trust your lighting project to the experienced team of LED House - [let's bring your vision to life!](#)

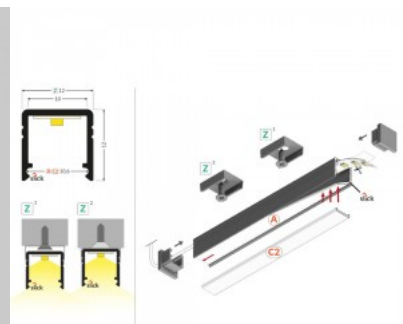


Aluminium profile TOPMET Smart10 2m white

Product code 18427

Brand [TOPMET](#)
 Height 12.0mm
 Width 12.0mm
 Length 2000.0mm
 Casing colour white
 Casing material aluminium

A surface-mounted aluminum profile is a practical method for installing an LED strip effectively. With an aluminum profile, there is no risk of the LED strip shifting out of place, and the profile cover maintains uniform and cozy light distribution. The profile is durable yet lightweight, ensuring a long lifespan and stability. Installing a surface-mounted aluminum profile is very easy. An aluminum profile is ideal for use in many different rooms. In the kitchen, a high-power LED strip with an aluminum profile works well above the work surface. In the living room, this combination can create cozy accent lighting. High IP-rated products are perfect for bathrooms, and in retail, LED strips with aluminum profiles are ideal for highlighting products! Trust your lighting project to the experienced team of LED House - [let's bring your vision to life!](#)

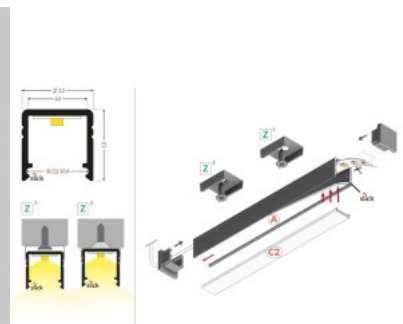


Aluminium profile TOPMET Smart10 3m white

Product code 18477

Brand [TOPMET](#)
 Height 12.0mm
 Width 12.0mm
 Length 3000.0mm
 Casing colour white
 Casing material aluminium

A surface-mounted aluminum profile is a practical method for installing an LED strip effectively. With an aluminum profile, there is no risk of the LED strip shifting out of place, and the profile cover maintains uniform and cozy light distribution. The profile is durable yet lightweight, ensuring a long lifespan and stability. Installing a surface-mounted aluminum profile is very easy. An aluminum profile is ideal for use in many different rooms. In the kitchen, a high-power LED strip with an aluminum profile works well above the work surface. In the living room, this combination can create cozy accent lighting. High IP-rated products are perfect for bathrooms, and in retail, LED strips with aluminum profiles are ideal for highlighting products! Trust your lighting project to the experienced team of LED House - [let's bring your vision to life!](#)



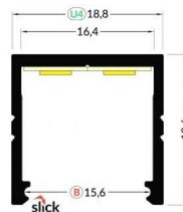
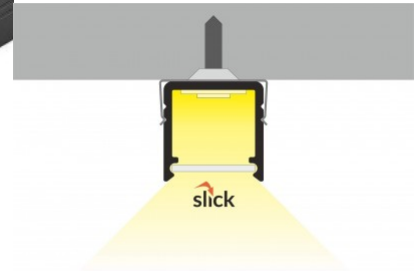
Aluminium profile TOPMET SMART16 B/U4 2m black

Product code 15533

Brand [TOPMET](#)

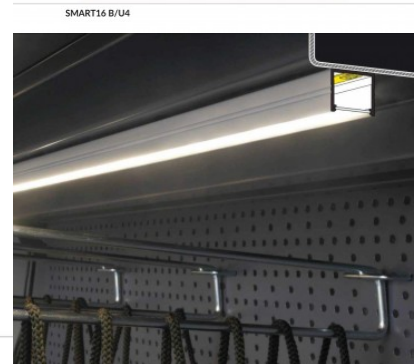
Casing colour black

A surface-mounted aluminum profile is a practical method for installing an LED strip effectively. With an aluminum profile, there is no risk of the LED strip shifting out of place, and the profile cover maintains uniform and cozy light distribution. The profile is durable yet lightweight, ensuring a long lifespan and stability. Installing a surface-mounted aluminum profile is very easy. An aluminum profile is ideal for use in many different rooms. In the kitchen, a high-power LED strip with an aluminum profile works well above the work surface. In the living room, this combination can create cozy accent lighting. High IP-rated products are perfect for bathrooms, and in retail, LED strips with aluminum profiles are ideal for highlighting products! Trust your lighting project to the experienced team of LED House - [let's bring your vision to life!](#)



SMART16 B/U4

0 10mm



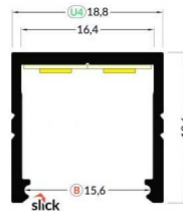
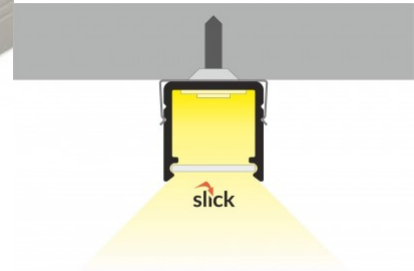
Aluminium profile TOPMET SMART16 B/U4 2m gray

Product code 15515

Brand [TOPMET](#)

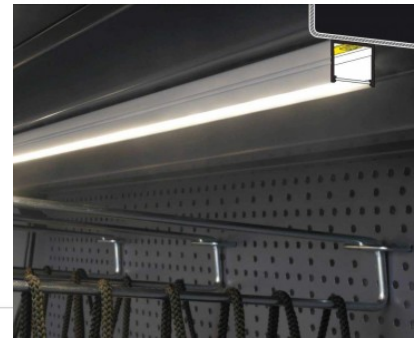
Casing colour gray

A surface-mounted aluminum profile is a practical method for installing an LED strip effectively. With an aluminum profile, there is no risk of the LED strip shifting out of place, and the profile cover maintains uniform and cozy light distribution. The profile is durable yet lightweight, ensuring a long lifespan and stability. Installing a surface-mounted aluminum profile is very easy. An aluminum profile is ideal for use in many different rooms. In the kitchen, a high-power LED strip with an aluminum profile works well above the work surface. In the living room, this combination can create cozy accent lighting. High IP-rated products are perfect for bathrooms, and in retail, LED strips with aluminum profiles are ideal for highlighting products! Trust your lighting project to the experienced team of LED House - [let's bring your vision to life!](#)



SMART16 B/U4

0 10mm

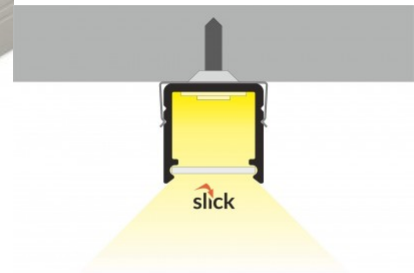


Aluminium profile TOPMET SMART16 B/U4 2m non-anodized

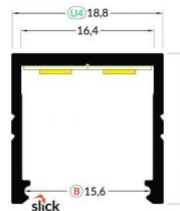
Product code 20097

Brand [TOPMET](#)
Height 18.6mm
Width 18.8mm
Length 2000.0mm

A surface-mounted aluminum profile is a practical method for installing an LED strip effectively. With an aluminum profile, there is no risk of the LED strip shifting out of place, and the profile cover maintains uniform and cozy light distribution. The profile is durable yet lightweight, ensuring a long lifespan and stability. Installing a surface-mounted aluminum profile is very easy. An aluminum profile is ideal for use in many different rooms. In the kitchen, a high-power LED strip with an aluminum profile works well above the work surface. In the living room, this combination can create cozy accent lighting. High IP-rated products are perfect for bathrooms, and in retail, LED strips with aluminum profiles are ideal for highlighting products! Trust your lighting project to the experienced team of LED House - [let's bring your vision to life!](#)

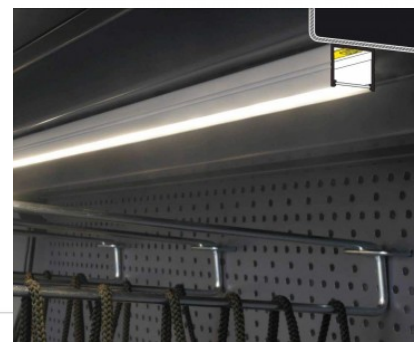


SMART16 B/U4



SMART16 B/U4

0 10mm



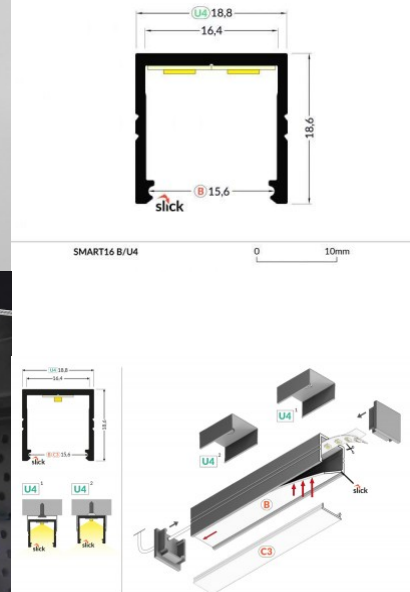
Aluminium profile TOPMET SMART16 B/U4 2m white

Product code 16280

Brand [TOPMET](#)

Casing colour white

A surface-mounted aluminum profile is a practical method for installing an LED strip effectively. With an aluminum profile, there is no risk of the LED strip shifting out of place, and the profile cover maintains uniform and cozy light distribution. The profile is durable yet lightweight, ensuring a long lifespan and stability. Installing a surface-mounted aluminum profile is very easy. An aluminum profile is ideal for use in many different rooms. In the kitchen, a high-power LED strip with an aluminum profile works well above the work surface. In the living room, this combination can create cozy accent lighting. High IP-rated products are perfect for bathrooms, and in retail, LED strips with aluminum profiles are ideal for highlighting products! Trust your lighting project to the experienced team of LED House - [let's bring your vision to life!](#)



Aluminium profile TOPMET SMART16 B/U4 3m black

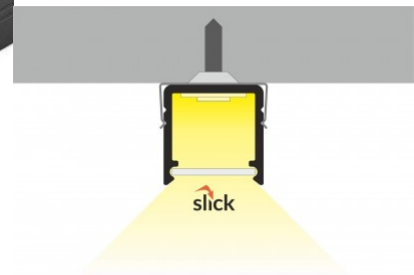
Product code 15498

Brand [TOPMET](#)

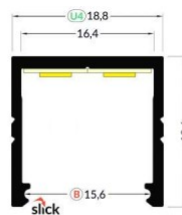
Length 3000.0mm

Casing colour black

A surface-mounted aluminum profile is a practical method for installing an LED strip effectively. With an aluminum profile, there is no risk of the LED strip shifting out of place, and the profile cover maintains uniform and cozy light distribution. The profile is durable yet lightweight, ensuring a long lifespan and stability. Installing a surface-mounted aluminum profile is very easy. An aluminum profile is ideal for use in many different rooms. In the kitchen, a high-power LED strip with an aluminum profile works well above the work surface. In the living room, this combination can create cozy accent lighting. High IP-rated products are perfect for bathrooms, and in retail, LED strips with aluminum profiles are ideal for highlighting products! Trust your lighting project to the experienced team of LED House - [let's bring your vision to life!](#)

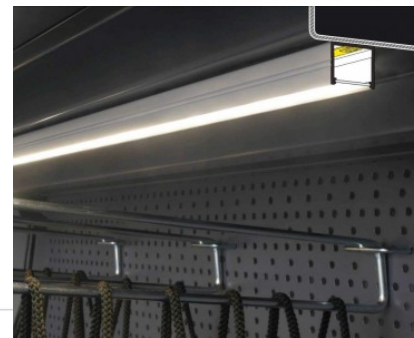


SMART16 B/U4



SMART16 B/U4

0 10mm

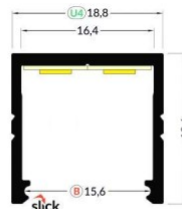
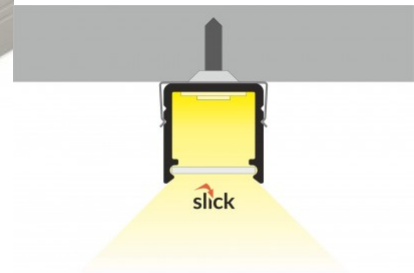


Aluminium profile TOPMET SMART16 B/U4 3m gray

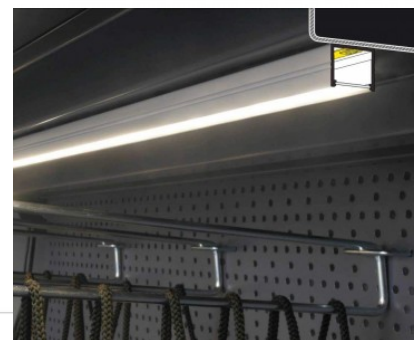
Product code 18480

Brand [TOPMET](#)
 Length 3000.0mm
 Casing colour gray
 Casing material aluminium

A surface-mounted aluminum profile is a practical method for installing an LED strip effectively. With an aluminum profile, there is no risk of the LED strip shifting out of place, and the profile cover maintains uniform and cozy light distribution. The profile is durable yet lightweight, ensuring a long lifespan and stability. Installing a surface-mounted aluminum profile is very easy. An aluminum profile is ideal for use in many different rooms. In the kitchen, a high-power LED strip with an aluminum profile works well above the work surface. In the living room, this combination can create cozy accent lighting. High IP-rated products are perfect for bathrooms, and in retail, LED strips with aluminum profiles are ideal for highlighting products! Trust your lighting project to the experienced team of LED House - [let's bring your vision to life!](#)



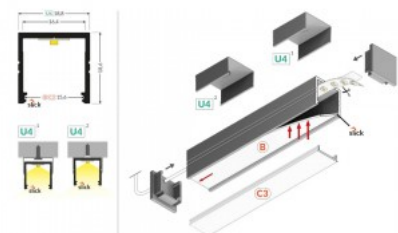
SMART16 B/U4 0 10mm



Aluminium profile TOPMET Smart16 BC3/UN white

Product code 20717

Brand [TOPMET](#)
 Length 1000.0mm
 Casing colour white
 Casing material plastic



Aluminium profile TOPMET SURFACE10 1m gray

Product code 18529

Brand [TOPMET](#)
 Height 8.0mm
 Width 20.0mm
 Length 1000.0mm
 Casing colour gray
 Casing material aluminium

A surface-mounted aluminum profile is a practical method for installing an LED strip effectively. With an aluminum profile, there is no risk of the LED strip shifting out of place, and the profile cover maintains uniform and cozy light distribution. The profile is durable yet lightweight, ensuring a long lifespan and stability. Installing a surface-mounted aluminum profile is very easy. An aluminum profile is ideal for use in many different rooms. In the kitchen, a high-power LED strip with an aluminum profile works well above the work surface. In the living room, this combination can create cozy accent lighting. High IP-rated products are perfect for bathrooms, and in retail, LED strips with aluminum profiles are ideal for highlighting products! Trust your lighting project to the experienced team of LED House - [let's bring your vision to life!](#)



Aluminium profile TOPMET SURFACE10 1m non-anodized gray

Product code 18499

Brand [TOPMET](#)

Height 8.0mm

Width 20.0mm

Length 1000.0mm

Casing colour gray

Casing material aluminium

A surface-mounted aluminum profile is a practical method for installing an LED strip effectively. With an aluminum profile, there is no risk of the LED strip shifting out of place, and the profile cover maintains uniform and cozy light distribution. The profile is durable yet lightweight, ensuring a long lifespan and stability. Installing a surface-mounted aluminum profile is very easy. An aluminum profile is ideal for use in many different rooms. In the kitchen, a high-power LED strip with an aluminum profile works well above the work surface. In the living room, this combination can create cozy accent lighting. High IP-rated products are perfect for bathrooms, and in retail, LED strips with aluminum profiles are ideal for highlighting products! Trust your lighting project to the experienced team of LED House - [let's bring your vision to life!](#)



Aluminium profile TOPMET SURFACE10 2m black

Product code 18457

Brand [TOPMET](#)

Height 8.0mm

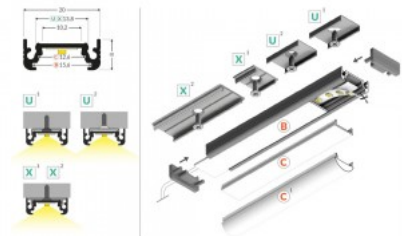
Width 20.0mm

Length 2000.0mm

Casing colour black

Casing material aluminium

A surface-mounted aluminum profile is a practical method for installing an LED strip effectively. With an aluminum profile, there is no risk of the LED strip shifting out of place, and the profile cover maintains uniform and cozy light distribution. The profile is durable yet lightweight, ensuring a long lifespan and stability. Installing a surface-mounted aluminum profile is very easy. An aluminum profile is ideal for use in many different rooms. In the kitchen, a high-power LED strip with an aluminum profile works well above the work surface. In the living room, this combination can create cozy accent lighting. High IP-rated products are perfect for bathrooms, and in retail, LED strips with aluminum profiles are ideal for highlighting products! Trust your lighting project to the experienced team of LED House - [let's bring your vision to life!](#)



Aluminium profile TOPMET SURFACE10 2m gray

Product code 18418

Brand [TOPMET](#)
 Height 8.0mm
 Width 20.0mm
 Length 2000.0mm
 Casing colour gray
 Casing material aluminium

A surface-mounted aluminum profile is a practical method for installing an LED strip effectively. With an aluminum profile, there is no risk of the LED strip shifting out of place, and the profile cover maintains uniform and cozy light distribution. The profile is durable yet lightweight, ensuring a long lifespan and stability. Installing a surface-mounted aluminum profile is very easy. An aluminum profile is ideal for use in many different rooms. In the kitchen, a high-power LED strip with an aluminum profile works well above the work surface. In the living room, this combination can create cozy accent lighting. High IP-rated products are perfect for bathrooms, and in retail, LED strips with aluminum profiles are ideal for highlighting products! Trust your lighting project to the experienced team of LED House - [let's bring your vision to life!](#)



Aluminium profile TOPMET SURFACE10 2m white

Product code 18458

Brand [TOPMET](#)

Height 8.0mm

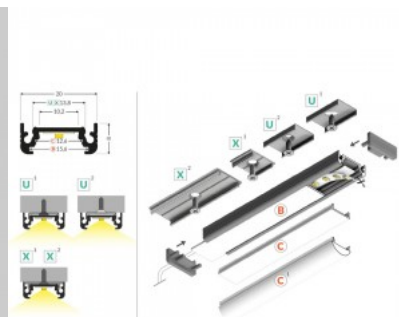
Width 20.0mm

Length 2000.0mm

Casing colour white

Casing material aluminium

A surface-mounted aluminum profile is a practical method for installing an LED strip effectively. With an aluminum profile, there is no risk of the LED strip shifting out of place, and the profile cover maintains uniform and cozy light distribution. The profile is durable yet lightweight, ensuring a long lifespan and stability. Installing a surface-mounted aluminum profile is very easy. An aluminum profile is ideal for use in many different rooms. In the kitchen, a high-power LED strip with an aluminum profile works well above the work surface. In the living room, this combination can create cozy accent lighting. High IP-rated products are perfect for bathrooms, and in retail, LED strips with aluminum profiles are ideal for highlighting products! Trust your lighting project to the experienced team of LED House - [let's bring your vision to life!](#)

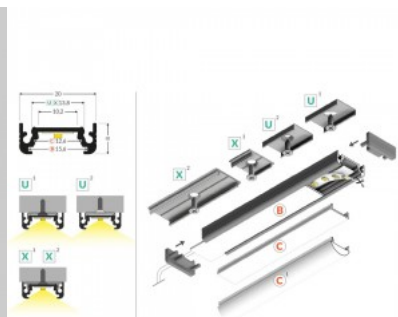


Aluminium profile TOPMET SURFACE10.v2 BC 2m white

Product code 19951

Brand [TOPMET](#)
 Height 8.0mm
 Width 20.0mm
 Length 2000.0mm
 Casing colour white
 Casing material aluminium

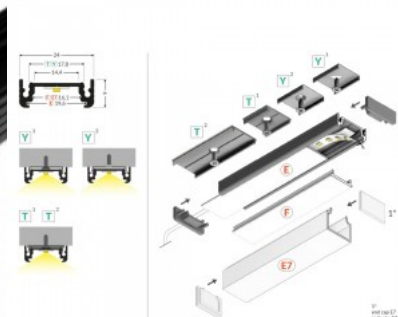
A surface-mounted aluminum profile is a practical method for installing an LED strip effectively. With an aluminum profile, there is no risk of the LED strip shifting out of place, and the profile cover maintains uniform and cozy light distribution. The profile is durable yet lightweight, ensuring a long lifespan and stability. Installing a surface-mounted aluminum profile is very easy. An aluminum profile is ideal for use in many different rooms. In the kitchen, a high-power LED strip with an aluminum profile works well above the work surface. In the living room, this combination can create cozy accent lighting. High IP-rated products are perfect for bathrooms, and in retail, LED strips with aluminum profiles are ideal for highlighting products! Trust your lighting project to the experienced team of LED House - [let's bring your vision to life!](#)



Aluminium profile TOPMET SURFACE14 2m black

Product code 20856

Brand [TOPMET](#)
 Height 9.0mm
 Width 24.0mm
 Length 3000.0mm
 Casing colour black
 Casing material aluminium



Aluminium profile TOPMET SURFACE14 2m silver

Product code 16345

Brand [TOPMET](#)

Height 9.0mm

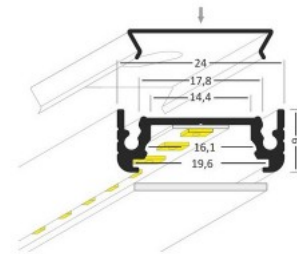
Width 24.0mm

Length 2000.0mm

Casing colour silver

Casing material aluminium

A surface-mounted aluminum profile is a practical method for installing an LED strip effectively. With an aluminum profile, there is no risk of the LED strip shifting out of place, and the profile cover maintains uniform and cozy light distribution. The profile is durable yet lightweight, ensuring a long lifespan and stability. Installing a surface-mounted aluminum profile is very easy. An aluminum profile is ideal for use in many different rooms. In the kitchen, a high-power LED strip with an aluminum profile works well above the work surface. In the living room, this combination can create cozy accent lighting. High IP-rated products are perfect for bathrooms, and in retail, LED strips with aluminum profiles are ideal for highlighting products! Trust your lighting project to the experienced team of LED House - [let's bring your vision to life!](#)



Aluminium profile TOPMET SURFACE14 2m white

Product code 16126

Brand [TOPMET](#)

Height 9.0mm

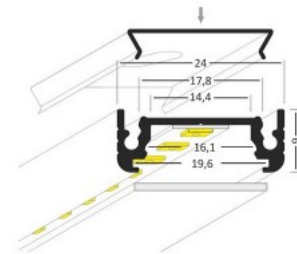
Width 24.0mm

Length 2000.0mm

Casing colour white

Casing material aluminium

A surface-mounted aluminum profile is a practical method for installing an LED strip effectively. With an aluminum profile, there is no risk of the LED strip shifting out of place, and the profile cover maintains uniform and cozy light distribution. The profile is durable yet lightweight, ensuring a long lifespan and stability. Installing a surface-mounted aluminum profile is very easy. An aluminum profile is ideal for use in many different rooms. In the kitchen, a high-power LED strip with an aluminum profile works well above the work surface. In the living room, this combination can create cozy accent lighting. High IP-rated products are perfect for bathrooms, and in retail, LED strips with aluminum profiles are ideal for highlighting products! Trust your lighting project to the experienced team of LED House - [let's bring your vision to life!](#)

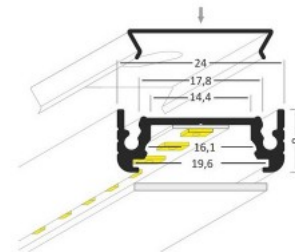


Aluminium profile TOPMET SURFACE14 3m gray

Product code 18474

Brand [TOPMET](#)
 Length 3000.0mm
 Casing colour gray
 Casing material aluminium

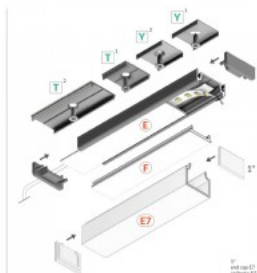
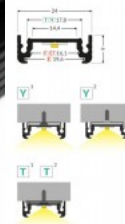
A surface-mounted aluminum profile is a practical method for installing an LED strip effectively. With an aluminum profile, there is no risk of the LED strip shifting out of place, and the profile cover maintains uniform and cozy light distribution. The profile is durable yet lightweight, ensuring a long lifespan and stability. Installing a surface-mounted aluminum profile is very easy. An aluminum profile is ideal for use in many different rooms. In the kitchen, a high-power LED strip with an aluminum profile works well above the work surface. In the living room, this combination can create cozy accent lighting. High IP-rated products are perfect for bathrooms, and in retail, LED strips with aluminum profiles are ideal for highlighting products! Trust your lighting project to the experienced team of LED House - [let's bring your vision to life!](#)



Aluminium profile TOPMET SURFACE14 black

Product code 20855

Brand [TOPMET](#)
 Height 9.0mm
 Width 24.0mm
 Length 3000.0mm
 Casing colour black
 Casing material aluminium



Aluminium profile TOPMET UNI12 BCD/U 1m white

Product code 18101

Brand [TOPMET](#)

Casing colour white

Casing material aluminium

A surface-mounted aluminum profile is a practical method for installing an LED strip effectively. With an aluminum profile, there is no risk of the LED strip shifting out of place, and the profile cover maintains uniform and cozy light distribution. The profile is durable yet lightweight, ensuring a long lifespan and stability. Installing a surface-mounted aluminum profile is very easy. An aluminum profile is ideal for use in many different rooms. In the kitchen, a high-power LED strip with an aluminum profile works well above the work surface. In the living room, this combination can create cozy accent lighting. High IP-rated products are perfect for bathrooms, and in retail, LED strips with aluminum profiles are ideal for highlighting products! Trust your lighting project to the experienced team of LED House - [let's bring your vision to life!](#)



Aluminium profile TOPMET UNI12 BCD/U 2m gray

Product code 16242

Brand [TOPMET](#)

Length 2000.0mm

Casing colour gray

Casing material aluminium

A surface-mounted aluminum profile is a practical method for installing an LED strip effectively. With an aluminum profile, there is no risk of the LED strip shifting out of place, and the profile cover maintains uniform and cozy light distribution. The profile is durable yet lightweight, ensuring a long lifespan and stability. Installing a surface-mounted aluminum profile is very easy. An aluminum profile is ideal for use in many different rooms. In the kitchen, a high-power LED strip with an aluminum profile works well above the work surface. In the living room, this combination can create cozy accent lighting. High IP-rated products are perfect for bathrooms, and in retail, LED strips with aluminum profiles are ideal for highlighting products! Trust your lighting project to the experienced team of LED House - [let's bring your vision to life!](#)



Aluminium profile TOPMET UNI12 BCD/U 3m gray

Product code 18475

Brand [TOPMET](#)
 Length 3000.0mm
 Casing colour gray
 Casing material aluminium

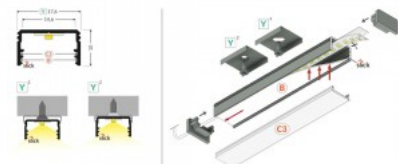
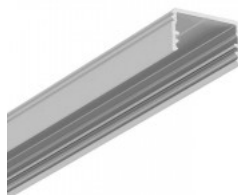
A surface-mounted aluminum profile is a practical method for installing an LED strip effectively. With an aluminum profile, there is no risk of the LED strip shifting out of place, and the profile cover maintains uniform and cozy light distribution. The profile is durable yet lightweight, ensuring a long lifespan and stability. Installing a surface-mounted aluminum profile is very easy. An aluminum profile is ideal for use in many different rooms. In the kitchen, a high-power LED strip with an aluminum profile works well above the work surface. In the living room, this combination can create cozy accent lighting. High IP-rated products are perfect for bathrooms, and in retail, LED strips with aluminum profiles are ideal for highlighting products! Trust your lighting project to the experienced team of LED House - [let's bring your vision to life!](#)



Aluminium profile TOPMET UNI14 2m gray

Product code 18488

Brand [TOPMET](#)
 Length 2000.0mm
 Casing colour gray
 Casing material aluminium



Aluminium profile TOPMET VARIO30 1m anodeerimata

Product code 18509

Brand [TOPMET](#)
Length 1000.0mm
Casing material aluminium



Aluminium profile TOPMET VARIO30 2m anodeerimata

Product code 20780

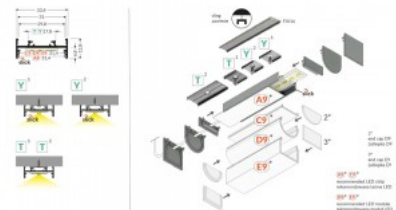
Brand [TOPMET](#)
Length 2000.0mm
Casing material aluminium



Aluminium profile TOPMET VARIO30-01 1m gray

Product code 18508

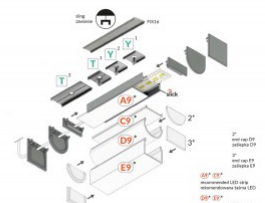
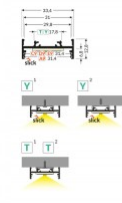
Brand [TOPMET](#)
Height 12.8mm
Width 33.4mm
Length 1000.0mm
Casing colour gray
Casing material aluminium



Aluminium profile TOPMET VARIO30-01 2m black

Product code 18470

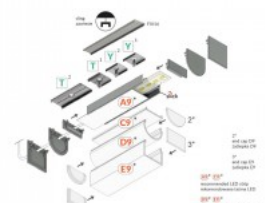
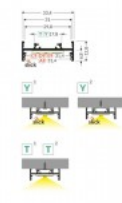
Brand [TOPMET](#)
Height 12.8mm
Width 33.4mm
Length 2000.0mm
Casing colour black
Casing material aluminium



Aluminium profile TOPMET VARIO30-01 2m gray

Product code 18469

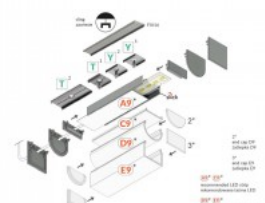
Brand [TOPMET](#)
Height 12.8mm
Width 33.4mm
Length 2000.0mm
Casing colour gray
Casing material aluminium



Aluminium profile TOPMET VARIO30-01 2m white

Product code 19405

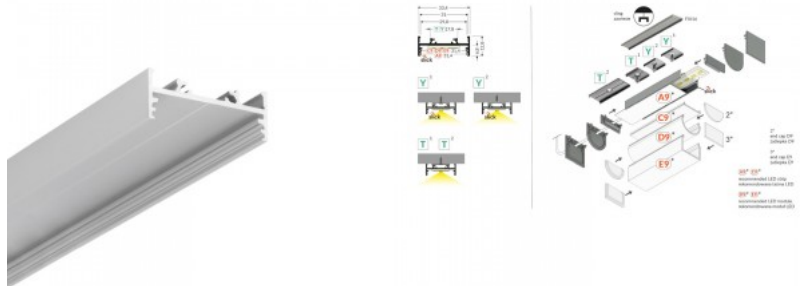
Brand [TOPMET](#)
Height 12.8mm
Width 33.4mm
Length 2000.0mm
Casing colour white
Casing material aluminium



Aluminium profile TOPMET VARIO30-01 3m gray

Product code 18484

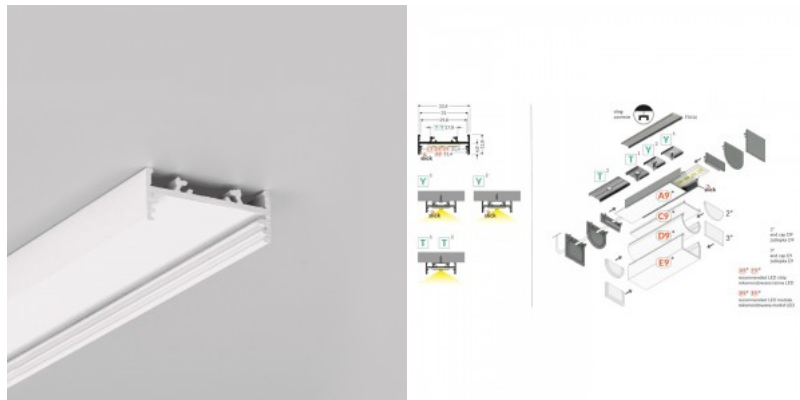
Brand [TOPMET](#)
Height 12.8mm
Width 33.4mm
Length 3000.0mm
Casing colour gray
Casing material aluminium



Aluminium profile TOPMET VARIO30-01 3m white

Product code 18485

Brand [TOPMET](#)
Height 12.8mm
Width 33.4mm
Length 3000.0mm
Casing colour white
Casing material aluminium



Aluminium profile TOPMET VARIO30-01 CDE-9/TY 3m black

Product code 19725

Brand [TOPMET](#)
Height 12.8mm
Width 33.4mm
Length 3000.0mm
Casing colour black
Casing material aluminium

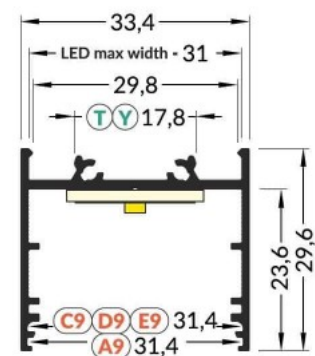


Aluminium profile TOPMET VARIO30-02 1m gray

Product code 18502

Brand [TOPMET](#)
 Height 29.6mm
 Width 33.4mm
 Length 1000.0mm
 Casing colour gray
 Casing material aluminium

A surface-mounted aluminum profile is a practical method for installing an LED strip effectively. With an aluminum profile, there is no risk of the LED strip shifting out of place, and the profile cover maintains uniform and cozy light distribution. The profile is durable yet lightweight, ensuring a long lifespan and stability. Installing a surface-mounted aluminum profile is very easy. An aluminum profile is ideal for use in many different rooms. In the kitchen, a high-power LED strip with an aluminum profile works well above the work surface. In the living room, this combination can create cozy accent lighting. High IP-rated products are perfect for bathrooms, and in retail, LED strips with aluminum profiles are ideal for highlighting products! Trust your lighting project to the experienced team of LED House - [let's bring your vision to life!](#)



Aluminium profile TOPMET VARIO30-02 2m black

Product code 18424

Brand [TOPMET](#)

Height 29.6mm

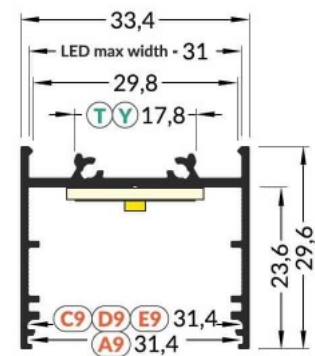
Width 33.4mm

Length 2000.0mm

Casing colour black

Casing material aluminium

A surface-mounted aluminum profile is a practical method for installing an LED strip effectively. With an aluminum profile, there is no risk of the LED strip shifting out of place, and the profile cover maintains uniform and cozy light distribution. The profile is durable yet lightweight, ensuring a long lifespan and stability. Installing a surface-mounted aluminum profile is very easy. An aluminum profile is ideal for use in many different rooms. In the kitchen, a high-power LED strip with an aluminum profile works well above the work surface. In the living room, this combination can create cozy accent lighting. High IP-rated products are perfect for bathrooms, and in retail, LED strips with aluminum profiles are ideal for highlighting products! Trust your lighting project to the experienced team of LED House - [let's bring your vision to life!](#)



Aluminium profile TOPMET VARIO30-02 2m white

Product code 15988

Brand [TOPMET](#)

Height 29.6mm

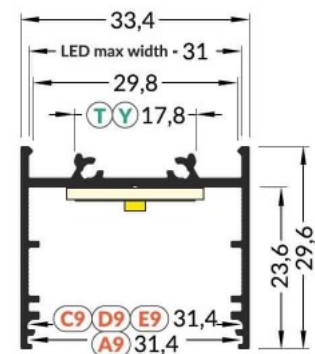
Width 33.4mm

Length 2000.0mm

Casing colour white

Casing material aluminium

A surface-mounted aluminum profile is a practical method for installing an LED strip effectively. With an aluminum profile, there is no risk of the LED strip shifting out of place, and the profile cover maintains uniform and cozy light distribution. The profile is durable yet lightweight, ensuring a long lifespan and stability. Installing a surface-mounted aluminum profile is very easy. An aluminum profile is ideal for use in many different rooms. In the kitchen, a high-power LED strip with an aluminum profile works well above the work surface. In the living room, this combination can create cozy accent lighting. High IP-rated products are perfect for bathrooms, and in retail, LED strips with aluminum profiles are ideal for highlighting products! Trust your lighting project to the experienced team of LED House - [let's bring your vision to life!](#)



Aluminium profile TOPMET VARIO30-02 2m. gray

Product code 18525

Brand [TOPMET](#)

Height 29.6mm

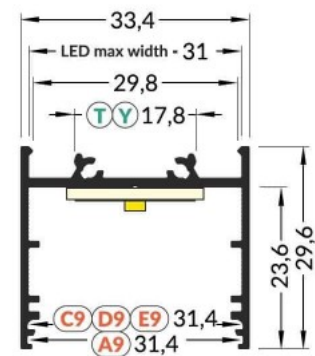
Width 33.4mm

Length 2000.0mm

Casing colour gray

Casing material aluminium

A surface-mounted aluminum profile is a practical method for installing an LED strip effectively. With an aluminum profile, there is no risk of the LED strip shifting out of place, and the profile cover maintains uniform and cozy light distribution. The profile is durable yet lightweight, ensuring a long lifespan and stability. Installing a surface-mounted aluminum profile is very easy. An aluminum profile is ideal for use in many different rooms. In the kitchen, a high-power LED strip with an aluminum profile works well above the work surface. In the living room, this combination can create cozy accent lighting. High IP-rated products are perfect for bathrooms, and in retail, LED strips with aluminum profiles are ideal for highlighting products! Trust your lighting project to the experienced team of LED House - [let's bring your vision to life!](#)



Aluminium profile TOPMET VARIO30-02 3m white

Product code 19619

Brand [TOPMET](#)

Height 29.6mm

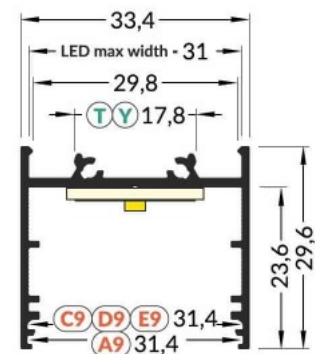
Width 33.4mm

Length 3000.0mm

Casing colour white

Casing material aluminium

A surface-mounted aluminum profile is a practical method for installing an LED strip effectively. With an aluminum profile, there is no risk of the LED strip shifting out of place, and the profile cover maintains uniform and cozy light distribution. The profile is durable yet lightweight, ensuring a long lifespan and stability. Installing a surface-mounted aluminum profile is very easy. An aluminum profile is ideal for use in many different rooms. In the kitchen, a high-power LED strip with an aluminum profile works well above the work surface. In the living room, this combination can create cozy accent lighting. High IP-rated products are perfect for bathrooms, and in retail, LED strips with aluminum profiles are ideal for highlighting products! Trust your lighting project to the experienced team of LED House - [let's bring your vision to life!](#)

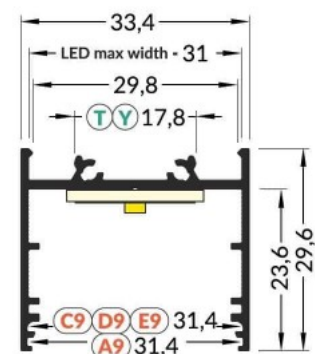


Aluminium profile TOPMET VARIO30-02 4m gray

Product code 18491

Brand [TOPMET](#)
 Height 29.6mm
 Width 33.4mm
 Length 4050.0mm
 Casing colour gray
 Casing material aluminium

A surface-mounted aluminum profile is a practical method for installing an LED strip effectively. With an aluminum profile, there is no risk of the LED strip shifting out of place, and the profile cover maintains uniform and cozy light distribution. The profile is durable yet lightweight, ensuring a long lifespan and stability. Installing a surface-mounted aluminum profile is very easy. An aluminum profile is ideal for use in many different rooms. In the kitchen, a high-power LED strip with an aluminum profile works well above the work surface. In the living room, this combination can create cozy accent lighting. High IP-rated products are perfect for bathrooms, and in retail, LED strips with aluminum profiles are ideal for highlighting products! Trust your lighting project to the experienced team of LED House - [let's bring your vision to life!](#)



Aluminium profile TOPMET VARIO30-02 ACDE-9/TY 3m black

Product code 19726

Brand [TOPMET](#)
 Length 3000.0mm
 Casing colour black
 Casing material aluminium

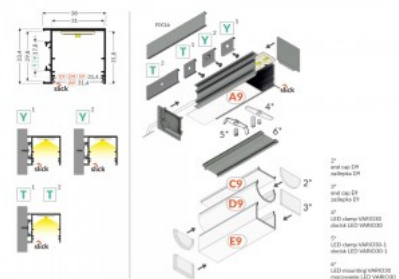
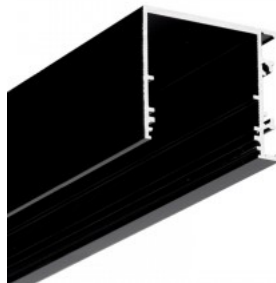


Aluminium profile TOPMET VARIO30-03 1m black

Product code 18495

Brand [TOPMET](#)
 Height 31.8mm
 Width 38.0mm
 Length 1000.0mm
 Casing colour black
 Casing material aluminium

A surface-mounted aluminum profile is a practical method for installing an LED strip effectively. With an aluminum profile, there is no risk of the LED strip shifting out of place, and the profile cover maintains uniform and cozy light distribution. The profile is durable yet lightweight, ensuring a long lifespan and stability. Installing a surface-mounted aluminum profile is very easy. An aluminum profile is ideal for use in many different rooms. In the kitchen, a high-power LED strip with an aluminum profile works well above the work surface. In the living room, this combination can create cozy accent lighting. High IP-rated products are perfect for bathrooms, and in retail, LED strips with aluminum profiles are ideal for highlighting products! Trust your lighting project to the experienced team of LED House - [let's bring your vision to life!](#)

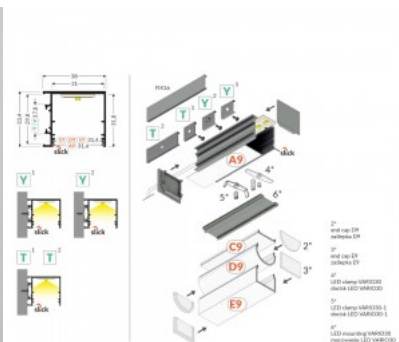


Aluminium profile TOPMET VARIO30-03 1m white

Product code 18497

Brand [TOPMET](#)
 Height 31.8mm
 Width 38.0mm
 Length 1000.0mm
 Casing colour white
 Casing material aluminium

A surface-mounted aluminum profile is a practical method for installing an LED strip effectively. With an aluminum profile, there is no risk of the LED strip shifting out of place, and the profile cover maintains uniform and cozy light distribution. The profile is durable yet lightweight, ensuring a long lifespan and stability. Installing a surface-mounted aluminum profile is very easy. An aluminum profile is ideal for use in many different rooms. In the kitchen, a high-power LED strip with an aluminum profile works well above the work surface. In the living room, this combination can create cozy accent lighting. High IP-rated products are perfect for bathrooms, and in retail, LED strips with aluminum profiles are ideal for highlighting products! Trust your lighting project to the experienced team of LED House - [let's bring your vision to life!](#)

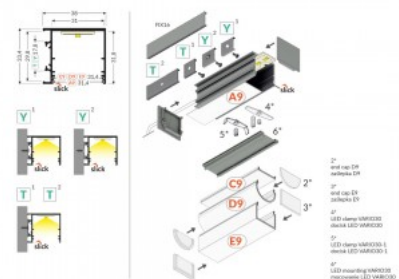
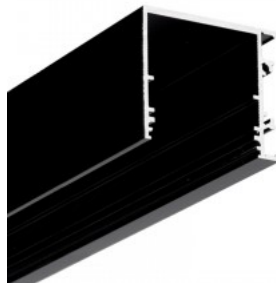


Aluminium profile TOPMET VARIO30-03 2m black

Product code 18425

Brand [TOPMET](#)
 Height 31.8mm
 Width 38.0mm
 Length 2000.0mm
 Casing colour black
 Casing material aluminium

A surface-mounted aluminum profile is a practical method for installing an LED strip effectively. With an aluminum profile, there is no risk of the LED strip shifting out of place, and the profile cover maintains uniform and cozy light distribution. The profile is durable yet lightweight, ensuring a long lifespan and stability. Installing a surface-mounted aluminum profile is very easy. An aluminum profile is ideal for use in many different rooms. In the kitchen, a high-power LED strip with an aluminum profile works well above the work surface. In the living room, this combination can create cozy accent lighting. High IP-rated products are perfect for bathrooms, and in retail, LED strips with aluminum profiles are ideal for highlighting products! Trust your lighting project to the experienced team of LED House - [let's bring your vision to life!](#)

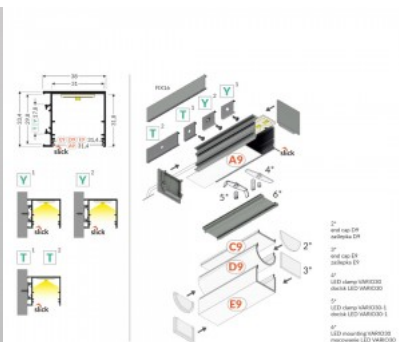


Aluminium profile TOPMET VARIO30-03 2m white

Product code 18459

Brand [TOPMET](#)
 Height 31.8mm
 Width 38.0mm
 Length 2000.0mm
 Casing colour white
 Casing material aluminium

A surface-mounted aluminum profile is a practical method for installing an LED strip effectively. With an aluminum profile, there is no risk of the LED strip shifting out of place, and the profile cover maintains uniform and cozy light distribution. The profile is durable yet lightweight, ensuring a long lifespan and stability. Installing a surface-mounted aluminum profile is very easy. An aluminum profile is ideal for use in many different rooms. In the kitchen, a high-power LED strip with an aluminum profile works well above the work surface. In the living room, this combination can create cozy accent lighting. High IP-rated products are perfect for bathrooms, and in retail, LED strips with aluminum profiles are ideal for highlighting products! Trust your lighting project to the experienced team of LED House - [let's bring your vision to life!](#)

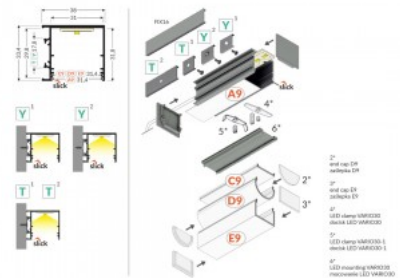
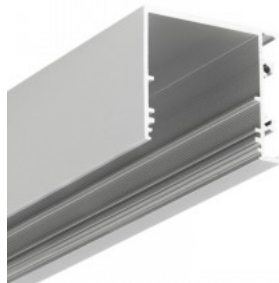


Aluminium profile TOPMET VARIO30-03 3m gray

Product code 18493

Brand [TOPMET](#)
 Height 31.8mm
 Width 38.0mm
 Length 3000.0mm
 Casing colour gray
 Casing material aluminium

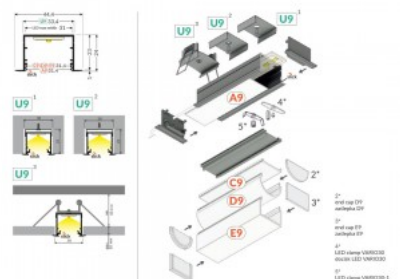
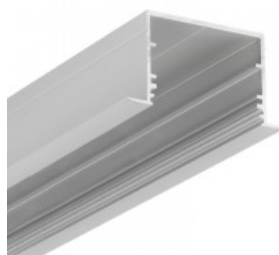
A surface-mounted aluminum profile is a practical method for installing an LED strip effectively. With an aluminum profile, there is no risk of the LED strip shifting out of place, and the profile cover maintains uniform and cozy light distribution. The profile is durable yet lightweight, ensuring a long lifespan and stability. Installing a surface-mounted aluminum profile is very easy. An aluminum profile is ideal for use in many different rooms. In the kitchen, a high-power LED strip with an aluminum profile works well above the work surface. In the living room, this combination can create cozy accent lighting. High IP-rated products are perfect for bathrooms, and in retail, LED strips with aluminum profiles are ideal for highlighting products! Trust your lighting project to the experienced team of LED House - [let's bring your vision to life!](#)



Aluminium profile TOPMET VARIO30-07 ACDE-9/U9 2m aluminum

Product code 20718

Brand [TOPMET](#)
 Length 2000.0mm
 Casing colour aluminum
 Casing material plastic



Aluminium profile TOPMET VARIO30-08 2m black

Product code 20100

Brand [TOPMET](#)
 Height 33.4mm
 Width 30.7mm
 Length 2000.0mm
 Casing colour black
 Casing material aluminium

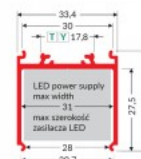


Aluminium profile TOPMET VARIO30-08 2m gray

Product code 18460

Brand [TOPMET](#)
 Height 33.4mm
 Width 33.4mm
 Length 2000.0mm
 Casing colour gray
 Casing material aluminium

A surface-mounted aluminum profile is a practical method for installing an LED strip effectively. With an aluminum profile, there is no risk of the LED strip shifting out of place, and the profile cover maintains uniform and cozy light distribution. The profile is durable yet lightweight, ensuring a long lifespan and stability. Installing a surface-mounted aluminum profile is very easy. An aluminum profile is ideal for use in many different rooms. In the kitchen, a high-power LED strip with an aluminum profile works well above the work surface. In the living room, this combination can create cozy accent lighting. High IP-rated products are perfect for bathrooms, and in retail, LED strips with aluminum profiles are ideal for highlighting products! Trust your lighting project to the experienced team of LED House - [let's bring your vision to life!](#)

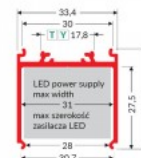


Aluminium profile TOPMET VARIO30-08 2m white

Product code 18426

Brand [TOPMET](#)
 Height 33.4mm
 Width 33.4mm
 Length 2000.0mm
 Casing colour white
 Casing material aluminium

A surface-mounted aluminum profile is a practical method for installing an LED strip effectively. With an aluminum profile, there is no risk of the LED strip shifting out of place, and the profile cover maintains uniform and cozy light distribution. The profile is durable yet lightweight, ensuring a long lifespan and stability. Installing a surface-mounted aluminum profile is very easy. An aluminum profile is ideal for use in many different rooms. In the kitchen, a high-power LED strip with an aluminum profile works well above the work surface. In the living room, this combination can create cozy accent lighting. High IP-rated products are perfect for bathrooms, and in retail, LED strips with aluminum profiles are ideal for highlighting products! Trust your lighting project to the experienced team of LED House - [let's bring your vision to life!](#)



Aluminium profile TOPMET VARIO30-08 3m black

Product code 20089

Brand [TOPMET](#)
 Height 33.4mm
 Width 30.7mm
 Length 3000.0mm
 Casing colour black
 Casing material aluminium



Aluminium profile TOPMET VARIO30-08 3m gray

Product code 18492

Brand [TOPMET](#)

Height 33.4mm

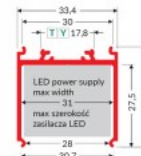
Width 33.4mm

Length 3000.0mm

Casing colour gray

Casing material aluminium

A surface-mounted aluminum profile is a practical method for installing an LED strip effectively. With an aluminum profile, there is no risk of the LED strip shifting out of place, and the profile cover maintains uniform and cozy light distribution. The profile is durable yet lightweight, ensuring a long lifespan and stability. Installing a surface-mounted aluminum profile is very easy. An aluminum profile is ideal for use in many different rooms. In the kitchen, a high-power LED strip with an aluminum profile works well above the work surface. In the living room, this combination can create cozy accent lighting. High IP-rated products are perfect for bathrooms, and in retail, LED strips with aluminum profiles are ideal for highlighting products! Trust your lighting project to the experienced team of LED House - [let's bring your vision to life!](#)

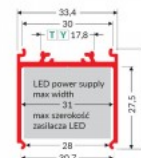


Aluminium profile TOPMET VARIO30-08 3m white

Product code 18530

Brand [TOPMET](#)
 Height 33.4mm
 Width 33.4mm
 Length 3000.0mm
 Casing colour white
 Casing material aluminium

A surface-mounted aluminum profile is a practical method for installing an LED strip effectively. With an aluminum profile, there is no risk of the LED strip shifting out of place, and the profile cover maintains uniform and cozy light distribution. The profile is durable yet lightweight, ensuring a long lifespan and stability. Installing a surface-mounted aluminum profile is very easy. An aluminum profile is ideal for use in many different rooms. In the kitchen, a high-power LED strip with an aluminum profile works well above the work surface. In the living room, this combination can create cozy accent lighting. High IP-rated products are perfect for bathrooms, and in retail, LED strips with aluminum profiles are ideal for highlighting products! Trust your lighting project to the experienced team of LED House - [let's bring your vision to life!](#)



Aluminium profile TOPMET VARIO30-09 3m black

Product code 20092

Brand [TOPMET](#)
 Height 3.0mm
 Width 33.4mm
 Length 3000.0mm
 Casing colour black
 Casing material aluminium

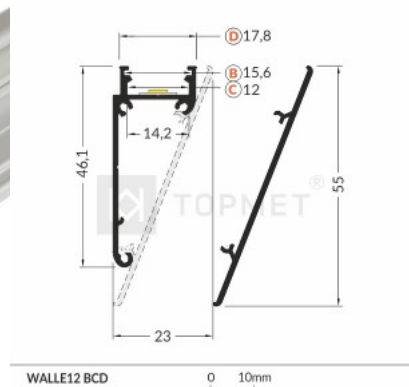


Aluminium profile TOPMET WALLE12 BCD 2m silver

Product code 16161

Brand [TOPMET](#)
Length 2000.0mm
Casing colour silver
Casing material aluminium

LED wall profile. To achieve a triangular set, the WALLE12 cover strip needs to be added.



Aluminium profile TOPMET WALLE12 cover 2m silver

Product code 16163

Brand [TOPMET](#)
Length 2000.0mm
Casing colour silver
Casing material aluminium

LED wall profile WALLE12 cover strip.

