

## Motion sensor EMOS G1110 230V IP20

**Product code 17090**

Brand [EMOS](#)

Supply voltage 230V

Maximum output 400W/1m

Protection class IP20

Height 22.0mm

Width 37.0mm

Length 55.0mm

Weight 65 g

In box 100pcs

Work environment indoor use

Certificates CE, RoHS



Detection distance 6 m Detection angle 360° Switching time 5 s, 30 s, 1 min, 3 min, 5 min, 8 min Sensor type PIR

## Motion sensor EMOS G1125 black 230V IP44

**Product code 17091**

Brand [EMOS](#)

Supply voltage 230V

Maximum output 300W/1m

Protection class IP44

Height 85.0mm

Width 75.0mm

Length 85.0mm

Weight 179 g

Casing colour black

Work environment indoor use

Certificates CE, RoHS



Detection distance 12m Detection angle 180° Switching time min. 10 seconds - max. 7 minutes Sensor type PIR

## Motion sensor EMOS G1160 white 230V IP20

**Product code 17092**

Brand [EMOS](#)

Supply voltage 230V

Maximum output 200W/1m

Protection class IP20

Height 75.0mm

Width 70.0mm

Length 70.0mm

Diameter 70.0mm

Installation opening diameter 45mm

Weight 126 g

Casing colour white

Work environment indoor use

Certificates CE, RoHS



Detection distance 6 m Detection angle 360° Switching time min. 10 sekunds – max. 15 minutes Sensor type PIR

## Motion sensor EMOS G1240 white 230V IP65

**Product code 17093**

Brand [EMOS](#)

Supply voltage 230V

Maximum output 600W/1m

Protection class IP65

Height 65.0mm

Width 65.0mm

Length 75.0mm

Casing colour white

Work environment indoor use

Certificates CE, RoHS



Detection distance 12 m Detection angle 180° Switching time min. 10 sekunds – max. 15 minutes Sensor type PIR

## Motion sensor ER-C gray 5-24V IP20

### Product code 18134

---

Supply voltage 5-24V  
Protection class IP20  
Length 18.0mm  
Diameter 26.0mm  
Installation opening diameter 20mm  
Casing colour gray  
Work environment indoor use  
Certificates CE  
Warranty 5 years

This motion sensor features a compact, concealed aluminum housing, making it suitable for various lighting solutions. The device operates on low-voltage power and provides a stable signal output. It detects movement within a specific range and angle, automatically turning on the light when motion is detected and switching it off when the area is vacant. Compatible with different lighting controllers, including stair lighting and dimming systems, it offers an intelligent and energy-efficient solution.



## Motion sensor HC005S/BT 230V IP20

## Product code 19617

Supply voltage 230V  
 Maximum output 400W/1m  
 Rated current 1700mA  
 Protection class IP20  
 Lifespan 50000h  
 Height 25.5mm  
 Width 39.9mm  
 Length 79.4mm  
 Weight 30 g  
 Casing material plastic  
 Work environment indoor use  
 Operation temperature -35 - + 70°C  
 Certificates CE  
 Warranty 5 years



A smart motion sensor that makes lighting control simple and energy-efficient. The device detects movement using microwave and Bluetooth technology and automatically turns lights on and off, operating only when needed. The HC005S/BT is easy to install and configure - you can adjust sensitivity, time delay, and light level according to your needs. With its long-lasting design, the device is a reliable solution for automating lighting in homes, offices, corridors, or other spaces.

## Motion sensor HD01S-9 230V IP20

### Product code 15585

Supply voltage 230V  
 Protection class IP20  
 Lifespan 50000h  
 Height 26.0mm  
 Width 37.0mm  
 Length 80.0mm  
 Casing material plastic  
 Work environment indoor use  
 Operation temperature -35 - + 70°C  
 Certificates CE  
 Warranty 5 years



## Motion sensor HS-360-16JW white 230V IP20

**Product code 22974**

Supply voltage 230V  
Maximum output 2000W/1m  
Protection class IP20  
Height 24.3mm  
Diameter 115.0mm  
Weight 106 g  
Casing colour white  
Casing material plastic  
Work environment indoor use  
Operation temperature -20 +40  C  
Certificates CE  
Warranty 3 years



Reliable motion sensor for indoor use. Ideal for corridors, stairwells, and other common areas, automatically switching the lighting on when motion is detected. Thanks to high-frequency technology, the sensor responds accurately and operates efficiently in various conditions.

## Motion sensor HYTRONIK HC402S/T 230V 400W IP20 TRIAC

**Product code 15063 TRIAC dimmable**

Brand [HYTRONIK](#)  
Supply voltage 230V  
Dimmable TRIAC  
Output 400W  
Maximum output 400W/1m  
Protection class IP20  
Height 70.0mm  
Diameter 80.0mm  
Installation opening diameter 72mm  
Casing material plastic  
Work environment indoor use  
Certificates CE  
Warranty 5 years



## Motion sensor LX06 white 230V IP20

### Product code 16036

---

Supply voltage 230V  
Maximum output 300W/1m  
Protection class IP20  
Height 60.0mm  
Diameter 118.0mm  
Weight 17 g  
In box 100pcs  
Casing colour white  
Work environment indoor use  
Operation temperature -20~40°C  
Certificates CE, RoHS  
Warranty 2 years



Surface motion sensor Working time  
10s-8min Installation height 2-4m  
Working radius 2-12m Identification  
angle 360 ° Maximum power LED  
300W.r

## Motion sensor LX41 white 230V IP20

### Product code 15852

---

Supply voltage 230V  
Maximum output 300W/1m  
Protection class IP20  
Height 75.0mm  
Diameter 76.0mm  
Installation opening diameter 62mm  
Weight 100 g  
In box 50pcs  
Casing colour white  
Work environment indoor use  
Operation temperature -20~40°C  
Certificates CE, RoHS



## Motion sensor LX42 230V IP20

**Product code 15851**

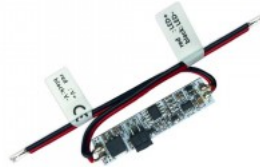
Supply voltage 230V  
Maximum output 100W/1m  
Protection class IP20  
Width 35.0mm  
Length 57.0mm  
Weight 40 g  
In box 100pcs  
Work environment indoor use  
Operation temperature -20~40°C  
Certificates CE, RoHS



## Motion sensor SKYDANCE 4A door sensor 12-24V

**Product code 17791**

Brand [SKYDANCE](#)  
Supply voltage 12-24V  
Height 7.5mm  
Width 11.0mm  
Length 50.0mm  
In package 1pc  
Casing material plastic  
Work environment indoor use  
Operation temperature -30° - +55°C  
Certificates CE, EMC, LVD, RoHS  
Warranty 5 years



Door sensor switch for LED strip.

## Motion sensor SKYDANCE Door sensor E1-L+ED 12-24V IP20

**Product code 16738**

Brand [SKYDANCE](#)  
Supply voltage 12-24V  
Output voltage 12-24V  
Maximum output 192W/1m  
Rated current 8000mA  
Protection class IP20  
Height 18.0mm  
Width 33.0mm  
Length 97.0mm  
Casing material plastic  
Work environment indoor use  
Operation temperature -30~55°C  
Certificates CE  
Warranty 5 years



## Motion sensor SKYDANCE Door sensor E1-L+EDC 12-24V IP20

**Product code 17940**

Brand [SKYDANCE](#)

Supply voltage 12-24V

Output voltage 12-24V

Maximum output 192W/1m

Rated current 8000mA

Protection class IP20

Height 18.0mm

Width 33.0mm

Length 97.0mm

Casing material plastic

Work environment indoor use

Operation temperature -30~55°C

Certificates CE

Warranty 5 years



## Motion sensor SKYDANCE Door sensor ED-VC 24V IP20

**Product code 17942**

Brand [SKYDANCE](#)

Supply voltage 24V

Maximum output 24W/1m

Rated current 1000mA

Protection class IP20

Height 31.5mm

Diameter 10.5mm

In package 1pc

Casing material plastic

Work environment indoor use

Operation temperature -30° - +50°C

Certificates CE, EMC, LVD

Warranty 5 years



## Motion sensor SKYDANCE E1-L 12-24V IP20

**Product code 19677**

Brand [SKYDANCE](#)

Supply voltage 12-24V

Output voltage 12-24V

Maximum output 192W/1m

Rated current 8000mA

Protection class IP20

Height 18.0mm

Width 33.0mm

Length 97.0mm

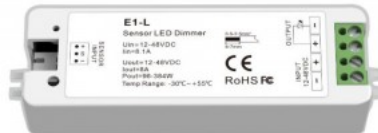
Casing material plastic

Work environment indoor use

Operation temperature -30~55°C

Certificates CE

Warranty 5 years



## Motion sensor SKYDANCE EH-R(WT) white 230V IP20 0-10V / RF

**Product code 18232 0-10V / RF dimmable**

Brand [SKYDANCE](#)

Supply voltage 230V

Dimmable 0-10V / RF

Protection class IP20

Height 51.0mm

Diameter 95.0mm

Installation opening diameter 86mm

Casing colour white

Work environment indoor use

Certificates CE

Warranty 5 years

A Ceiling-Mounted PIR Motion Sensor Switch is designed for efficient lighting control in indoor spaces such as offices, meeting rooms, and classrooms. This advanced sensor features a built-in daylight sensor for real-time detection of human motion and ambient light levels. It outputs a 0/1-10V signal, compatible with dimmable drivers, and operates with high voltage AC input, ensuring reliable performance. Lighting can be controlled effortlessly via the Tuya Smart APP, allowing adjustments to sensor sensitivity, hold time, stand-by time, and light sensing thresholds. Manual adjustments can also be made using three convenient knobs. The device functions as an RF remote, emitting a 2.4G signal for compatibility with RF LED controllers or dimmable drivers. This smart, versatile solution enhances indoor lighting experiences.



## Motion sensor SKYDANCE ER-AV 24V IP20

**Product code 17792**

Brand [SKYDANCE](#)

Supply voltage 24V

Maximum output 36W/1m

Rated current 1500mA

Protection class IP20

Height 30.0mm

Width 45.0mm

Length 80.0mm

In package 1pc

Casing material plastic

Work environment indoor use

Operation temperature -30° - +50°C

Certificates CE, EMC, LVD

Warranty 5 years



Скрытый ИК-датчик движения,  
выход с постоянным напряжением,  
подключается к низковольтной  
светодиодной ленте.

## Motion sensor SKYDANCE EW IP20

**Product code 19678**

Brand [SKYDANCE](#)

Maximum output 36W/1m

Protection class IP20

In package 1pc

Casing material plastic

Work environment indoor use

Operation temperature -30° - +50°C

Certificates CE, EMC, LVD

Warranty 5 years



## Motion sensor SKYDANCE Hand swipe switch E2-B CCT 12-24V 72W IP20

**Product code 19194**

Brand [SKYDANCE](#)

Supply voltage 12-24V

Output voltage 12-24V

Output 72W

Maximum output 72W/1m

Rated current 3000mA

Protection class IP20

Height 5.3mm

Width 10.0mm

Length 52.0mm

Weight 10 g

Casing material aluminium

Work environment indoor use

Operation temperature -30° - +55°C

Certificates CE, RoHS, LVD, emc

Warranty 5 years



Wave sensor switch. The switch requires at least a 5x8mm recess on the surface.

## Stair controller SKYDANCE Smooth connection to the stairs ES32 5-24V IP20

**Product code 16087**

Brand [SKYDANCE](#)

Supply voltage 5-24V

Output voltage 5-24V

Maximum output 768W/1m

Rated current 1000mA

Protection class IP20

Height 25.5mm

Width 68.0mm

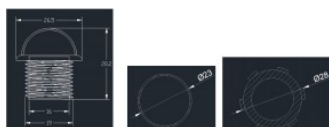
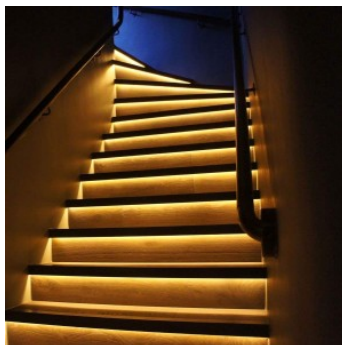
Length 186.0mm

Casing material plastic

Work environment indoor use

Certificates CE

Warranty 5 years



## Motion sensor SKYDANCE Viibutussensor switch E1-B 12-24V 12-24V 96W IP20

**Product code 17819**

Brand [SKYDANCE](#)

Supply voltage 12-24V

Output voltage 12-24V

Output 96W

Maximum output 96W/1m

Rated current 4000mA

Protection class IP20

Height 9.0mm

Width 4.9mm

Length 50.0mm

Weight 10 g

Casing material aluminium

Work environment indoor use

Operation temperature -30° - +55°C

Certificates CE, RoHS, LVD, emc

Warranty 5 years



Wave sensor switch. Automatic shut-off, with light adjustment capability. The switch requires at least a 5x8mm recess on the surface.

## Motion sensor STEINEL HF 360-2 white 230V IP20 DALI

**Product code 22407 DALI dimmable**

Brand [STEINEL](#)

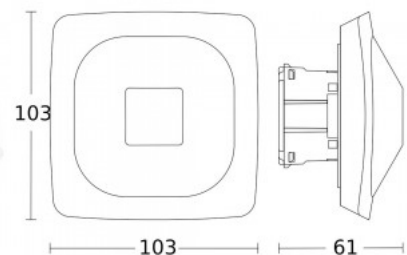
Supply voltage 230V

Dimmable DALI

Maximum output 2000W/1m

Protection class IP20

Casing colour white



## Presence detector STEINEL IR Quattro MICRO white 230V 1000W IP65

**Product code 19970**

Brand [STEINEL](#)  
Supply voltage 230V  
Output 1000W  
Maximum output 1000W/1m  
Protection class IP65  
Casing colour white



## Motion sensor STEINEL IS 240 DUO black 230V 1000W IP54

**Product code 22068**

Brand [STEINEL](#)  
Supply voltage 230V  
Output 1000W  
Maximum output 1000W/1m  
Protection class IP54  
Height 90.0mm  
Width 60.0mm  
Length 100.0mm  
Casing colour black



## Motion sensor STEINEL IS 240 DUO white 230V 1000W IP54

**Product code 22069**

Brand [STEINEL](#)  
Supply voltage 230V  
Output 1000W  
Maximum output 1000W/1m  
Protection class IP54  
Height 90.0mm  
Width 60.0mm  
Length 100.0mm  
Casing colour white



## Motion sensor STEINEL IS 345 white 230V IP54 DALI

**Product code 22432 DALI dimmable**

Brand [STEINEL](#)

Supply voltage 230V

Dimmable DALI

Maximum output 2000W/1m

Protection class IP54

Height 95.0mm

Width 95.0mm

Length 65.0mm

Casing colour white



## Motion sensor STEINEL IS345 MX Highbay 230V IP54 DALI

**Product code 19971 DALI dimmable**

Brand [STEINEL](#)

Supply voltage 230V

Dimmable DALI

Protection class IP54



## Motion sensor STEINEL TRUE PRESENCE KNX UP white 230V IP20

**Product code 19935**

Brand [STEINEL](#)

Supply voltage 230V

Maximum output 2000W/1m

Protection class IP20

Casing colour white

A high-end presence detector that detects human presence precisely and reliably – even when there is almost no movement. The device operates in the KNX system, enabling automatic control of lighting, ventilation, and other building functions. The concealed installation and white design allow the sensor to blend seamlessly into any interior.



## Motion sensor THEBEN LUXA S180BK black 230V IP55

**Product code 14339**

Brand [THEBEN](#)

Supply voltage 230V

Protection class IP55

Casing colour black

Casing material plastic

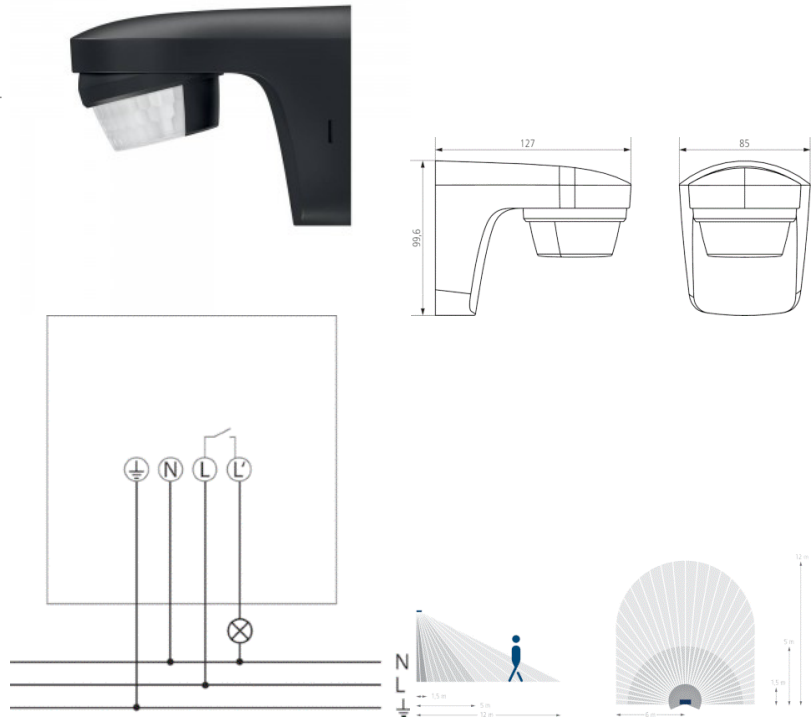
Polishing matt

Operation temperature -25 °C - +45°C

Certificates CE, RoHS

Warranty 2 years

Detection angle 180° Installation  
height 2 - 4 m Light switch-off delay 1  
s-20 min Theben AG Hohenbergstr. 32  
72401 Haigerloch GERMANY



## Motion sensor THEBEN LUXA S180WH white 230V IP55

**Product code 14361**

Brand [THEBEN](#)

Supply voltage 230V

Protection class IP55

Casing colour white

Casing material plastic

Operation temperature -25 °C - +45°C

Certificates CE, RoHS

Detection angle 180° Installation  
height 2 - 4 m Light switch-off delay 1  
s-20 min Theben AG Hohenbergstr. 32  
72401 Haigerloch GERMANY

